

POWER AMPLIFIER PC9501N SERVICE MANUAL



■ CONTENTS (目次)

SPECIFICATIONS (総合仕様).....	3/4
PANEL LAYOUT (パネルレイアウト).....	5
CIRCUIT BOARD LAYOUT (ユニットレイアウト).....	6
DIMENSIONS (寸法図).....	7
PERFORMANCE GRAPHS (特性図).....	8
DISASSEMBLY PROCEDURE (分解手順).....	9
NOTES ON WIRING (配線上の注意).....	14/15
LSI PIN DESCRIPTION (LSI 端子機能表).....	16
IC BLOCK DIAGRAM (IC ブロック図).....	17
CIRCUIT BOARDS (シート基板図).....	19
INSPECTIONS (検査).....	28/36
PARTS LIST	
BLOCK DIAGRAM (ブロックダイアグラム)	
WIRING DIAGRAM (基板結線図)	
OVERALL CIRCUIT DIAGRAM (総回路図)	

ECO-PULP



このサービスマニュアルはエコパルプ
エコパルプ (ECF: 無塩素系漂白パルプ) を使用しています。
This document is printed on chlorine free (ECF) paper.

PA 011767

200412-441000



HAMAMATSU, JAPAN

Copyright (c) Yamaha Corporation. All rights reserved. PDF-K006 M UP VIDEO '05.02

IMPORTANT NOTICE

This manual has been provided for the use of authorized Yamaha Retailers and their service personnel. It has been assumed that basic service procedures inherent to the industry, and more specifically Yamaha Products, are already known and understood by the users, and have therefore not been restated.

WARNING : Failure to follow appropriate service and safety procedures when servicing this product may result in personal injury, destruction of expensive components and failure of the product to perform as specified. For these reasons, we advise all Yamaha product owners that all service required should be performed by an authorized Yamaha Retailer or the appointed service representative.

IMPORTANT : This presentation or sale of this manual to any individual or firm does not constitute authorization certification, recognition of any applicable technical capabilities, or establish a principal-agent relationship of any form.

The data provided is believed to be accurate and applicable to the unit(s) indicated on the cover. The research engineering, and service departments of Yamaha are continually striving to improve Yamaha products. Modifications are, therefore, inevitable and changes in specification are subject to change without notice or obligation to retrofit. Should any discrepancy appear to exist, please contact the distributor's Service Division.

WARNING : Static discharges can destroy expensive components. Discharge any static electricity your body may have accumulated by grounding yourself to the ground bus in the unit (heavy gauge black wires connect to this bus).

IMPORTANT : Turn the unit OFF during disassembly and parts replacement. Recheck all work before you apply power to the unit.

WARNING: CHEMICAL CONTENT NOTICE!

The solder used in the production of this product contains LEAD. In addition, other electrical/electronic and/or plastic (Where applicable) components may also contain traces of chemicals found by the California Health and Welfare Agency (and possibly other entities) to cause cancer and/or birth defects or other reproductive harm.

DO NOT PLACE SOLDER, ELECTRICAL/ELECTRONIC OR PLASTIC COMPONENTS IN YOUR MOUTH FOR ANY REASON WHAT SO EVER!

Avoid prolonged, unprotected contact between solder and your skin! When soldering, do not inhale solder fumes or expose eyes to solder/flux vapor!

If you come in contact with solder or components located inside the enclosure of this product, wash your hands before handling food.

WARNING: THIS APPARATUS MUST BE EARTHED

IMPORTANT

THE WIRES IN THIS MAINS LEAD ARE COLOURED IN ACCORDANCE WITH THE FOLLOWING CODE:


GREEN-AND-YELLOW :	EARTH
BLUE :	NEUTRAL
BROWN :	LIVE


As the colours of the wires in the mains lead of this apparatus may not correspond with the coloured markings identifying the terminals in your plug, proceed as follows:

The wire which is coloured GREEN and YELLOW must be connected to the terminal in the plug which is marked by the letter E or by the safety earth symbol \perp or coloured GREEN and YELLOW. The wire which is coloured BLUE must be connected to the terminal which is marked with the letter N or coloured BLACK.

The wire which is coloured BROWN must be connected to the terminal which is marked with the letter L or coloured RED.

■ WARNING

Components having special characteristics are marked  and must be replaced with parts having specification equal to those originally installed.

 印の商品は、安全を維持するために重要な部品です。交換する場合は、安全のために必ず指定の部品をご使用ください。

* This applies only to products distributed by YAMAHA KEMBLE MUSIC (U.K.) LTD.

SPECIFICATIONS

Power output level (Rated power)		120 V (U, V, T)/240 V (A)	230 V (H, B, W, K, O)
1 kHz, THD+N=1 %	8 Ω/STEREO 4 Ω/STEREO 8 Ω/BRIDGE	1000 W x 2 1600 W x 2 3200 W	1050 W x 2 1650 W x 2 3300 W
20 Hz-20 kHz, THD+N=0.1 %	8 Ω/STEREO 4 Ω/STEREO 8 Ω/BRIDGE	925 W x 2 1400 W x 2 2800 W	950 W x 2 1500 W x 2 3000 W
1 kHz, 20 mS nonclip	2 Ω/STEREO 4 Ω/BRIDGE	2300 W x 2 4600 W	2300 W x 2 4600 W
Power bandwidth		10 Hz-40 kHz (THD+N=0.5 %)	
Half power			
Total harmonic distortion (THD+N)		≤0.1 %	
20 Hz-20 kHz, Half power			
Frequency response	MAX	0 dB	
RL=8 Ω, Po=1 W,	TYP	0 dB	
f=20 Hz-50 kHz	MIN	-1 dB	
Intermodulation distortion (IMD)		≤0.1 %	
60 Hz:7 kHz, 4:1, Half power			
Channel separation		≥70 dB	
Half power, RL=8 Ω, 1 kHz,			
Vol. max., Input 600 Ω shunt			
Residual noise		≥-70 dBu	
Vol. min., 20 Hz-20 kHz (DIN AUDIO)			
SN ratio		106 dB	
20 Hz-20 kHz (DIN AUDIO)			
Damping factor		≥800	
RL=8 Ω, f=1 kHz			
Sensitivity		+9 dBu	
Vol. max., Rated power into 8 Ω			
Voltage gain		32 dB	
Vol. max.	TYP		
Maximum input voltage	MIN	+22 dBu	
Input impedance	TYP	20 kΩ/Balanced, 10 kΩ/Unbalanced	
Controls	Front panel	POWER switch (ON/OFF) Volume (31 positions) /ch	
	Rear panel	MODE switch (STEREO/BRIDGE/PARALLEL) HPF switch (ON/OFF) /ch fc=20 Hz 12 dB/octave DIP switch (6P)	
Connectors	Input	XLR-3-31 type /ch Euroblock connector (balance) /ch	
	Output	SPEKON /ch, 5-way binding posts	
	Network	RJ45 x 2	
	Power	AC inlet	
Indicators	POWER/STAND-BY	Green/Orange	
	PROTECTION	Red	
	TEMP	Red (heatsink temp≥85°C)	
	REMOTE	Green	
Level meters		10 points LED meter /ch	
Load protection		POWER switch ON muting, DC detection	
Amp. protection		Temp. detection (heatsink temp≥90°C), VI limiter (RL≤1 Ω)	
Limiter		Comp.: THD≥0.5 %	
Cooling		Dual variable-speed fan	
Power requirements	U, V, T	120 V, 60 Hz	
	H, B, W, K, O	230 V, 50/60 Hz	
	A	240 V, 50/60 Hz	
Power consumption	Idling	55 W	
	Output power, 4 Ω	750 W (U, V, T)/1000 W (A)	1100 W (H, B, W, K, O)
Dimensions (W x H x D)		480 x 88 x 456 mm	
Weight		13 kg	
Accessories		Power cord, Security cover, Owner's manual, 3-pin Euroblock connector x 2	

0 dBu=0.775 Vrms, Half power=1/2 Output power (3 dB below rated power)

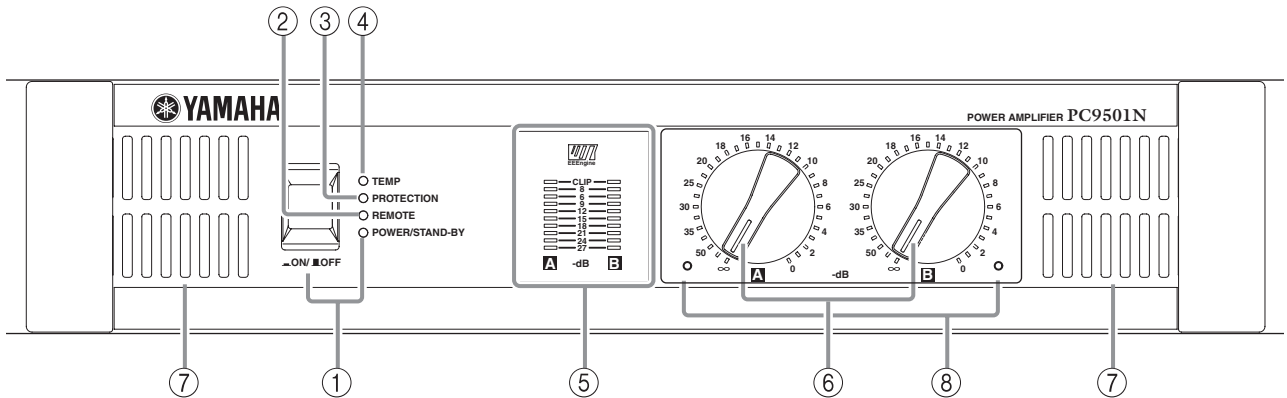
■ 総合仕様

出力レベル 1kHz、THD + N = 1%	8Ω/STEREO 4Ω/STEREO 8Ω/BRIDGE	1000W × 2 1500W × 2 3000W
20Hz ~ 20kHz、THD + N = 0.1%	8Ω/STEREO 4Ω/STEREO 8Ω/BRIDGE	900W × 2 1300W × 2 2600W
1kHz、20mS nonclip	2Ω/STEREO 4Ω/BRIDGE	2200W × 2 4400W
出力帯域幅 Half power		10Hz ~ 40kHz (THD + N=0.5%)
全高調波帯域 (THD + N) 20Hz ~ 20kHz、Half power		≤ 0.1%
周波数特性 RL = 8Ω、Po = 1W、 f = 20Hz ~ 50kHz	MAX TYP MIN	0dB 0dB - 1dB
混変調歪率 (IMD) 60Hz : 7kHz、4 : 1、Half power		≤ 0.1%
チャンネルセパレーション Half power、RL = 8Ω、1kHz、 ボリューム最大、入力 600Ω シャント		≥ 70dB
残留ノイズ ボリューム最小、20Hz ~ 20kHz (DIN AUDIO)		≤ - 70dBu
SN 比 20Hz ~ 20kHz (DIN AUDIO)		106dB
ダンピングファクター RL = 8Ω、f = 1kHz		≥ 800
入力感度 ボリューム最大、Rated power : 8Ω		+ 9dBu
ボルテージゲイン ボリューム最大	TYP	32dB
最大許容入力電圧	MIN	+ 22dBu
入力インピーダンス	TYP	20kΩ / バランス型、10kΩ / アンバランス型
コントロール	フロントパネル リアパネル	POWER スイッチ (ON/OFF) ボリューム (31 ポジション) MODE スイッチ (STEREO/BRIDGE/PARALLEL) HPF スイッチ (ON/OFF) fc=20Hz 12dB/octave DIP スイッチ (6P)
コネクター	入力 出力 ネットワーク	XLR-3-31 タイプ ユーロブロックコネクター (バランス) スピコン、5 ウェイ・バイディング・ポスト RJ45 × 2
インジケーター	POWER/STAND-BY PROTECTION TEMP REMOTE	緑 / オレンジ 赤 赤 (ヒートシンク温度 ≥ 85 °C) 緑
レベルメーター		10 ポイント LED メーター
ロードプロテクション		POWER スイッチオンミュート、DC 検出
アンププロテクション		温度検出 (ヒートシンク温度 ≥ 90 °C)、VI リミッター (RL ≤ 1Ω)
リミッター		コンプ : THD ≥ 0.5%
クーリング		連続可変式ファン
電源		100V、50/60Hz
消費電力	無信号 規定出力、4Ω	55W 950W
最大外形寸法 (W × H × D)		480 × 88 × 456mm
重量		13kg
付属品		セキュリティカバー、取扱説明書、3ピンユーロブロックコネクター × 2

0 dBu=0.775 Vrms, Half power=1/2 Output power (3 dB below rated power)

■ PANEL LAYOUT (パネルレイアウト)

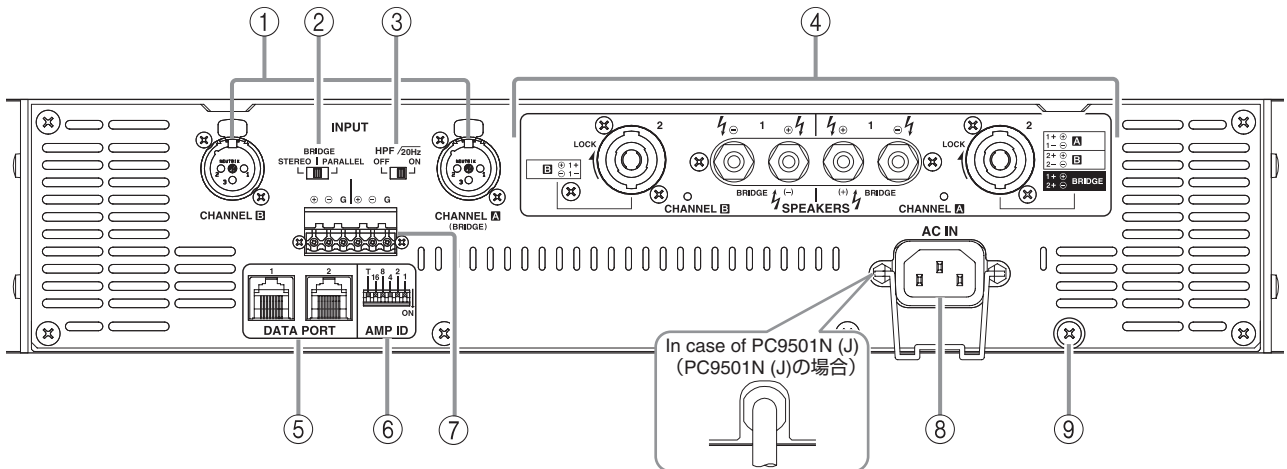
• Front Panel (フロントパネル)



- ① POWER/STAND-BY switch and indicator
- ② REMOTE indicator
- ③ PROTECTION indicator
- ④ TEMP indicator
- ⑤ Level meters
- ⑥ Volume knobs
- ⑦ Air intakes
- ⑧ Security cover

- ① POWER/STAND-BY スイッチ、インジケータ
- ② REMOTE インジケータ
- ③ PROTECTION インジケータ
- ④ TEMP インジケータ
- ⑤ レベルメータ
- ⑥ ボリュームツマミ
- ⑦ 吸気口
- ⑧ セキュリティカバー

• Rear Panel (リアパネル)

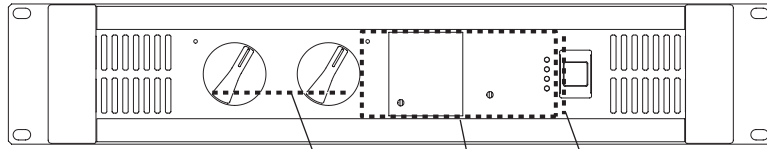


- ① XLR inputs
- ② MODE switch
- ③ HPF /20 Hz switches
- ④ SPEAKERS jacks
- ⑤ DATA PORT jacks
- ⑥ AMP ID switch
- ⑦ Euroblock connector
- ⑧ AC inlet (except PC9501N (J))
- ⑨ GND terminals

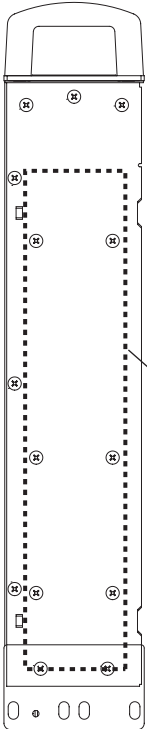
- ① XLR 入力端子
- ② MODE スイッチ
- ③ HPF /20 Hz スイッチ
- ④ SPEAKERS 端子
- ⑤ DATA PORT 端子
- ⑥ AMP ID スイッチ
- ⑦ ユーロブロックコネクタ
- ⑧ AC インレット (PC9501N (J) を除く)
- ⑨ GND 端子

■ CIRCUIT BOARD LAYOUT (ユニットレイアウト)

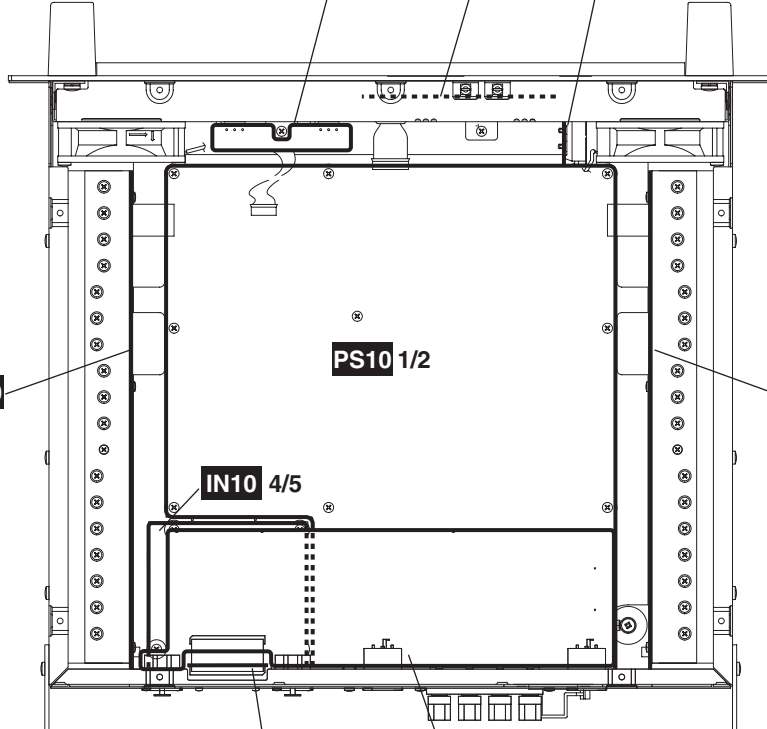
• Front View (正面図)



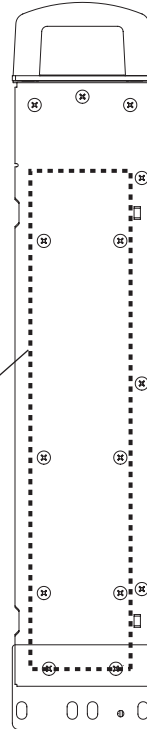
• Side View (側面図)



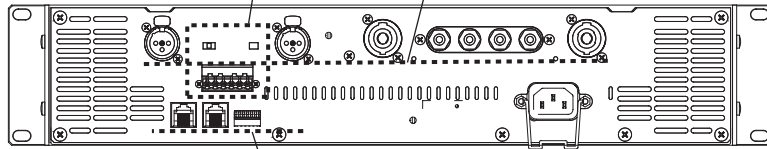
• Top View (上面図)



• Side View (側面図)



• Rear View (背面図)



IN10 3/5 IN10 2/5 PS10 2/2

PA10 Bch

PS10 1/2

IN10 4/5

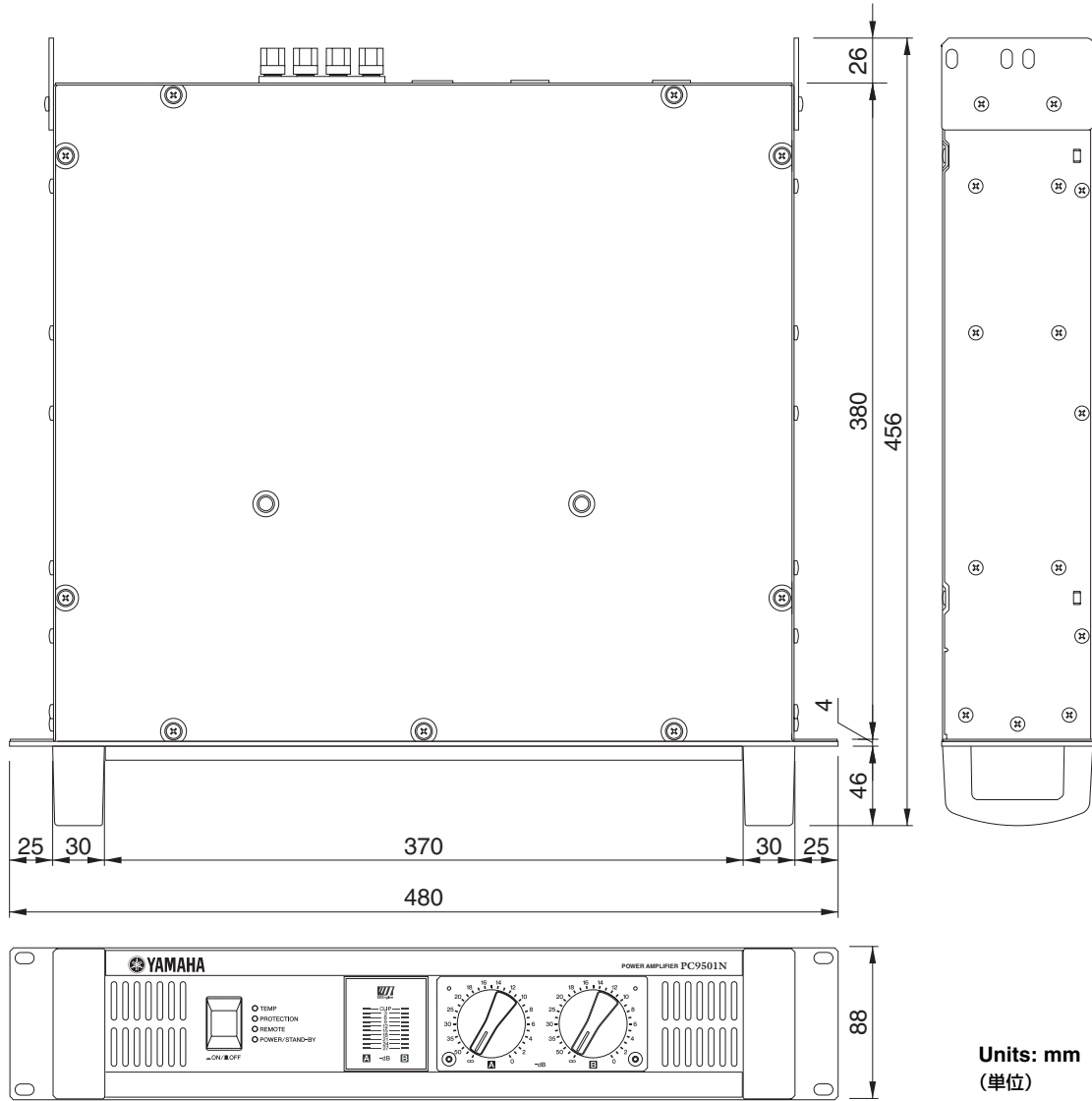
PA10 Ach

IN10 5/5

IN10 1/5

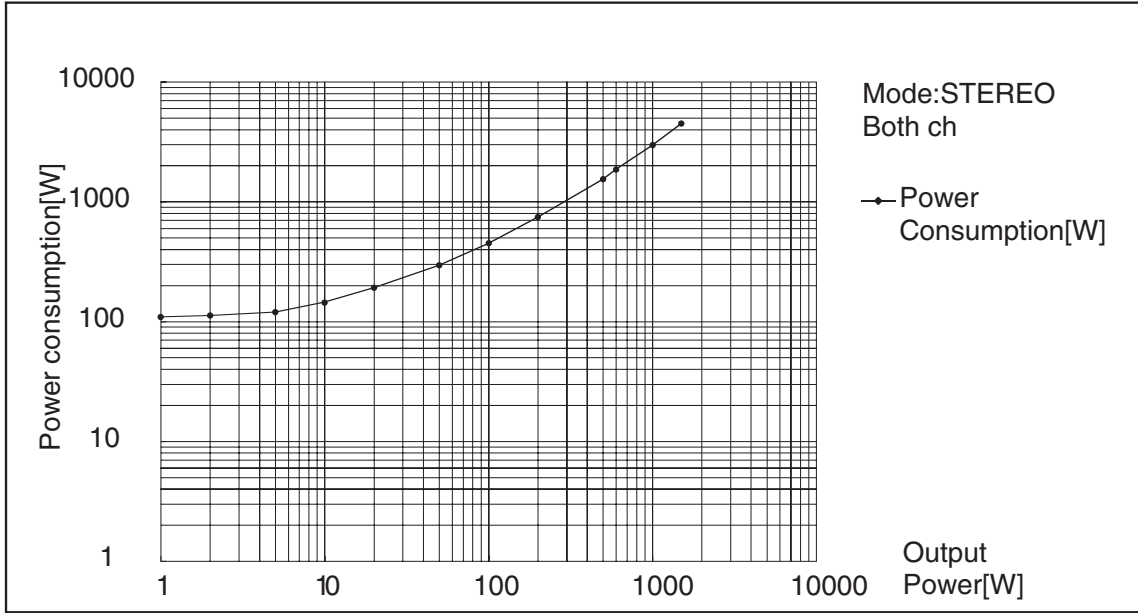
IN10 4/5

■ DIMENSIONS (寸法図)



Units: mm
(単位)

■ PERFORMANCE GRAPHS (特性図)



■ DISASSEMBLY PROCEDURE (分解手順)

1. Top Cover (Time required: about 2 minutes)

- 1-1. Remove the nine (9) screws marked [280]. The top cover can then be removed. (Fig. 1)

2. Rear Assembly (Time required: about 4 minutes)

- 2-1. Remove the top cover. (See Procedure 1.)
 2-2. Remove the six (6) screws marked [240]. The rear assembly can then be removed. (Fig. 2)

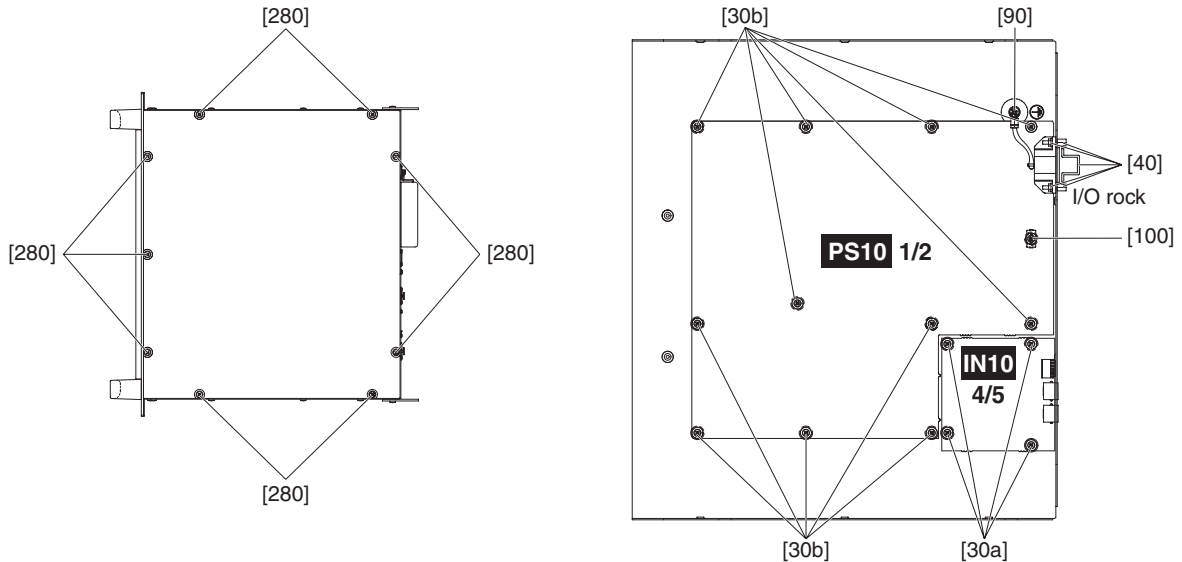
* With PC9501N of the J specification, remove the screw marked [90]. (Fig.1)

1. トップカバー (所要時間：約2分)

- 1-1. [280]のネジ9本を外し、トップカバーを外します。(図1)

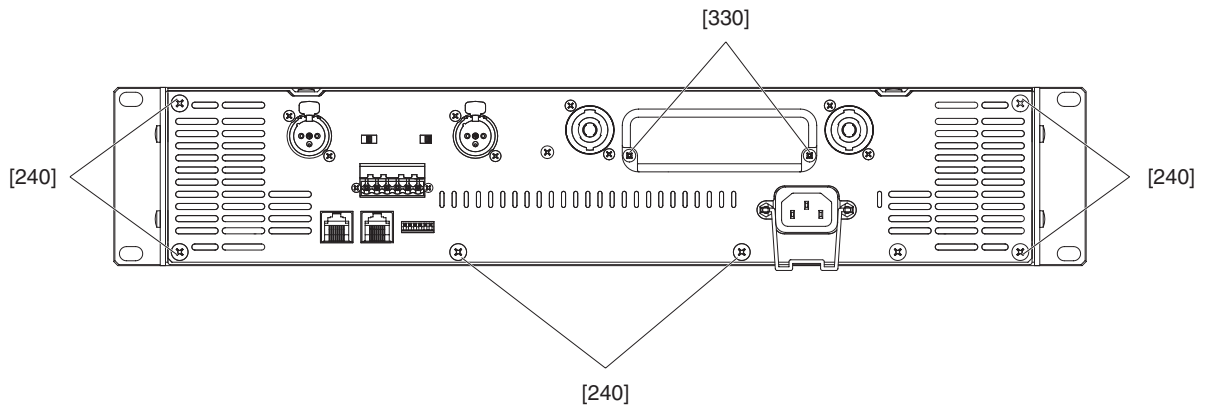
2. リア Ass'y (所要時間：約4分)

- 2-1. トップカバーを外します。(1項参照)
 2-2. [240]のネジ6本を外し、リア Ass'y を外します。(図2)
 * PC9501N (J) 仕向は [90] のネジを外します。(図1)



[30]: Bind Head Tapping Screw-B 3.0X8 MFZN2BL (EP600190) + バインド B タイト
 [90]: Bind Head Screw 4.0X8 MFZN2BL (EG340360) + バインド小ネジ
 [100]: Bind Head Tapping Screw-B 3.0X8 MFZN2BL (EP600190) + バインド B タイト
 [280]: Bonding Tapping Screw-B 4.0X8 MFZN2BL (VR779900) ボンディング B タイト

Fig.1 (図1)



[240]: Bonding Tapping Screw-B 4.0X8 MFZN2BL (VR779900) ボンディング B タイト
 [330]: Bind Head Tapping Screw-B 3.0X8 MFZN2BL (EP600190) + バインド B タイト

Fig.2 (図2)

3. IN10 1/5 Circuit Board (Time required: about 5 minutes)

- 3-1. Remove the top cover. (See Procedure 1.)
- 3-2. Remove the rear assembly. (See Procedure 2.)
- 3-3. Remove the two (2) screws marked [330] and then remove the SP terminal cover. (Fig. 2)
- 3-4. Remove the one (1) screw marked [R70], two (2) screws marked [R80], four (4) screws marked [R90] and four (4) screws marked [R100]. The IN10 1/5 circuit board can then be removed. (Fig. 3)

4. IN10 4/5 Circuit Board (Time required: about 5 minutes)

- 4-1. Remove the top cover. (See Procedure 1.)
- 4-2. Remove the rear assembly. (See Procedure 2.)
- 4-3. Remove the four (4) screws marked [30a]. The IN10 4/5 circuit board can then be removed. (Fig. 1)

5. IN10 5/5 Circuit Board (Time required: about 3 minutes)

- 5-1. Remove the top cover. (See Procedure 1.)
- 5-2. Remove the two (2) screws marked [R60]. The IN10 5/5 circuit board can then be removed. (Fig. 3)

3. IN10 1/5 シート (所要時間: 約5分)

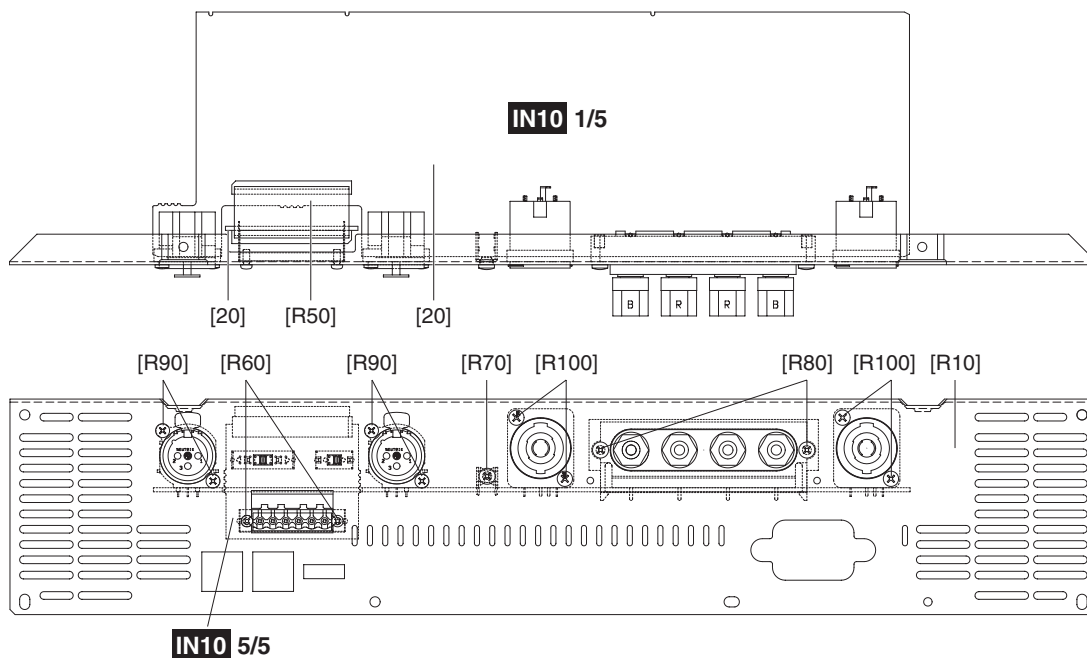
- 3-1. トップカバーを外します。(1項参照)
- 3-2. リア Ass'y を外します。(2項参照)
- 3-3. [330]のネジ2本を外し、S P ターミナルカバーを外します。(図2)
- 3-4. [R70]のネジ1本と、[R80]のネジ2本、[R90]のネジ4本、[R100]のネジ4本を外し、IN10 1/5 シートを外します。(図3)

4. IN10 4/5 シート (所要時間: 約5分)

- 4-1. トップカバーを外します。(1項参照)
- 4-2. リア Ass'y を外します。(2項参照)
- 4-3. [30a]のネジ4本を外し、IN10 4/5シートを外します。(図1)

5. IN10 5/5 シート (所要時間: 約3分)

- 5-1. トップカバーを外します。(1項参照)
- 5-2. [R60]のネジ2本を外し、IN10 5/5シートを外します。(図3)



- [R60]: Pan Head Screw 2.6X6 MFZN2BL (VC990500) + ナベ小ネジ
 [R70]: Bonding Tapping Screw-B 3.0X8 MFZN2BL (VN413300) ボンディング B タイト
 [R80]: Bind Head Tapping Screw-B 3.0X12 MFZN2BL (VQ074600) + バインド B タイト
 [R90]: Bind Head Tapping Screw-B 2.6X8 MFZN2BL (VB096700) + バインド B タイト
 [R100]: Flat Head Tapping 3.0X8 MFZN2BL (EP600790) + 皿 B タイト

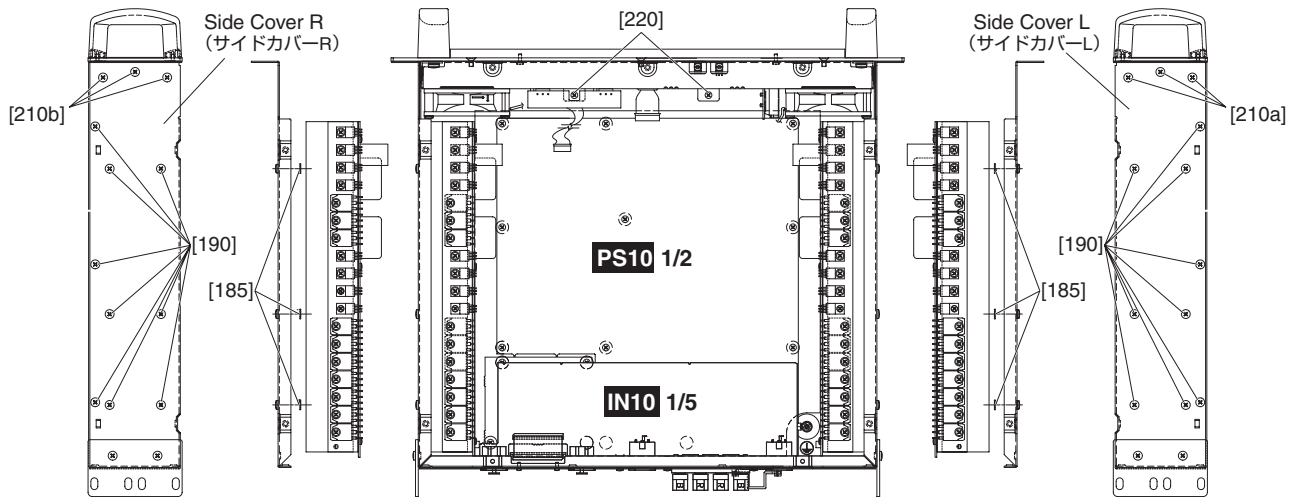
Fig.3 (図3)

6. Front Panel Assembly (Time required: about 4 minutes)

- 6-1. Remove the three (3) screws marked [210a] from the side cover L, three (3) screws marked [210b] from the side cover R and two (2) screws marked [220]. The front panel assembly can then be removed. (Fig. 4)

6. フロントパネル Ass'y (所要時間: 約4分)

- 6-1. サイドカバー L [210a]のネジ3本とサイドカバー R [210b]のネジ3本を外し、[220]のネジ2本を外し、フロントパネル Ass'y を外します。(図4)



[185]: Flat Washer 4X9X0.8 MFZN2BL (VP367000) 平座金みがき丸
 [190]: Bonding Tapping Screw-B 4.0X8 MFZN2BL (VR779900) ボンディング B タイト
 [210]: Bonding Tapping Screw-B 4.0X8 MFZN2BL (VR779900) ボンディング B タイト
 [220]: Bind Head Tapping Screw-B 3.0X8 MFZN2BL (EP600190) + バインド B タイト

Fig.4 (図 4)

7. DC Fan (Time required: about 4 minutes)

- 7-1. Remove the top cover. (See Procedure 1.)
- 7-2. Remove the front panel assembly. (See Procedure 6.)
- 7-3. Remove the two (2) screws marked [F30] from the DC fan and then remove the fan. Use the same for both right and left fans. (Fig. 5)

7. DC ファン (所要時間：約 4 分)

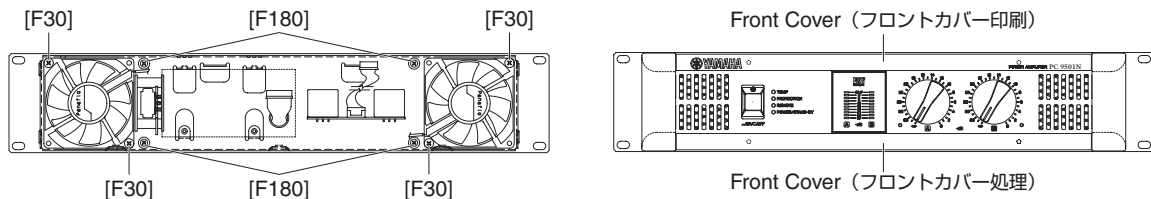
- 7-1. トップカバーを外します。(1項参照)
- 7-2. フロントパネル Ass'y を外します。(6項参照)
- 7-3. DCファンの[F30]のネジ2本を外し、ファンを外します。左右とも同じ方法で外せます。(図5)

8. Power Switch (Time required: about 8 minutes)

- 8-1. Remove the top cover. (See Procedure 1.)
- 8-2. Remove the front panel assembly. (See Procedure 6.)
- 8-3. Remove the DC fans. (See Procedure 7.)
- 8-4. Remove the four (4) screws marked [F180] and then remove the two front covers. (Fig. 5)
- 8-5. Remove the six (6) screws marked [F150] and then remove the front panel. (Fig. 6)
- 8-6. Remove the power switch knob and the two (2) screws marked [F40]. The power switch (PS10 2/2 circuit board mount) can then be removed. (Fig. 6)
- 8-7. Remove the power switch from the PS10 2/2 circuit board.

8. パワースイッチ (所要時間：約 8 分)

- 8-1. トップカバーを外します。(1項参照)
- 8-2. フロントパネル Ass'y を外します。(6項参照)
- 8-3. DCファンを外します。(7項参照)
- 8-4. [F180]のネジ4本を外し、フロントカバー印刷及びフロントカバー処理を2ヶ所外します。(図5)
- 8-5. [F150]のネジ6本を外し、フロントパネルを外します。(図6)
- 8-6. パワースイッチノブを外し、[F40]のネジ2本を外し、パワースイッチ (PS10 2/2シートにマウント) を外します。(図6)
- 8-7. PS10 2/2シートからパワースイッチを外します。



[F30]: Bind Head Screw 4.0X30 MFZN2BL (VT229100) + バインド小ネジ
 [F180]: Bind Head Tapping Screw-B 3.0X8 MFZN2BL (EP600190) + バインド B タイト

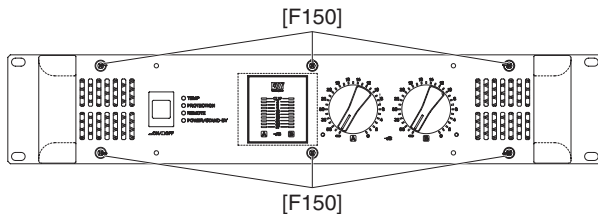
Fig.5 (図 5)

9. IN10 2/5 Circuit Board (Time required: about 4 minutes)

- 9-1. Remove the top cover. (See Procedure 1.)
- 9-2. Remove the front panel assembly. (See Procedure 6.)
- 9-3. Remove the DC fans. (See Procedure 7.)
- 9-4. Remove the four (4) screws marked [F180] and then remove the two front covers. (Fig. 5)
- 9-5. Remove the six (6) screws marked [F150] and then remove the front panel. (Fig. 6)
- 9-6. Remove the two (2) screws marked [F70]. The IN10 2/5 circuit board can then be removed. (Fig. 6)

10. IN10 3/5 Circuit Board (Time required: about 4 minutes)

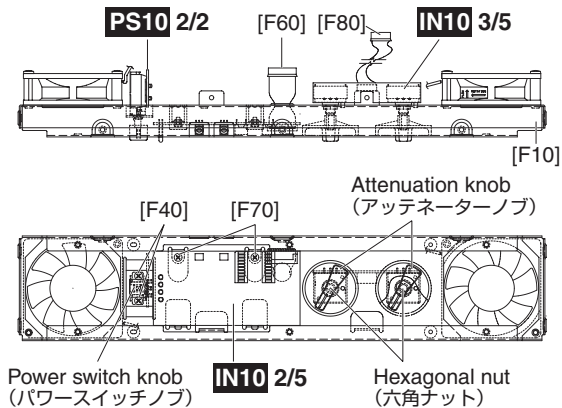
- 10-1. Remove the top cover. (See Procedure 1.)
- 10-2. Remove the front panel assembly. (See Procedure 6.)
- 10-3. Remove the DC fans. (See Procedure 7.)
- 10-4. Remove the two front covers. (See Step 9-4.)
- 10-5. Remove the front panel. (See Step 9-5.)
- 10-6. Remove the two (2) attenuation knobs A/B and two (2) hexagonal nuts. The IN10 3/5 circuit board can then be removed. (Fig. 6)

**9. IN10 2/5 シート (所要時間: 約4分)**

- 9-1. トップカバーを外します。(1項参照)
- 9-2. フロントパネル Ass'y を外します。(6項参照)
- 9-3. DCファンを外します。(7項参照)
- 9-4. [F180]のネジ4本を外し、フロントカバー印刷及びフロントカバー処理を2ヶ所外します。(図5)
- 9-5. [F150]のネジ6本を外し、フロントパネルを外します。(図6)
- 9-6. [F70]のネジ2本を外し、IN10 2/5シートを外します。(図6)

10. IN10 3/5 シート (所要時間: 約4分)

- 10-1. トップカバーを外します。(1項参照)
- 10-2. フロントパネル Ass'y を外します。(6項参照)
- 10-3. DCファンを外します。(7項参照)
- 10-4. フロントカバー印刷及びフロントカバー処理を2ヶ所外します。(9-4.項参照)
- 10-5. フロントパネルを外します。(9-5.項参照)
- 10-6. アッテネーターノブ A/Bのつまみ2ヶとVRの六角ナット2ヶを外し、IN10 3/5シートを外します。(図6)



[F40]: Bind Head Screw 3.0X6 MFZN2BL (EG330360) + バインド小ネジ

[F70]: Bind Head Tapping Screw-B 3.0X8 MFZN2BL (EP600190) + バインド B タイト

[F150]: Flat Head Screw 4.0X8 MFZN2BL (VA221200) + 皿小ネジ

Fig.6 (図6)

11. PA Unit (Time required: about 7 minutes)

- 11-1. Remove the rear assembly. (See Procedure 2.)
 - 11-2. Remove the top cover. (See Procedure 1.)
 - 11-3. Remove the nine (9) screws marked [190] and three (3) screws marked [210]. The side cover and PA unit can then be removed. Use the same method for both A and B channels. (Fig. 4)
- * Flat washers marked [185] are attached between the side cover and PA unit. Take care not to lose flat washers marked [185] when removing screws marked [190].

11. PA ユニット (所要時間: 約7分)

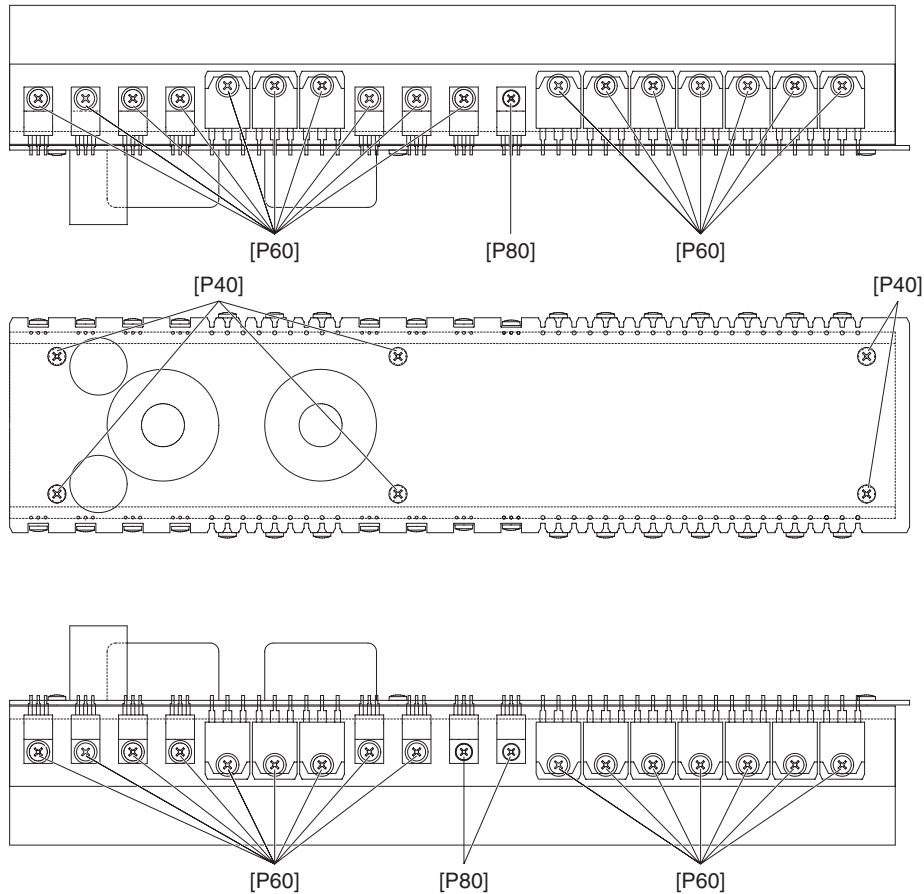
- 11-1. リア Ass'y を外します。(2項参照)
 - 11-2. トップカバーを外します。(1項参照)
 - 11-3. [190]のネジ9本と[210]のネジ3本を外し、サイドカバーを外し、PAユニットを外します。A、Bチャンネルとも同じ方法で外れます。(図4)
- * PAユニットとサイドカバーの間には、平座金[185]があります。[190]のネジを外すときは、[185]の平座金を紛失しないよう注意してください。

12. PA10 Circuit Board (Time required: about 11 minutes)

- 12-1. Remove the top cover. (See Procedure 1.)
 12-2. Remove the PA unit. (See Procedure 11.)
 12-3. Remove 33 screws marked [P60] fixing the pair transistor, FET and diode, three (3) screws marked [P80] and six (6) screws marked [P40]. The PA10 circuit board can then be removed. (Fig. 7)

12. PA10 シート (所要時間: 約 11 分)

- 12-1. トップカバーを外します。(1項参照)
 12-2. PAユニットを外します。(11項参照)
 12-3. ペアトランジスター、FET とダイオードの止めネジ [P60] 33本と [P80] のネジ3本、[P40] のネジ6本を外し、PA10シートを外します。(図7)



[P40]: Bind Head Screw 3.0X6 MFZN2BL (EG330360) + バインド小ネジ
 [P60]: Bind Head Screw-SP 3.0X12 MFZN2Y (VB763800) + バインド小ネジ
 [P80]: Bind Head Screw-SP 2.6X8 MFZN2Y (EG320240) + バインド小ネジ

Fig.7 (図7)

13. PS10 Circuit Board (Time required: about 8 minutes)

- 13-1. Remove the top cover. (See Procedure 1.)
 13-2. Remove the front panel assembly. (See Procedure 6.)
 13-3. Remove the rear assembly. (See Procedure 2.)
 13-4. Remove the eleven (11) screws marked [30b], one (1) screw marked [100] and one (1) screw marked [90] and then release the I/O rock marked [40]. The PS10 circuit board can then be removed. (Fig. 1)
 [40]: PC9501N (J) is not used.

13. PS10 シート (所要時間: 約 8 分)

- 13-1. トップカバーを外します。(1項参照)
 13-2. フロントパネル Ass'y を外します。(6項参照)
 13-3. リア Ass'y を外します。(2項参照)
 13-4. [30b] のネジ11本と [100] のネジ1本と [90] のネジ1本を外し、[40] の I/O ロックを外し、PS10シートを外します。(図1)
 [40]: PC9501N (J) は使用していません。

Arrange the black and brown wires under the tube [250], and fix the wires and tube with the cord holder [260].

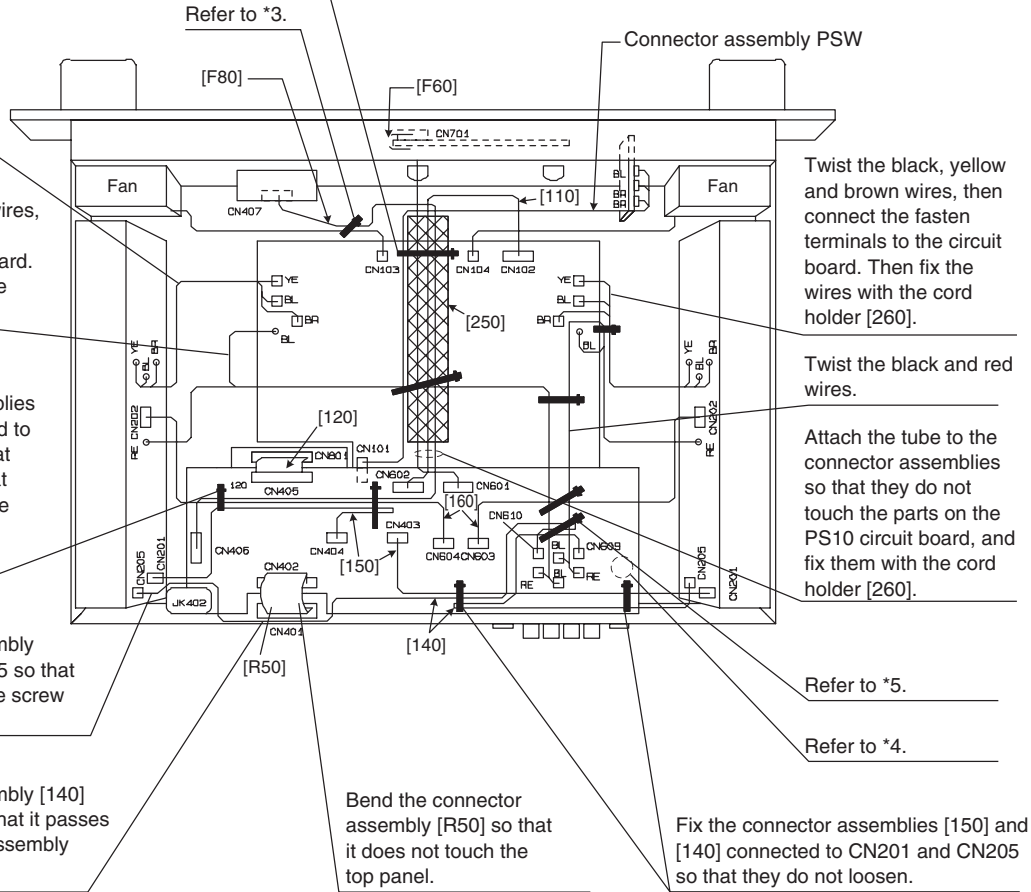
Twist the black, yellow and brown wires, then connect the fasten terminals to the circuit board.

Twist the black and red wires, then connect the fasten terminals to the circuit board. Then fix the wires with the cord holder [260].

Fix the connector assemblies [150] and [F80] connected to CN201 and CN406 so that they do not touch the heat sink of the PA unit and the parts on the PS10 circuit board.

Wire the connector assembly [140] connected to CN205 so that it does not pass under the screw hole of JK402.

Wire the connector assembly [140] connected to CN205 so that it passes between the connector assembly [R50] and the rear panel.



Twist the black, yellow and brown wires, then connect the fasten terminals to the circuit board. Then fix the wires with the cord holder [260].

Twist the black and red wires.

Attach the tube to the connector assemblies so that they do not touch the parts on the PS10 circuit board, and fix them with the cord holder [260].

Refer to *5.

Refer to *4.

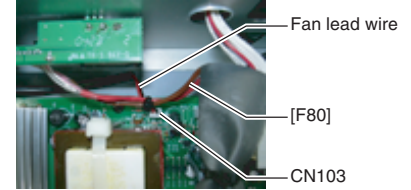
Bend the connector assembly [R50] so that it does not touch the top panel.

Fix the connector assemblies [150] and [140] connected to CN201 and CN205 so that they do not loosen.

- [110]: Connector Assembly PH&PH 9P 350L (VN667700)
- [120]: Connector Assembly 37P 60mm P=1.25 (MF137060)
- [140]: Connector Assembly IN (WD522000)
- [150]: Connector Assembly IN3 (WD522100)
- [160]: Connector Assembly TE (WD522300)
- [250]: Tube BLACK D=18 (--)
- [260]: Cord Holder BK-1 (CB069250)
- [F60]: Connector Assembly PH&PH 11P 310L (WD521900)
- [F80]: Connector Assembly ATT (--)
- [R50]: Connector Assembly 35P 60mm P=1.25 (MF135060)

*(--): Not available as spare parts.

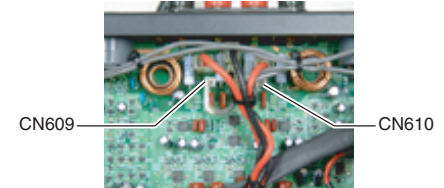
- *1 The **†** mark indicates the cord holder.
- *2 Attach the connector assemblies [120] and [R50] with the character upside.
- *3 Fix the connector assembly [F80] and the fan lead wire connected to CN103 with the cord holder [260]. Make sure to fix them at the position close to CN103.



- *4 For PC9501N (J), connect the black wire of the AC cord [60] to CN111 and the white wire to CN112.



- *5 Run the connector assembly [140] connected to CN609 and CN610 through under two red wires and two black wires, and fix them with the cord holder [260].



黒、茶の線材をスミチューブ [250] の下に配置し、インシュロックタイ [260] で固定します。

黒、黄、茶の線材は1~2回よじってからファストン端子を接続します。

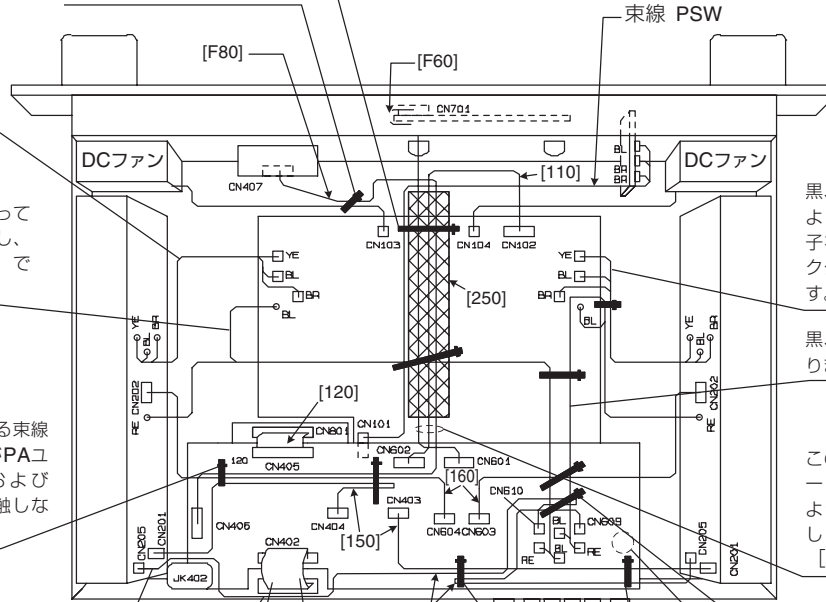
黒、赤の束線は1~2回よじってからファストン端子を接続し、インシュロックタイ [260] で固定します。

CN201、CN406に接続する束線 [150] および [F80] がPAユニットのヒートシンクおよびPS10シート内の部品に接触しないよう結束します。

CN205に接続する束線 [140] がJK402上のネジ穴の下を通過しないように配線します。

CN205に接続する束線 [140] がカード電線C&C [R50] とリアパネルの間を通過するように配線します。

※3を参照してください。



黒、黄、茶の束線は1~2回よじってからファストン端子を接続し、インシュロックタイ [260] で固定します。

黒、赤の束線を1~2回よじります。

この部分の束線がPS10シート内の部品に接触しないようにスミチューブを装着し、インシュロックタイ [260] で固定します。

※5を参照してください。

※4を参照してください。

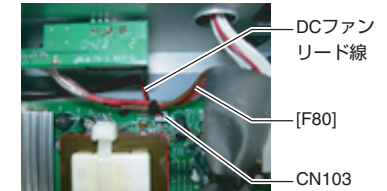
カード電線C&C [R50] が天板に接触しないように曲げておきます。

CN201、CN205に接続する束線 [150] および [140] がたるまないように結束します。

- [110]: Connector Assembly PH&PH 9P 350L (VN667700) 束線 #28
- [120]: Connector Assembly 37P 60mm P=1.25 (MF137060) カード電線 C&C
- [140]: Connector Assembly IN (WD522000) 束線 IN
- [150]: Connector Assembly IN3 (WD522100) 束線 IN3
- [160]: Connector Assembly TE (WD522300) 束線 TE
- [250]: Tube BLACK D=18 (-) スミチューブ
- [260]: Cord Holder BK-1 (CB069250) インシュロックタイ
- [F60]: Connector Assembly PH&PH 11P 310L (WD521900) 束線 #28
- [F80]: Connector Assembly ATT (-) 束線 ATT
- [R50]: Connector Assembly 35P 60mm P=1.25 (MF135060) カード電線 C&C

※ (-): サービス用部品として準備されていません。

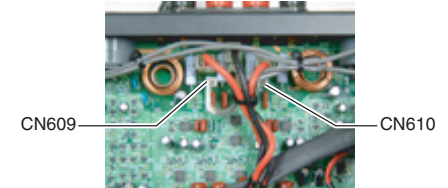
- ※1 図中の↑はインシュロックタイを示しています。
- ※2 カード電線C&C [120] および [R50] は文字面が上になるよう取り付けます。
- ※3 CN103に接続する束線 [F80] とDCファンリード線をインシュロックタイ [260] で結束します。このとき、なるべくCN103に近い位置で結束します。



- ※4 PC9501N (J) では、電源コード [60] の黒線をCN111、白線をCN112に取り付けます。



- ※5 CN609、CN610に接続する束線 [140] は赤2本、黒2本の線の下を通し、インシュロックタイ [260] で固定します。



LSI PIN DESCRIPTION (LSI 端子機能表)

• HD64F7044F28V (X5719B00) CPU

IN10: IC801

PIN NO.	NAME	I/O	FUNCTION	PIN NO.	NAME	I/O	FUNCTION
1	PE1/TIOC4C/DACK0/AH	I/O	Port E / MTU I/O / DMA transfer strobe / Address hold	57	PD11/D11	I/O	Port D / Data bus
2	PE15/TIOC4D/DACK1/IRQOUT	I/O	Port E / MTU I/O / DMA transfer strobe / Interrupt request output	58	PD10/D10	I/O	
3	Vss	I	Ground	59	PD9/D9	I/O	Ground
4	PC0/A0	O	Port C / Address bus	60	PD8/D8	I/O	
5	PC1/A1	O					
6	PC2/A2	O					
7	PC3/A3	O					
8	PC4/A4	O					
9	PC5/A5	O					
10	PC6/A6	O					
11	PC7/A7	O					
12	PC8/A8	O					
13	PC9/A9	O					
14	PC10/A10	O					
15	PC11/A11	O					
16	PC12/A12	O					
17	PC13/A13	O					
18	PC14/A14	O					
19	PC15/A15	O					
20	PB0/A16	O	Port B / Address bus	76	NMI	I	Non-maskable interrupt request
21	Vcc	I	Power supply	77	Vcc	I	Power supply
22	PB1/A17	O	Port B / Address bus	78	MD1	I	Mode set
23	Vss	I	Ground	79	MD0	I	
24	PB2/IRQ0/POE0/RAS	I/O	Port B / Interrupt request / Port output enable / Row address strobe	80	PLLvcc	I	PLL power supply
25	PB3/IRQ1/POE1/CASL	I/O	Port B / Interrupt request / Port output enable / Lower column address strobe	81	PLLCAP	I	PLL capacitance
26	PB4/IRQ2/POE2/CASH	I/O	Port B / Interrupt request / Port output enable / Upper column address strobe	82	PLLvss	I	PLL ground
27	Vss	I	Ground	83	PA15/CK	O	Port A / System clock
28	PB5/IRQ3/POE3/RDWR	I/O	Port B / Interrupt request / Port output enable / DRAM read/write	84	RES	I	Power-on reset
29	PB6/IRQ4/A18/BACK	I/O	Port B / Interrupt request / Address bus / Bus request acknowledge	85	PE0/TIOC0A/DREQ0	I/O	Port E / MTU I/O / DMA transfer request
30	PB7/IRQ5/A19/BREQ	I/O	Port B / Interrupt request / Address bus / Bus request	86	PE1/TIOC0B/DRAK0	I/O	Port E / MTU I/O / DREQ request acknowledgement
31	PB8/IRQ6/A20/WAIT	I/O	Port B / Interrupt request / Address bus / Wait	87	PE2/TIOC0C/DREQ1	I/O	Port E / MTU I/O / DMA transfer request
32	PB9/IRQ7/A21/ADTRG	I/O	Port B / Interrupt request / Address bus / A/D conversion trigger input	88	PE3/TIOC0D/DRAK1	I/O	Port E / MTU I/O / DREQ request acknowledgement
33	Vss	I	Ground	89	PE4/TIOC1A	I/O	Port E / MTU I/O
34	PA14/RD	I	Port A / Read	90	Vss	I	Ground
35	WDTOVF	O	Watchdog time overflow	91	PF0/AN0	I	Port F / Analog input
36	PA13/WRH	O	Port A / Upper write	92	PF1/AN1	I	
37	Vcc	I	Power supply	93	PF2/AN2	I	
38	PA12/WRL	O	Port A / Lower write	94	PF3/AN3	I	
39	Vss	I	Ground	95	PF4/AN4	I	
40	PA11/CS1	O	Port A / Chip select	96	PF5/AN5	I	
41	PA10/CS0	O					
42	PA9/TCLKD/IRQ3	I	Port A / MTU timer clock input / Interrupt request	97	AVss	I	Analog ground
43	PA8/TCLKC/IRQ2	I					
44	PA7/TCLKB/CS3	I/O	Port A / MTU timer clock input / Chip select	98	PF6/AN6	I	Port F / Analog input
45	PA6/TCLKA/CS2	I/O					
46	PA5/SCK1/DREQ1/IRQ1	I/O	Port A / Serial clock / DMA transfer request / Interrupt request	99	PF7/AN7	I	
47	PA4/TXD1	O	Port A / Data transmission	100	AVcc	I	Analog power supply
48	PA3/RXD1	I	Port A / Data reception	101	Vss	I	Ground
49	PA2/SCK0/DREQ0/IRQ0	I/O	Port A / Serial clock / DMA transfer request / Interrupt request	102	PE5/TIOC1B	I/O	Port E / MTU I/O
50	PA1/TXD0	O	Port A / Data transmission	103	Vcc	I	Power supply
51	PA0/RXD0	I	Port A / Data reception	104	PE6/TIOC2A	I/O	Port E / MTU I/O
52	PD15/D15	I/O	Port D / Data bus	105	PE7/TIOC2B	I/O	
53	PD14/D14	I/O					
54	PD13/D13	I/O					
55	Vss	I	Ground	106	PE8/TIOC3A	I/O	
56	PD12/D12	I/O	Port D / Data bus	107	PE9/TIOC3B	I/O	
				108	PE10/TIOC3C	I/O	
				109	Vss	I	Ground
				110	PE11/TIOC3D	I/O	Port E / MTU I/O
				111	PE12/TIOC4A	I/O	
				112	PE13/TIOC4B/MRES	I/O	Port E / MTU I/O / Manual reset

■ IC BLOCK DIAGRAM (IC ブロック図)

- **NJM4558M (TE2) (X5804A00)**

IN10: IC601~IC606

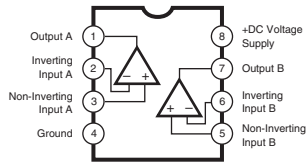
- **NJM2068M-D (TE2) (X3505A00)**

IN10: IC402~IC407, IC410, IC901~IC906

- **M5238AFP (X6317A00)**

IN10: IC401

OP AMP

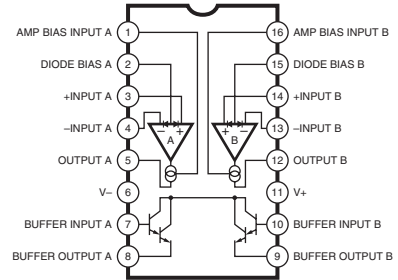


- **NJM13600M (TE2) (X5042A00)**

IN10: IC409

OP AMP

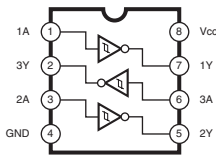
(Operational Transconductance Amplifier)



- **TC7WH14FU (XY806A00)**

IN10: IC804

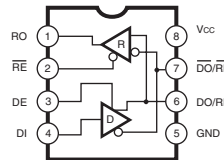
INVERTER



- **DS36276M (X2155A00)**

IN10: IC802

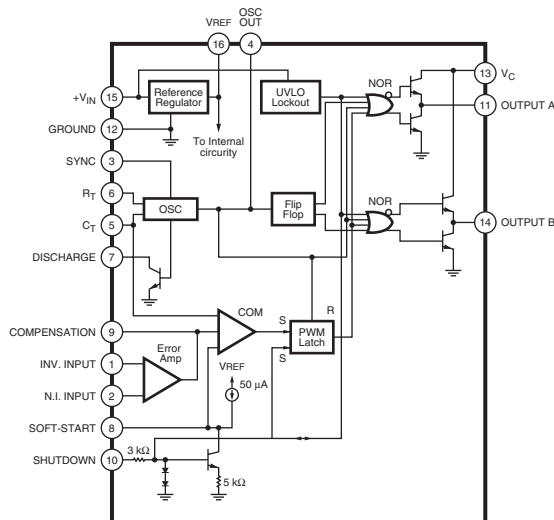
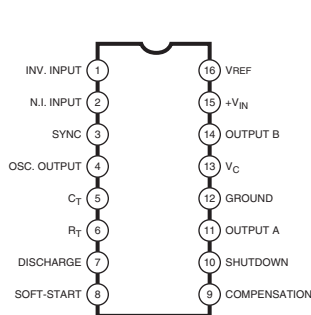
TRANSCEIVER



- **UC3525AN (X5952A00)**

PS10: IC101

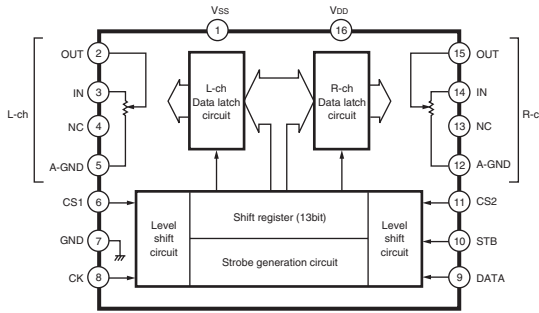
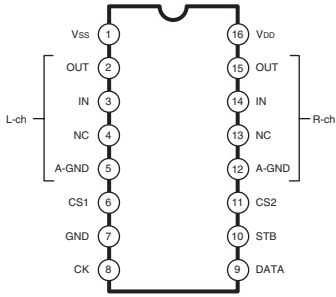
REGULATOR



• **TC9413AP (X2101A00)**

IN10: IC408

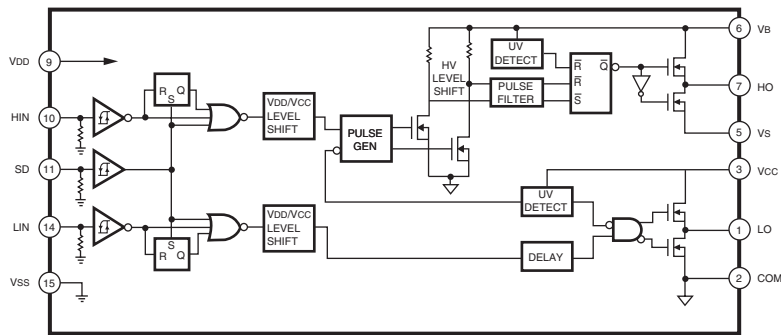
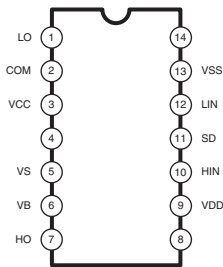
VOLUME



• **IR2110 (X2382A00)**

PS10: IC103, IC104

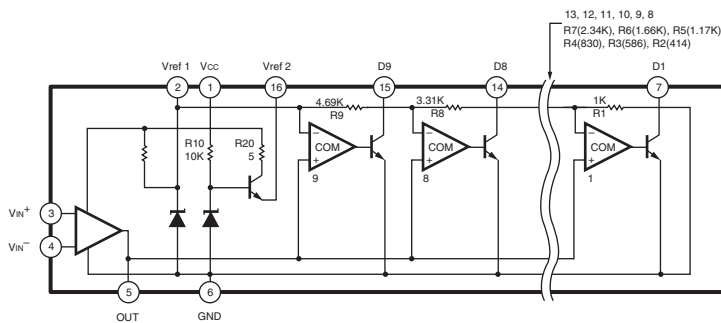
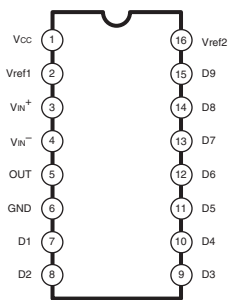
DRIVER



• **LB1409M (X0654A00)**

IN10: IC701, IC702

LED DRIVE



■ CIRCUIT BOARDS (シート基板図)

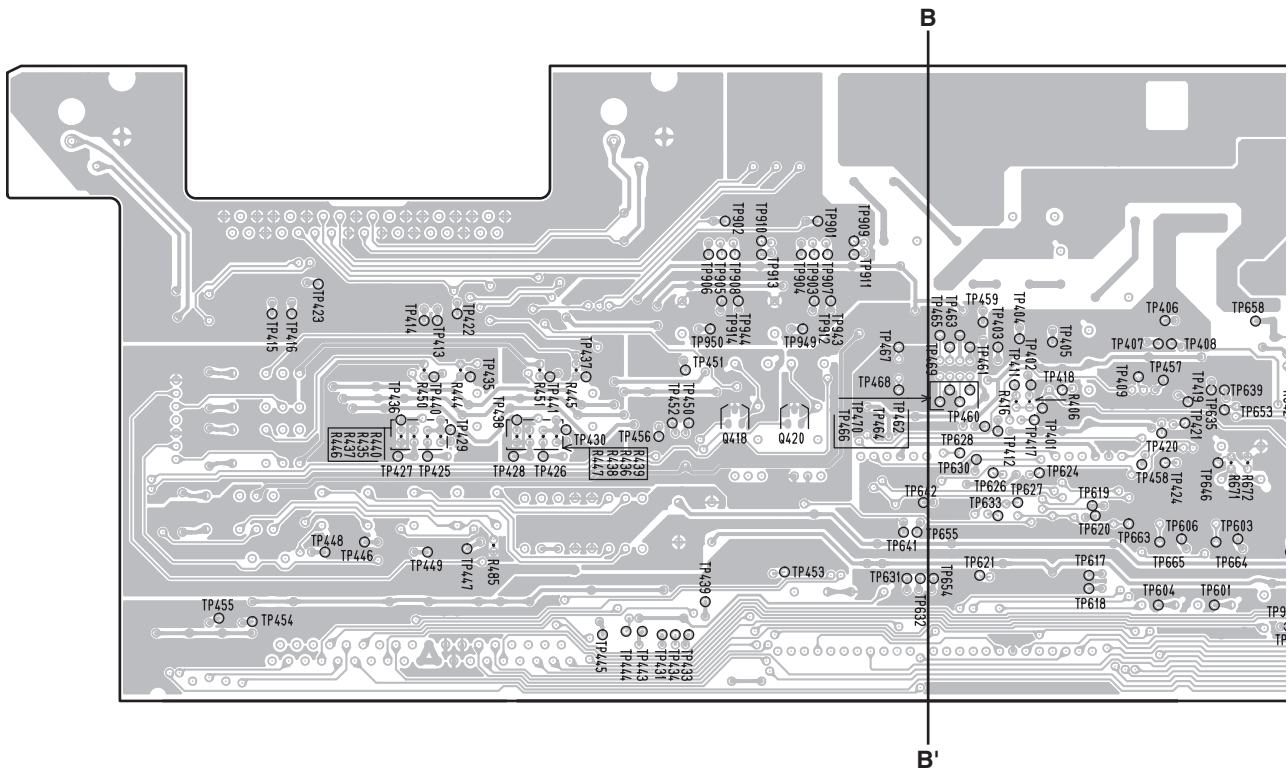
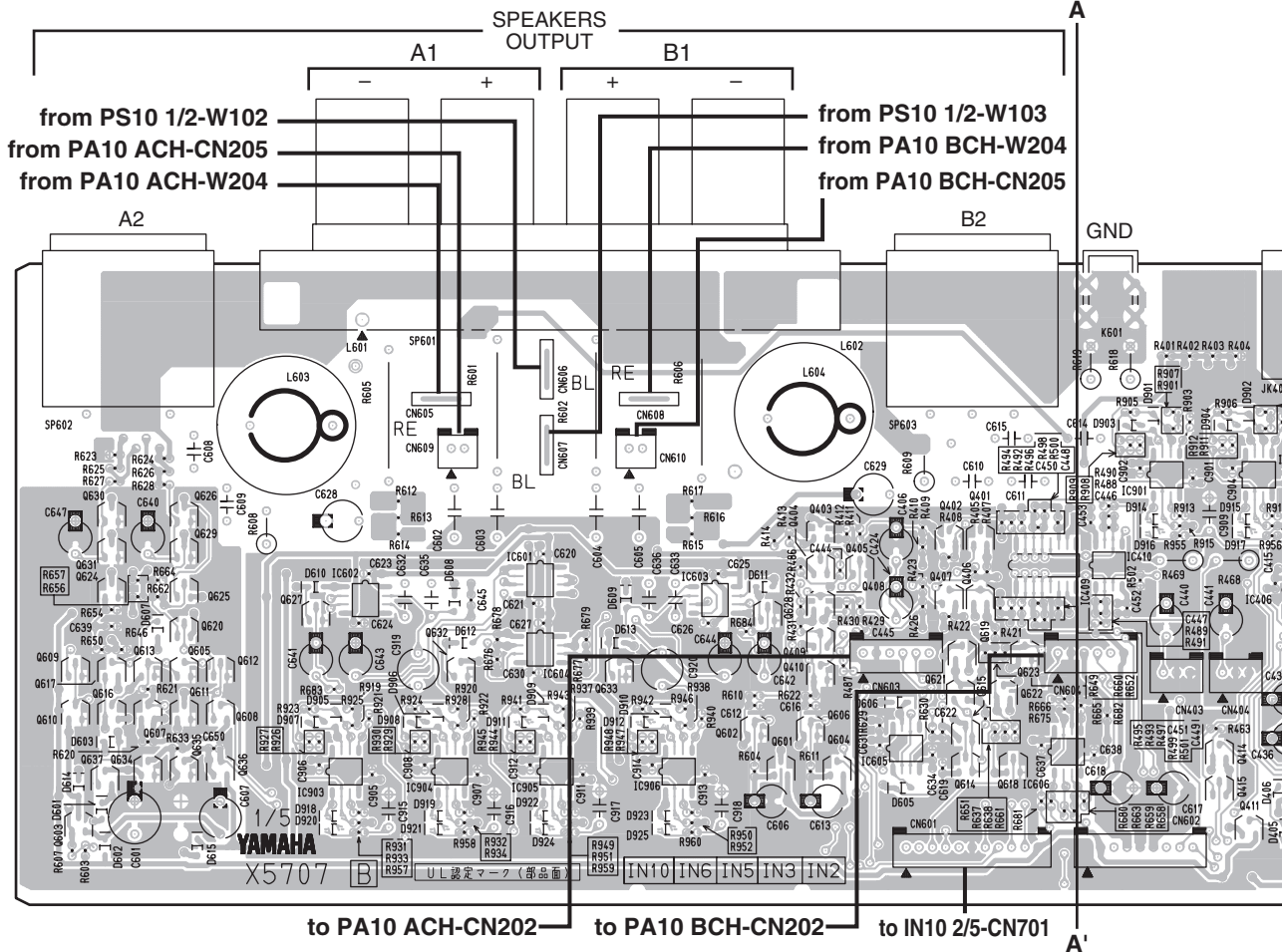
• CONTENTS (目次)

IN10 1/5 Circuit Board (X5707B0)	20
IN10 2/5 Circuit Board (X5707B0)	22
IN10 3/5 Circuit Board (X5707B0)	22
IN10 4/5 Circuit Board (X5707B0)	23
IN10 5/5 Circuit Board (X5707B0)	23
PA10 Circuit Board (X5704B0)	24
PS10 1/2 Circuit Board (X5689B0)	26
PS10 2/2 Circuit Board (X5689B0)	26

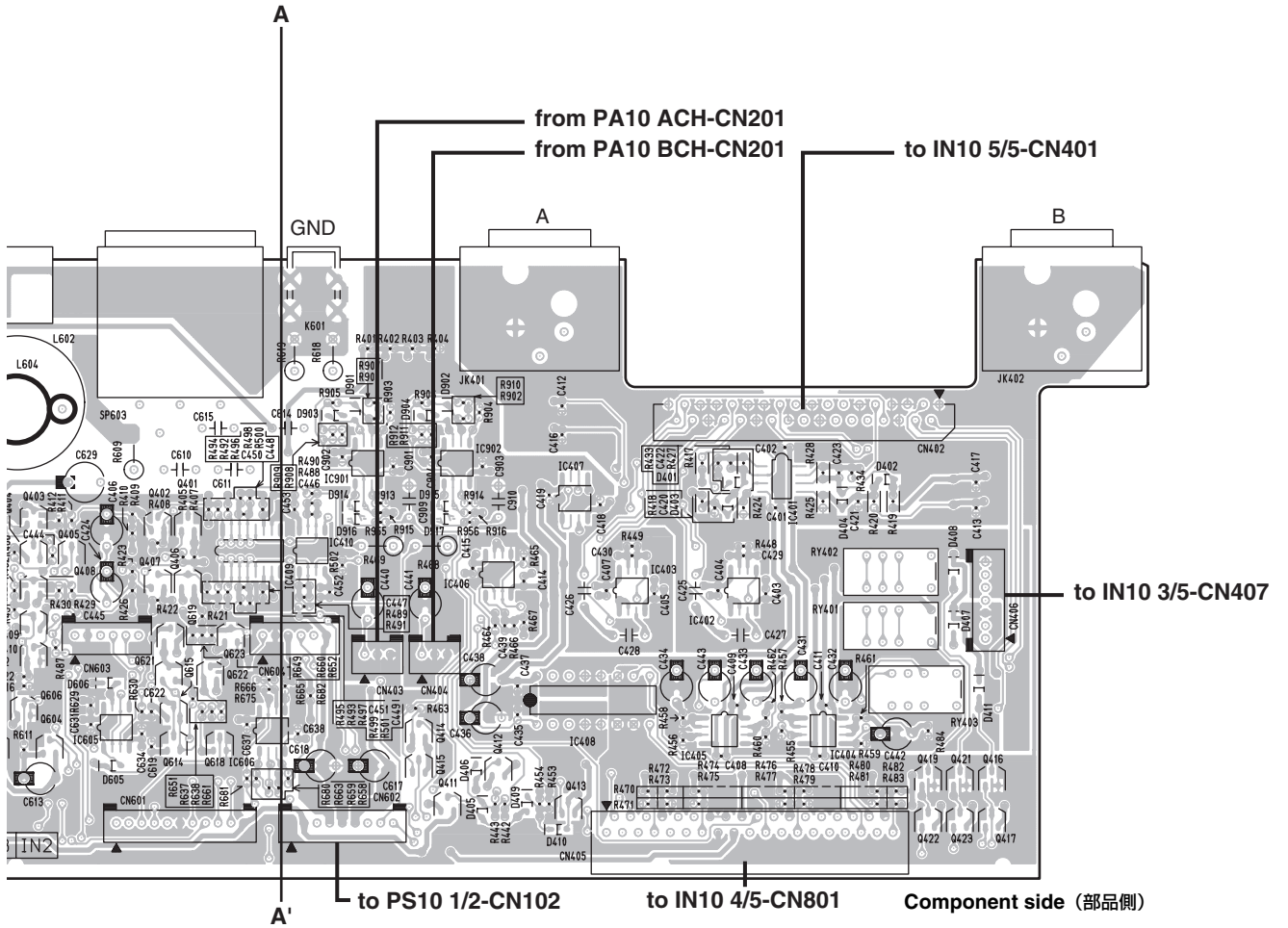
Note: See parts list for details of circuit board component parts.

注：シートの部品詳細はパーツリストをご参照ください。

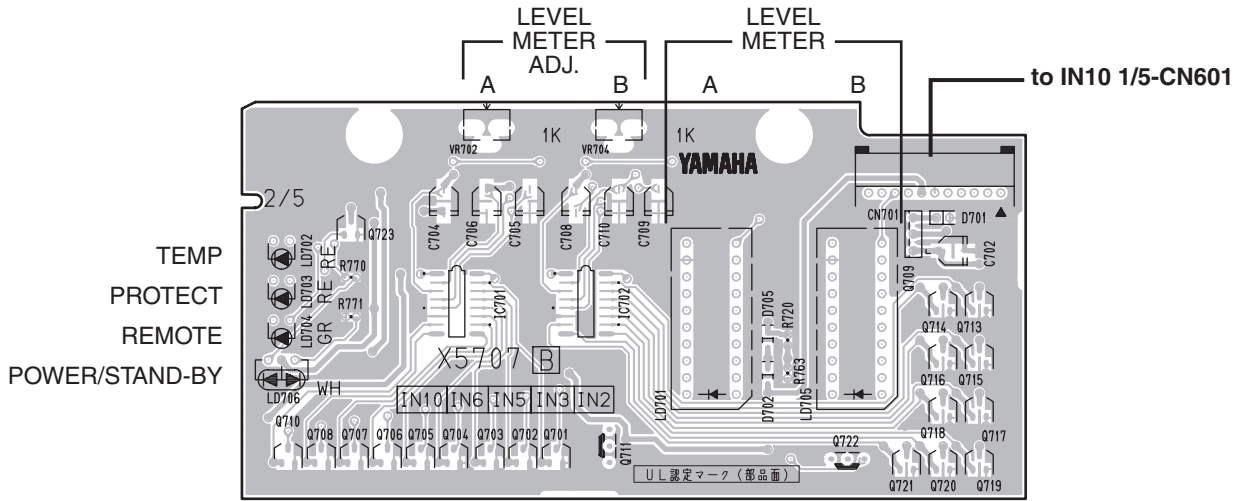
• IN10 1/5 Circuit Board



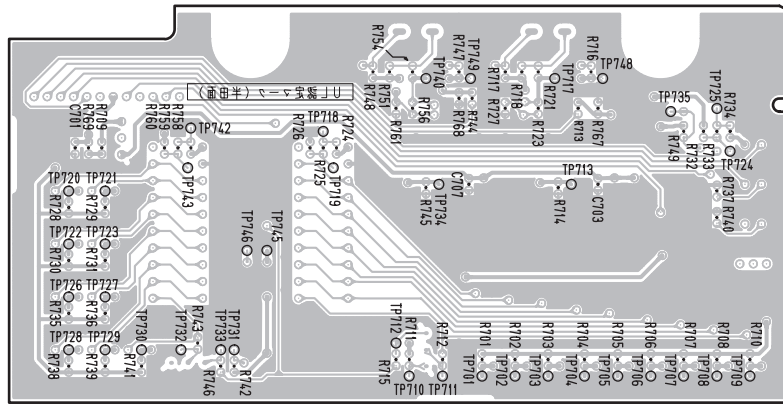
IN10: 2LP-X5707B0



• IN10 2/5 Circuit Board

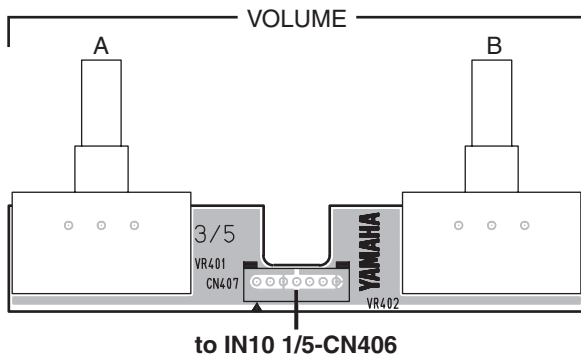


Component side (部品側)

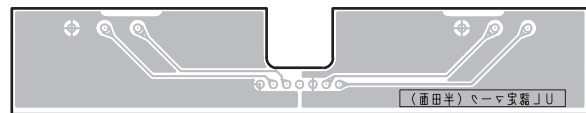


Pattern side (パターン側)

• IN10 3/5 Circuit Board

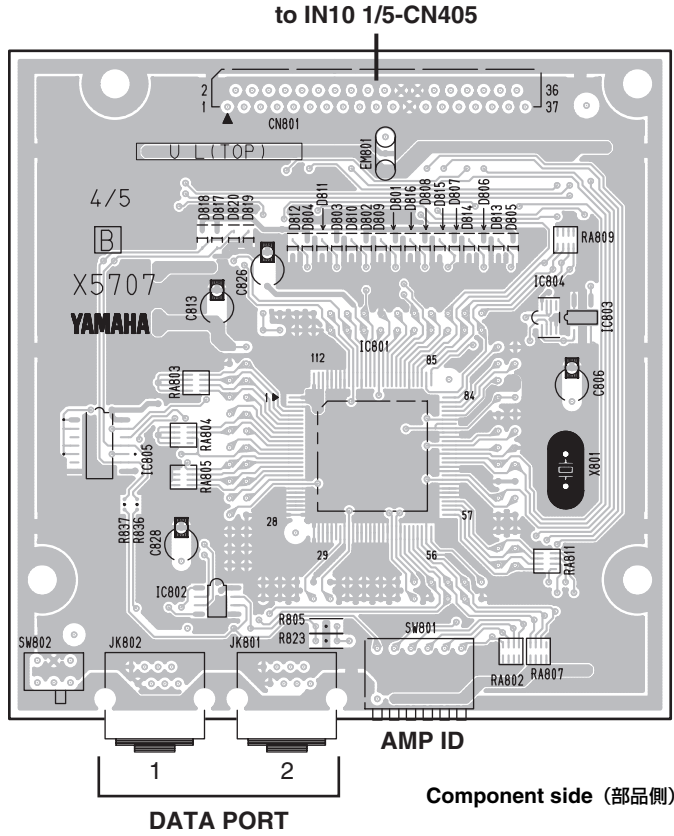


Component side (部品側)

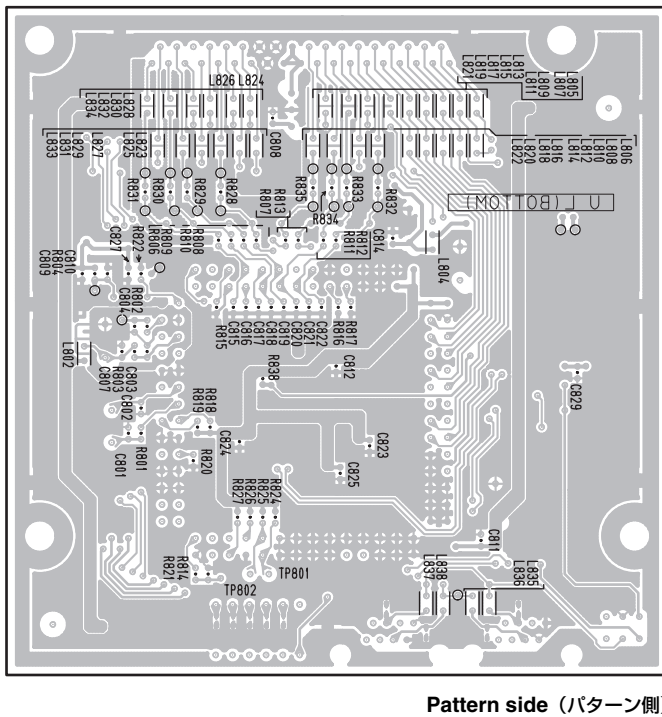
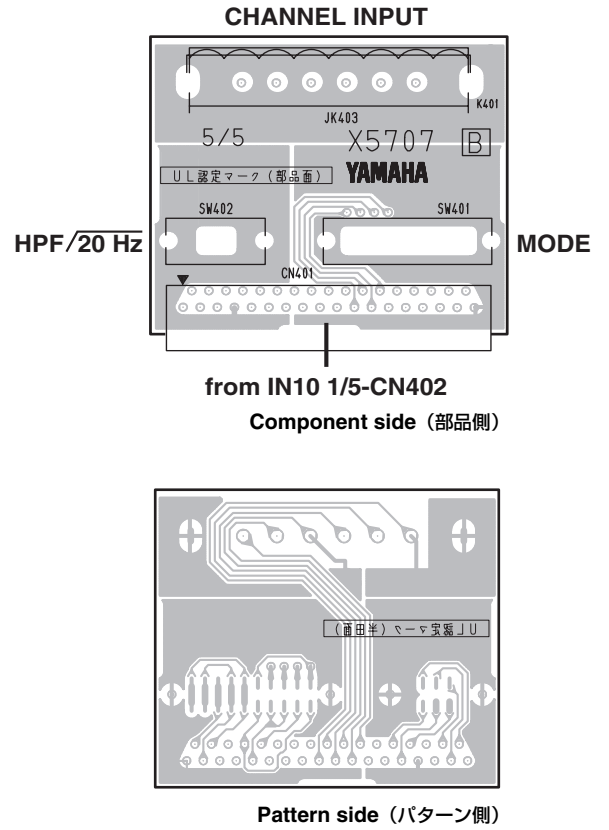


Pattern side (パターン側)

• IN10 4/5 Circuit Board

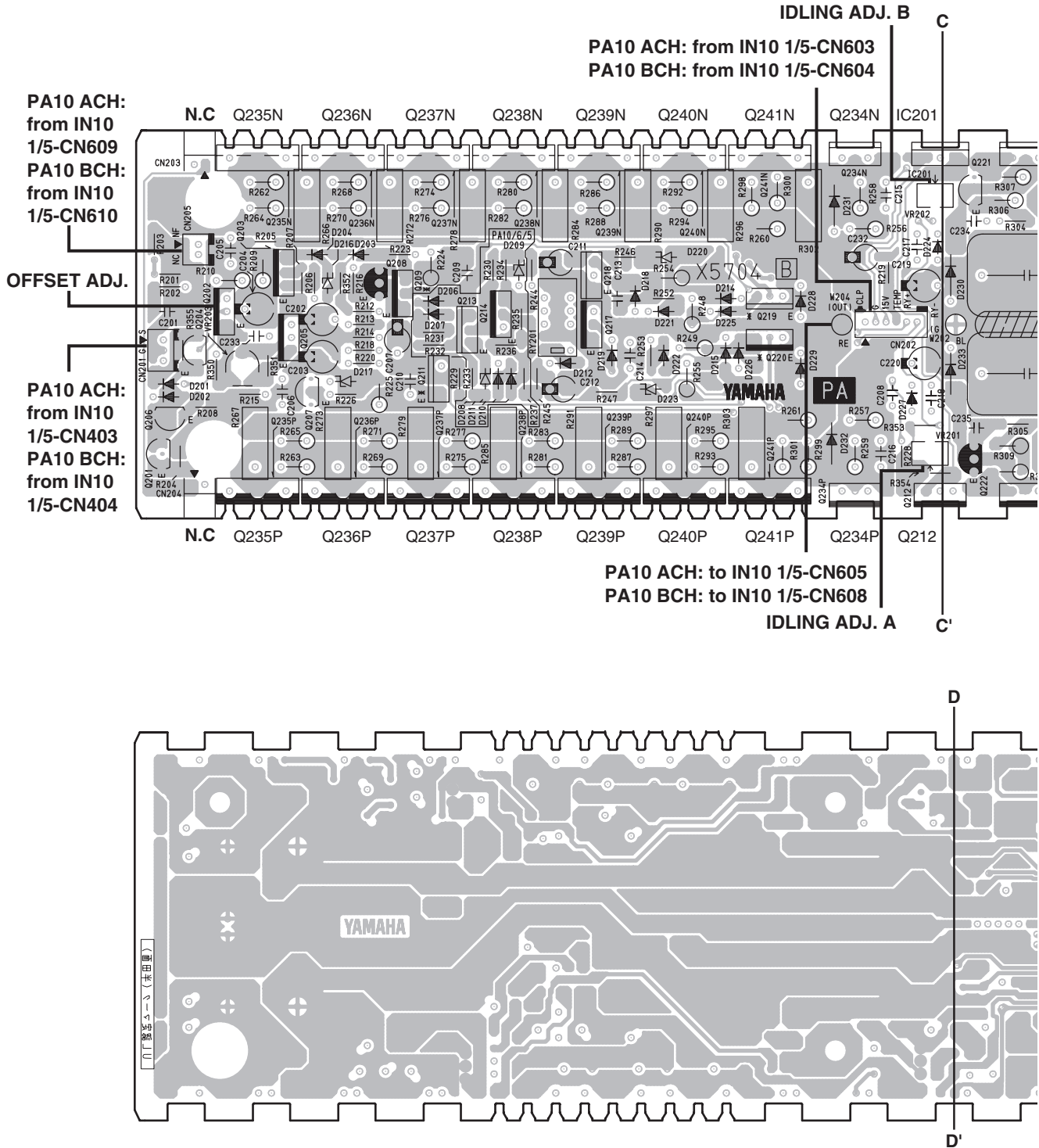


• IN10 5/5 Circuit Board



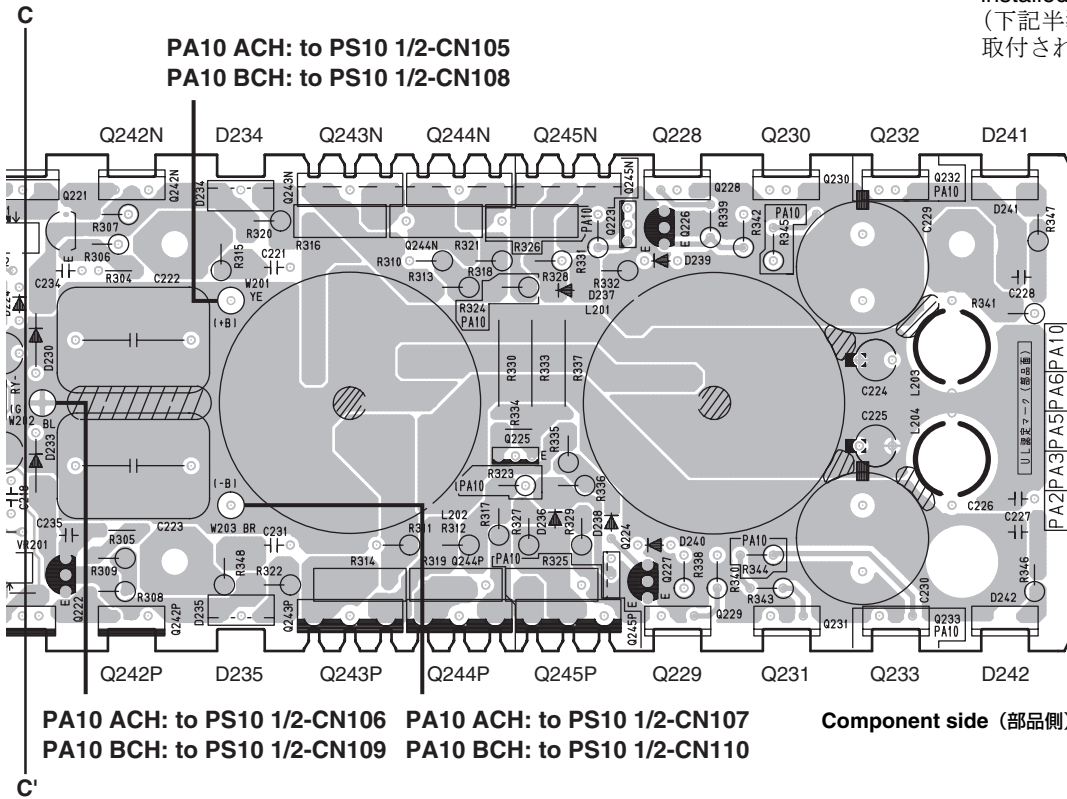
IN10: 2LP-X5707B0

• PA10 Circuit Board

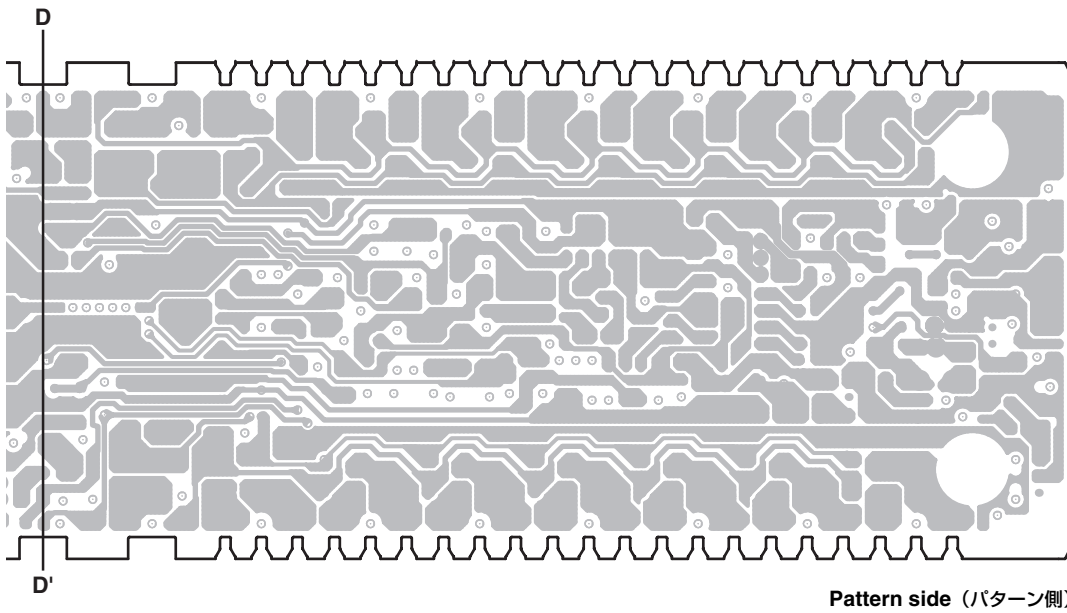


PA10: 2LP-X5704B0

- Following semi-conductors are installed for the PA unit.
(下記半導体はPAユニットで取付されます。)

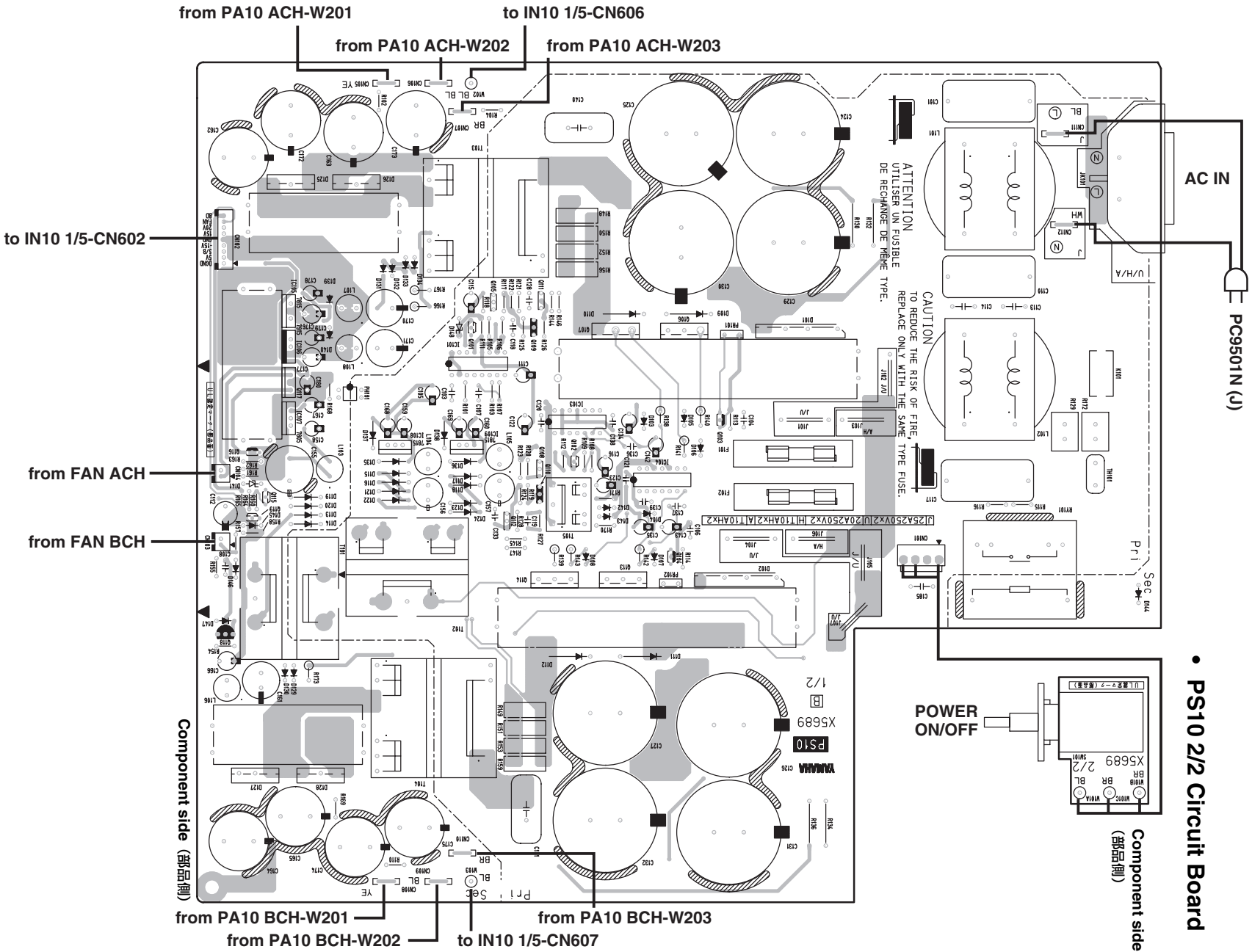


ref.	Circuit board
D242	○
Q233	○
Q231	○
Q229	○
Q245P	○
Q244P	○
Q243P	○
D235	○
Q242P	○
Q212	○
Q234P	○
Q241P	○
Q240P	○
Q239P	○
Q238P	○
Q237P	○
Q236P	○
Q235P	○
Q235N	○
Q236N	○
Q237N	○
Q238N	○
Q239N	○
Q240N	○
Q241N	○
Q234N	○
IC201	○
Q242N	○
D234	○
Q243N	○
Q244N	○
Q245N	○
Q228	○
Q230	○
Q232	○
D241	○



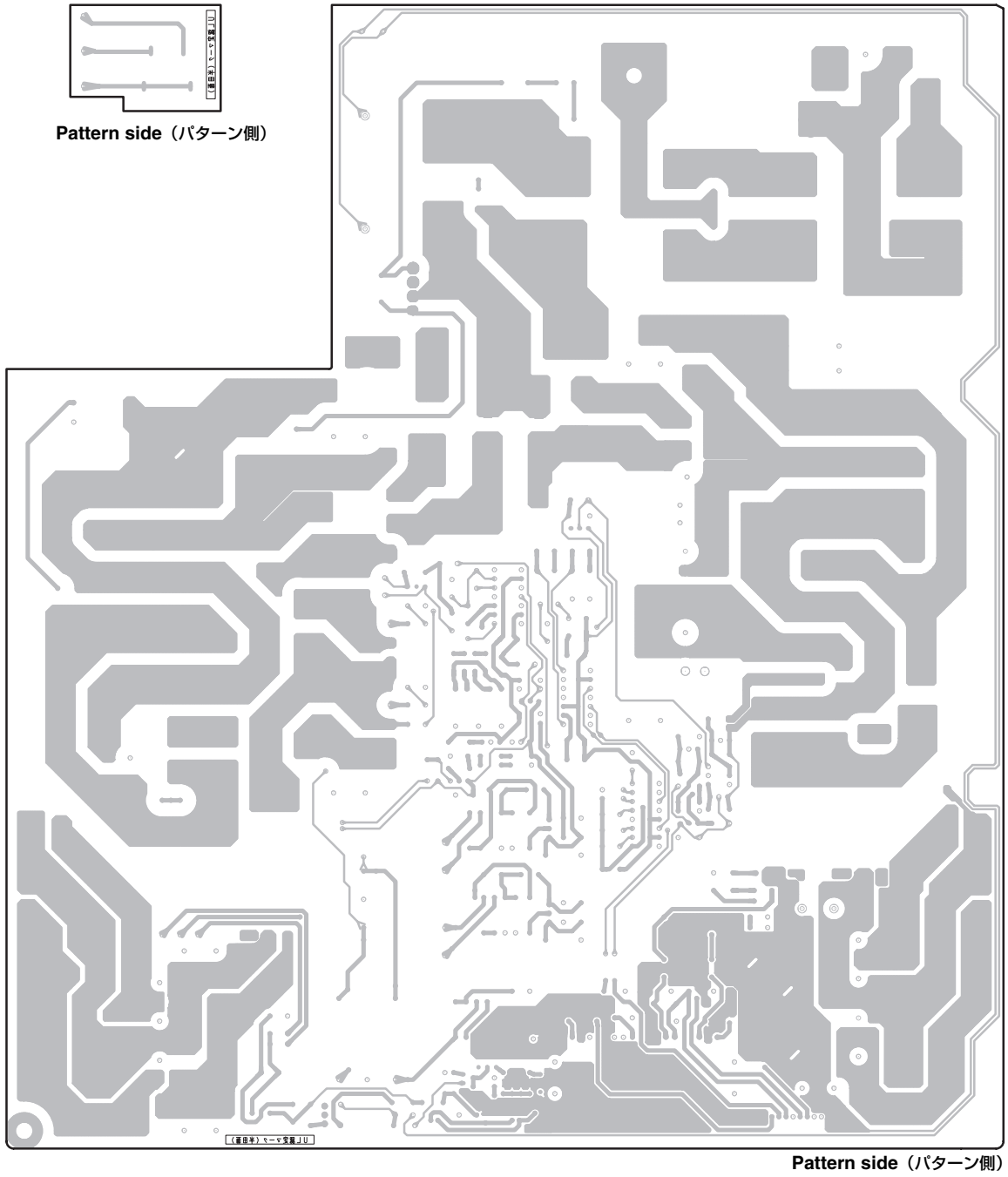
PA10: 2LP-X5704B0

• PS10 1/2 Circuit Board



• PS10 2/2 Circuit Board

- PS10 2/2 Circuit Board
- PS10 1/2 Circuit Board



■ INSPECTIONS

1. Inspections in STEREO mode and PARALELL mode

1-1. Preparation

Input attenuator	MAX
Input terminal	XLR-3-31 type connector, No.2: hot, No.1 and 3: ground
MODE SW	STEREO
HPF SW	OFF
Output terminal	Unless otherwise specified, load resistance: 8 Ω non-inductive resistance, power capability: 1 kW or more
DATA PORT	Unused.
AMP ID SW	1, 2, 4, 8, 16, T OFF
Others	Unless otherwise specified, both channels set for drive.

1-2. Inspection and adjustment

1-2-1. Fan and POWER/PROTECTION LED

Turn on the POWER SW, then check that the PROTECTION LED lights in red and the POWER LED lights in green. Also check that the fan runs at a low speed.

1-2-2. Power ON muting time

Check that the muting function is cancelled at 9 ± 3 seconds after turning on the POWER SW and the PROTECTION LED turns off.

1-2-3. Idling current (Adjustment)

Ground the input terminal, then adjust VR201 (A ch) and VR202 (B ch) so that the DC voltage (V_b) at No.1 and 2 terminals of CN204 (A ch) and CN203 (B ch) is 0.1 ± 0.05 mV.

Also, after all inspections, measure the V_b value again and adjust so that it is 0.1 ± 0.05 mV.

1-2-4. Output terminal DC voltage

Ground the input terminal, then measure the DC voltage (V_{dc}) at the output terminal and check that it is 0 ± 50 mV.

1-2-5. Gain

Feed 1 kHz, -10.0 dBu sine wave to the input terminal, then check that $+22.1 \pm 0.5$ dB output voltage is obtained. Also perform this inspection in the PARALELL mode.

1-2-6. Frequency response

• HPF OFF:

Feed 20 Hz, 1 kHz, 20 kHz, -10.0 dBu sine wave to the input terminal, then check that the output voltage at 20 Hz is within 0.0 ± 0.5 dB and that at 20 kHz is within -0.5 ± 0.5 dB as compared with the output voltage at 1 kHz.

• HPF ON:

Feed 20 Hz, -10.0 dBu sine wave to the input terminal, then check that the output voltage is within -3.0 ± 1.0 dB as compared with the output voltage at 1 kHz in the HPF OFF state.

1-2-7. Total harmonic distortion

Feed 1 kHz high-grade sine wave to the input terminal, then check that the total harmonic distortion is 1% or less when the output given in the table below is obtained.

Make sure to finish this inspection within 30 seconds.

PC9501N
1000 W/8 Ω (41.2 dBu/ch)

1-2-8. Channel separation

Feed the sine wave given in the below table to the input terminal of one channel and measure the output voltage (reference voltage). Then, measure the output voltage at the other channel grounded via a 600 Ω resistance and check that it is -70 dB or less as compared with the reference voltage (0 dB).

PC9501N
1 kHz, 6.0 dBu

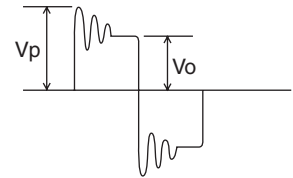
1-2-9. Output noise level

Set the input attenuator at MAX and ground the input terminal via a 600 Ω resistance, then measure the noise level at the output terminal and check that it is -65 dBu or less. Next, set the input attenuator at MIN, then measure the noise level again and check that it is -70 dBu or less.

1-2-10. Stability

Feed 1 kHz, -10.0 dBu rectangular wave and connect a resistance of only net capacity of 10 pF to 0.47 μF, then check that the following conditions are satisfied.

Overshoot	$V_p/V_o \leq 2.5$
Ringing	Ringing should converge within 7 waves and cause no oscillation, etc. occur.



1-2-11. Protection circuit

Feed 10 Hz, +10.0 dBu sine wave and have the output waveform clipped, then check that the protection circuit functions to prevent the relay from opening. Next, feed 1 Hz, 5.0 dBu sine wave, then check that the protection circuit functions within 2 seconds to shut off the output.

After that, turn off the input signal and turn on the POWER SW again, then check that the PROTECTION LED lights in red and the POWER LED lights in green. Also check that the muting function is cancelled about 9 seconds after that.

1-2-12. Efficiency

Feed 1 kHz, 0 dBu sine wave to the input terminal, then measure the primary power and check that the measured value is within the range given in the table below.

PC9501N
450±30 W

Next, ground the input terminal via a 600 Ω resistance, then measure the primary power and check that the measured value is within the range given in the table below.

PC9501N
60±10 W

1-2-13. PC limiter and compressor

Feed 1 kHz sine wave with input given in the below table to the input terminal and connect a 1 Ω (±5%) resistance to the output terminal, then check that output given in the table below is obtained. Also check that the total harmonic distortion given in the table below is satisfied.

	Input	Output	THD
PC9501N	0 dBu	28.5±2.0 dBu	5% or less

1-2-14. Level meter (no load)

Feed 1 kHz sine wave to the input terminal, then set the input signal so that the voltage at the output terminal given in the table below is obtained.

(Note that no load resistance is connected to the output terminal.)

PC9501N
63.3 V

Turn VR702 counterclockwise fully, then turn it clockwise gradually and stop turning when “3” of the A ch level meter lights up. Next, turn VR704 counterclockwise fully, then turn it clockwise gradually and stop turning when “3” of the B ch level meter lights up.

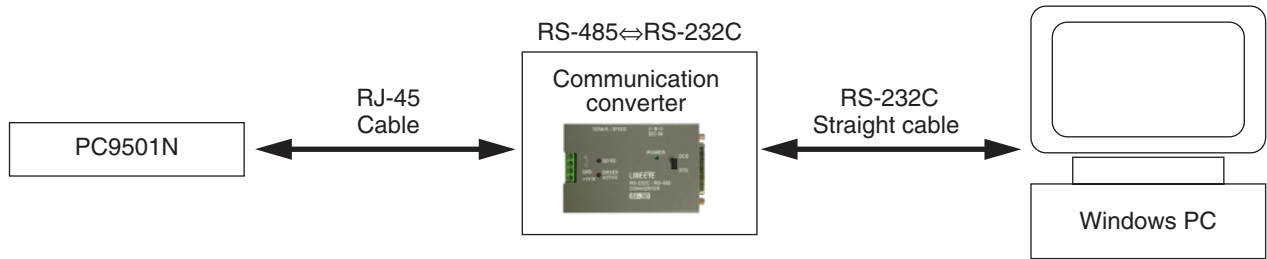
After that, lower the input voltage by 1 dB and check that “3” of the level meters turn off.

Also check that “27” of the level meters turn off with no input.

2. DATA PORT inspections

2-1. Preparation

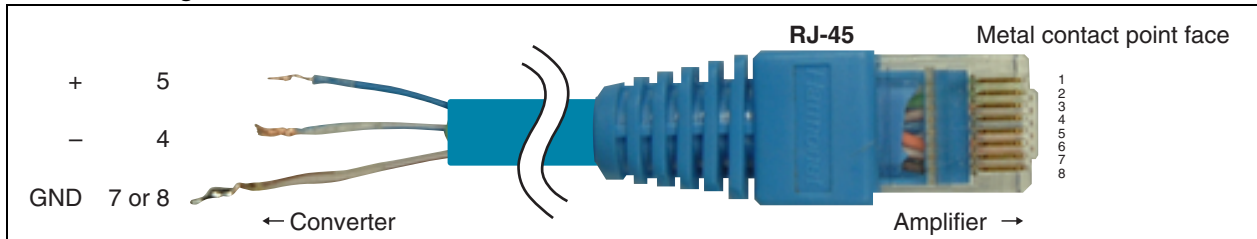
Connect the serial port of Windows PC and the DATA PORT of the power amplifier via the communication converter as shown below.



Note: Following communication converters have been proved for their operation.

Communication converter	DIP SW setting
RS-232/485 converter SI-30 (manufactured by LINEEYE)	DIP SW: 1-5=ON
RS-232/485 converter SI-35 (manufactured by LINEEYE)	DIP SW: 1-3=ON, 4=OFF, 5=ON

Connection diagram of the RJ-45 cable



2-2. Setting

Start up the terminal software (Hyper Term, Tera Term, etc.) of the PC and make settings as follows.

Bit rate	38400 bps
Length	8 bit
Stop bit	1 bit
Parity	None
Communication control	None

2-3. Inspection

2-3-1. Initial setting

Make connections described in “2-1. Preparation” section and start up the terminal software. Turn on the power of the power amplifier and press the return key of the Windows PC keyboard twice quickly (at 0.5-second intervals) within 15 seconds. Feed 1 kHz, 0 dBu sine wave to the input terminal, then check that the screen shown below appears on the monitor.

```
<<<<< PC-N Series Amplifier Test Program >>>>
- FIRMWARE VERSION: V*.**
- TEST PROGRAM VERSION: V*.**
```

- “V*.**” indicates the version number.
- If the screen shown above does not appear, turn off the power of the power amplifier and shut down the terminal software. Then make settings shown above again.

2-3-2. REMOTE and MODEL ID inspections

Press the return key of the Windows PC keyboard once, then check that the REMOTE LED lights up. The screen shown below appears on the monitor.

```
MODEL ID : 5 (PC9501N)
#
```

2-3-3. Automatic inspections**2-3-3-1. TEST 10 (STANDBY, PROTECT)**

Enter "00" using the Windows PC keyboard, then check that the PROTECTION LED lights up and POWER LED lights in orange.

(The POWER LED lights in orange for about 2 seconds, then changes to green.)

The screen shown below appears on the monitor, and judgment is made automatically.

```
>> 00: ALL TEST
>> 10: POWER TEST
Waiting for PROTECTION=NONE...
PROTECTION : NONE --<OK>
POWER:STANDBY
Wait 2sec ..
PROTECTION : ON --<OK>
POWER:ON
```

When the TEST 10 result is OK, the message shown below appears on the monitor.

```
-----<TEST10:OK>
```

The test program proceeds to TEST 20 automatically after TEST 10.

2-3-3-2. TEST 20 (PHASE A ch/B ch)

The screen shown below appears on the monitor.

```
>> 20: PHASE TEST
Waiting for PROTECTION=NONE...
CH A:PHASE INVERTED
```

Check that the A ch input signal is deviated from the A ch output signal by 180° in phase, then press the return key.

The screen shown below appears on the monitor.

```
CH B:PHASE INVERTED
_
```

Check that the B ch input signal is deviated from the B ch output signal by 180° in phase, then press the return key.

When the TEST 20 result is OK, the message shown below appears on the monitor.

```
-----<TEST20:OK>
```

The test program proceeds to TEST 30 automatically after TEST 20.

2-3-3-3. TEST 30 (REMOTE)

The screen shown below appears on the monitor.

```
>> 30: REMOTE TEST
REMOTE:OFF
_
```

Check that the REMOTE LED is turned off, then press the return key.

When the TEST 30 result is OK, the message shown below appears on the monitor.

```
-----<TEST30:OK>
```

The test program proceeds to TEST 40 automatically after TEST 30.

2-3-3-4. TEST 40 (ATT)

The screen shown below appears on the monitor, and judgment is made automatically.

```
>> 40: ATT TEST
ATT=-6dB
VSP(CH A) : 14.64 V --<OK>
VSP(CH B) : 14.75 V --<OK>
```

When the TEST 40 result is OK, the message shown below appears on the monitor.

```
-----<TEST40:OK>
```

The test program proceeds to TEST 50 automatically after TEST 40.

2-3-3-5. TEST 50 (MUTE)

The screen shown below appears on the monitor, and judgment is made automatically.

```
>> 50: MUTE TEST
MUTE ON
VSP(CH A) : 0.00 V --<OK>
VSP(CH B) : 0.00 V --<OK>
```

When the TEST 50 result is OK, the message shown below appears on the monitor.

```
-----<TEST50:OK>
```

The test program proceeds to TEST 60 automatically after TEST 50.

2-3-3-6. TEST 60 (MODE SW)

The screen shown below appears on the monitor.

```
>> 60: MODE SW TEST
MODE:STEREO
MODE:BRIDGE
```

Switch the MODE SW in the order of STEREO -> BRIDGE -> PARALLEL.

When the TEST 60 result is OK, the screen shown below appears on the monitor.

```
MODE:STEREO
MODE:BRIDGE
MODE:PARALLEL
-----<TEST60:END>
```

The test program proceeds to TEST 70 automatically after TEST 60.

2-3-3-7. TEST 70 (UNIT ID SW)

The screen shown below appears on the monitor.

```
>> 70: UNIT ID SW TEST
-00000
-00001
```

Switch the AMP SW ID1, ID2, ID4, ID8 and ID16 to ON in order.

The screen shown below appears on the monitor.

```
>> 70: UNIT ID SW TEST
-00000
-00001
-00011
-00111
-01111
-11111
```

When the TEST 70 result is OK, the message shown below appears on the monitor.

```
-----<TEST70:END>
```

The test program proceeds to TEST 80 automatically after TEST 70.

2-3-3-8. TEST 80 (MONITOR)

The screen shown below appears on the monitor, and judgment is made automatically.

```
>> 80: MONITOR TEST
TEMP(CH A): 29 C --<OK>
TEMP(CH B): 28 C --<OK>
Vpre(CH A): 0.67 V --<OK>
Vpre(CH B): 0.65 V --<OK>
VSP(CH A) : 29.95 V --<OK>
VSP(CH B) : 30.28 V --<OK>
ISP(CH A) : 3.37 V --<OK>
ISP(CH B) : 3.30 V --<OK>
```

When the TEST 80 result is OK, the message shown below appears on the monitor.

```
-----<TEST80:OK>
```

The test program proceeds to TEST 90 automatically after TEST 80.

2-3-3-9. TEST 90 (CLIP)

The screen shown below appears on the monitor.

```
>> 90: CLIP TEST
Waiting for CLIP=NONE... (CH A)
Waiting for CLIP=NONE... (CH B)
-----<TEST90:OK>
```

Remove the load resistance and feed 1 kHz, 11.0 dB sine wave to the input terminal.

When the TEST 90 result is OK, the screen shown below appears on the monitor.

```
Waiting for CLIP=ON... (CH A)
Waiting for CLIP=ON... (CH B)
-----<TEST90:OK>
```

2-4. Judgment

When the results of all the automatic inspections are OK, the message shown below appears on the monitor.

```
-----<TEST ALL:OK>
```

When any of the automatic inspections has resulted in NG, that particular inspection is indicated as shown below. (The example shown below indicates that TEST 40 and TEST 80 have resulted in NG.)

```
----->>>TEST ALL:NG!<<<
-----<TEST40:NG>
-----<TEST80:NG>
```

<Reference>

Describes below is the procedure to perform each DATA PORT inspection individually.

1. Preparation

Same as the procedure described in "2-1. Preparation" section.

2. Setting

Same as the procedure described in "2-2. Setting" section.

3. Inspection

Make the same initial setting as described in "2-3-1. Initial setting" section and perform REMOTE and MODEL ID inspections.

After that, enter the number of the TEST to be executed using the Windows PC keyboard. In this way, the DATA PORT inspection can be performed individually.

3. Inspections in BRIDGE mode

3-1. Preparation

Input attenuator	Operation for A ch only, MAX
Input terminal	XLR-3-31 type connector, No.2: hot, No.1 and 3: ground
MODE SW	BRIDGE
HPF SW	OFF
Output terminal	Use A ch + and B ch +.
DATA PORT	Unused.
AMP ID SW	1, 2, 4, 8, 16, T OFF
Load resistance	8 Ω + 8 Ω non-inductive resistance, power capability: 1 kW or more
Connection of measuring instrument	Connect to the mid-point of the load resistance with the ground floated.

3-2. Inspection

3-2-1. Gain

Feed 1 kHz, -10.0 dBu sine wave to the input terminal, then check that +22.1±1.0 dB output voltage is obtained.

3-2-2. Frequency response

Feed 20 Hz, 1 kHz, 20 kHz, -10.0 dBu sine wave to the input terminal, then check that the output voltage at 20 Hz is within 0.0±0.5 dB and that at 20 kHz is within -0.5±0.5 dB as compared with the output voltage at 1 kHz.

3-2-3. Total harmonic distortion

Feed 1 kHz high-grade sine wave to the input terminal, then check that the total harmonic distortion is 1% or less when the output given in the table below is obtained.

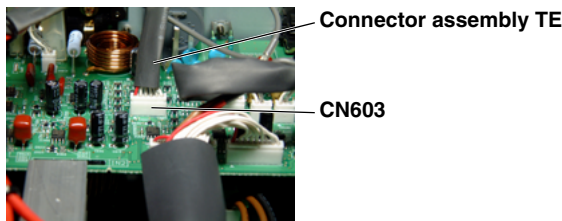
Make sure to finish this inspection within 30 seconds.

PC9501N
41.2 dBu

4. LED inspections

Remove the connector assembly TE from CN603 and turn on the POWER SW. Then check that the PROTECTION LED and TEMP LED light in red and the POWER LED lights in green. Also check that the fan runs at a high speed.

After inspection, turn off the power and reconnect the connector assembly TE to CN603 immediately.



5. Factory setting

Input attenuator	∞ (turned counterclockwise fully)
HPF SW	OFF
MODE SW	STEREO
AMP ID SW	OFF

6. Others

- 0 dB=0.775 V
- Use a DIN audio filter when measuring the noise level.

■ 検査

1. STEREO モードおよび PARALELL モード時の検査

1-1. 準備

入力アッテネーター	最大
入力端子	XLR-3-31 タイプ、2 番：ホット、1、3 番：アース
MODE SW	STEREO
HPF SW	OFF
出力端子	指定のない場合は、負荷抵抗：8Ω 無誘導抵抗、電力容量：1kW 以上
DATA PORT	使用しない
AMP ID SW	1、2、4、8、16、T OFF
その他	指定のない場合は、両チャンネル駆動とする

1-2. 検査および調整

1-2-1. ファンおよび POWER/PROTECTION LED

POWER SW 投入時、PROTECTION LED が赤色に点灯し、POWER LED が緑色に点灯することを確認します。またファンが低速で回転することを確認します。

1-2-2. パワー ON ミューティング時間

POWER SW 投入時、 $t=9 \pm 3$ 秒にてミューティングが解除され、PROTECTION LED が消灯することを確認します。

1-2-3. アイドリング電流（調整）

入力端子を接地して CN204（A チャンネル）と CN203（B チャンネル）の 1、2 番端子の直流電圧（Vb）が 0.1 ± 0.05 mV となるように VR201（A チャンネル）と VR202（B チャンネル）を調整します。
また全検査終了後、再度 Vb の値を測定し、 0.1 ± 0.05 mV となるように調整します。

1-2-4. 出力端子直流電圧

入力端子を接地して出力端子の直流電圧（Vdc）を測定し、 0 ± 50 mV であることを確認します。

1-2-5. 利得

入力端子に 1kHz、-10.0dBu の正弦波を入力したとき、 $+22.1 \pm 0.5$ dB の出力電圧を得ることを確認します。
この検査は PARALELL モードでも行ってください。

1-2-6. 周波数特性

• HPF OFF:

入力端子に 20Hz、1kHz、20kHz、-10.0dBu の正弦波を入力したときの出力電圧が、1 kHz の出力電圧を基準に 20Hz で 0.0 ± 0.5 dB 以内、20 kHz で -0.5 ± 0.5 dB 以内であることを確認します。

• HPF ON:

入力端子に 20Hz、-10.0dBu の正弦波を入力したときの出力電圧が、HPF OFF 時の 1 kHz の出力電圧を基準に -3.0 ± 1.0 dB 以内であることを確認します。

1-2-7. 全高調波歪率特性

入力端子に 1kHz の高品位正弦波を入力して下表の出力を得たときの全高調波歪率が、1% 以下であることを確認します。
この検査は 30 秒以内に終了してください。

PC9501N
1000W/8Ω (41.2dBu/ch)

1-2-8. チャンネルセパレーション

片方のチャンネルの入力端子に下表の正弦波を入力して得られた出力電圧を基準（0 dB）とし、入力端子が 600Ω の抵抗を介して接地された他方のチャンネルの出力電圧を測定し、-70dB 以下であることを確認します。

PC9501N
1kHz、6.0dBu

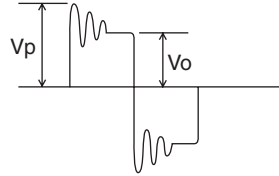
1-2-9. 出力ノイズレベル

入力アッテネーターを最大に設定し、入力端子を $600\ \Omega$ の抵抗を介して接地して出力端子に発生するノイズレベルを測定し、 -65dBu 以下であることを確認します。次に入力アッテネーターを最小に設定して、ノイズレベルを測定し、 -70dBu 以下であることを確認します。

1-2-10. 安定度

1kHz 、 -10.0dBu の矩形波を入力し、負荷を純容量 $10\text{pF} \sim 0.47\ \mu\text{F}$ のみにしたとき、下表の条件を満足することを確認します。

オーバーシュート	$V_p/V_o \leq 2.5$
リングング	7波以内に収束し、発振などを生じないこと



1-2-11. プロテクション回路

10Hz 、 $+10.0\text{dBu}$ の正弦波を入力し、出力波形をクリップさせたとき、プロテクション回路が作動してリレーがオープンしないことを確認します。次に 1Hz 、 5.0dBu の正弦波を入力したとき、プロテクション回路が2秒以内に作動して出力を遮断することを確認します。

その後、入力信号を切り POWER SW を再投入すると、PROTECTION LED が赤色に点灯し、POWER LED が緑色に点灯することを確認します。またその約9秒後にミュートが解除されることを確認します。

1-2-12. 効率

入力端子に $1\ \text{kHz}$ 、 0dBu の正弦波を入力して一次電力を測定し、下表の範囲内であることを確認します。

PC9501N
$450 \pm 30\text{W}$

次に入力端子を $600\ \Omega$ の抵抗を介して接地して一次電力を測定し、下表の範囲内であることを確認します。

PC9501N
$60 \pm 10\text{W}$

1-2-13. PC リミッターおよびコンプ

入力端子に下記入力信号レベルの 1kHz の正弦波を入力し、出力端子に $1\ \Omega$ ($\pm 5\%$) の負荷を接続したとき、下表の出力が得られることを確認します。また THD は下表の条件を満たすことを確認します。

	入力	出力	THD
PC9501N	$0\ \text{dBu}$	$28.5 \pm 2.0\text{dBu}$	5%以下

1-2-14. レベルメーター（無負荷）

入力端子に 1kHz の正弦波を入力して、出力端子電圧が下表の電圧になるように入力信号を設定します。

(このとき、出力端子には負荷抵抗を接続しません。)

PC9501N
63.3V

VR702 を左回りに絞りきり、その後少しずつ右回りに回転させ、Aチャンネルレベルメーターの“3”が点灯したら回転をやめます。次に VR704 を左回りに絞りきり、その後少しずつ右回りに回転させ、Bチャンネルレベルメーターの“3”が点灯したら回転をやめます。

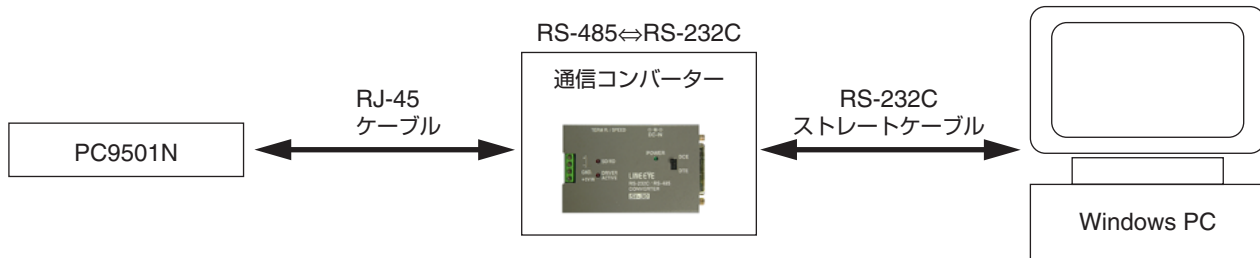
その後、入力電圧を 1dB 下げて“3”が消灯することを確認します。

また、入力がない状態で“27”が消灯することを確認します。

2. DATA PORT 検査

2-1. 準備

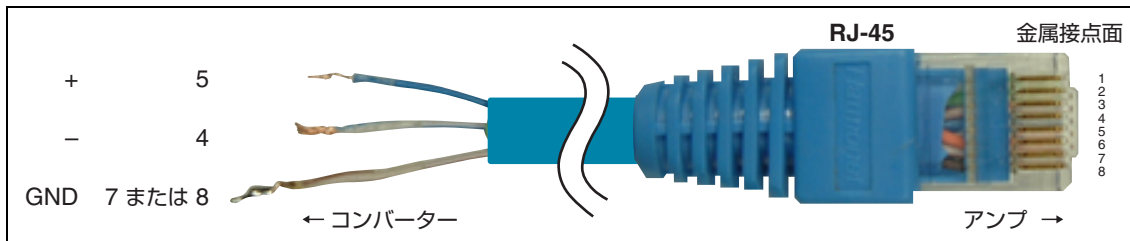
下図のようにWindows PCのシリアルポートとパワーアンプのDATA PORTを、通信コンバーターを介して接続します。



注：下記の通信コンバーターは動作確認済みです。

通信コンバーター	DIP SW設定
RS-232/485 コンバーター SI-30 (LINEEYE 社製)	DIP SW : 1 ~ 5=ON
RS-232/485 コンバーター SI-35 (LINEEYE 社製)	DIP SW : 1 ~ 3=ON、4=OFF、5=ON

RJ-45 ケーブルの結線図



2-2. 設定

PCのターミナルソフト (Hyper Term、Tera Term 等) を起動し、下記設定を行います。

ビットレート	38400bps
データ長	8bit
ストップビット	1bit
パリティ	なし
通信制御	なし

2-3. 検査

2-3-1. 初期設定

「2-1. 準備」の項に示す接続を行い、ターミナルソフトを起動します。パワーアンプの電源を投入し、15秒以内にWindows PC キーボードのリターンキーをすばやく (0.5秒以内の間隔で) 2回押します。

入力端子に1kHz、0dBuの正弦波を入力します。そのときモニター画面に次の文字が表示されることを確認します。

```
<<<<< PC-N Series Amplifier Test Program >>>>
- FIRMWARE VERSION: V*.**
- TEST PROGRAM VERSION: V*.**
```

- ・ “V*.**” はバージョン番号を示します。
- ・ 表示が出ない場合は、パワーアンプの電源を切り、ターミナルソフトを終了したあと、再度上記の設定を行なってください。

2-3-2. REMOTEおよびMODEL ID検査

Windows PC キーボードのリターンキーを1回押します。REMOTE LEDが点灯することを確認してください。そのときモニター画面に次の文字が表示されます。

```
MODEL ID : 5 (PC9501N)
#
```

2-3-3. 自動検査

2-3-3-1. TEST 10 (STANDBY、PROTECT)

Windows PC キーボードを使用して“00”（半角文字）を入力します。PROTECTION LED が点灯し、POWER LED が橙色に点灯します。

(POWER LED は約2秒間、橙色に点灯します。その後、緑色に点灯します。)

モニター画面に次の文字が表示され、判定が自動的に行われます。

```
>> 00: ALL TEST
>> 10: POWER TEST
Waiting for PROTECTION=NONE...
PROTECTION : NONE --<OK>
POWER:STANDBY
Wait 2sec ..
PROTECTION : ON --<OK>
POWER:ON
```

TEST 10 が OK の場合は、モニター画面に次の文字が表示されます。

```
-----<TEST10:OK>
```

TEST 10 が終了すると、自動的にTEST 20に進みます。

2-3-3-2. TEST 20 (PHASE A ch/B ch)

モニター画面に次の文字が表示されます。

```
>> 20: PHASE TEST
Waiting for PROTECTION=NONE...
CH A:PHASE INVERTED
```

Aチャンネルの入力信号とAチャンネルの出力信号の位相が180°ずれていることを確認し、リターンキーを押します。モニター画面に次の文字が表示されます。

```
CH B:PHASE INVERTED
```

```
_
```

Bチャンネルの入力信号とBチャンネルの出力信号の位相が180°ずれていることを確認し、リターンキーを押します。TEST 20 が OK の場合は、モニター画面に次の文字が表示されます。

```
-----<TEST20:OK>
```

TEST 20 が終了すると、自動的にTEST 30に進みます。

2-3-3-3. TEST 30 (REMOTE)

モニター画面に次の文字が表示されます。

```
>> 30: REMOTE TEST
REMOTE:OFF
```

```
_
```

REMOTE LED が消灯していることを確認し、リターンキーを押します。TEST 30 が OK の場合は、モニター画面に次の文字が表示されます。

```
-----<TEST30:OK>
```

TEST 30 が終了すると、自動的にTEST 40に進みます。

2-3-3-4. TEST 40 (ATT)

モニター画面に次の文字が表示され、判定が自動的に行われます。

```
>> 40: ATT TEST
ATT=-6dB
VSP(CH A) : 14.64 V --<OK>
VSP(CH B) : 14.75 V --<OK>
```

TEST 40 が OK の場合は、モニター画面に次の文字が表示されます。

```
-----<TEST40:OK>
```

TEST 40 が終了すると、自動的に TEST 50 に進みます。

2-3-3-5. TEST 50 (MUTE)

モニター画面に次の文字が表示され、判定が自動的に行われます。

```
>> 50: MUTE TEST
MUTE ON
VSP(CH A) : 0.00 V --<OK>
VSP(CH B) : 0.00 V --<OK>
```

TEST 50 が OK の場合は、モニター画面に次の文字が表示されます。

```
-----<TEST50:OK>
```

TEST 50 が終了すると、自動的に TEST 60 に進みます。

2-3-3-6. TEST 60 (MODE SW)

モニター画面に次の文字が表示されます。

```
>> 60: MODE SW TEST
MODE:STEREO
MODE:BRIDGE
```

MODE SW を STEREO → BRIDGE → PARALLEL の順で切り替えます。
TEST 60 が OK の場合は、モニター画面に次の文字が表示されます。

```
MODE:STEREO
MODE:BRIDGE
MODE:PARALLEL
-----<TEST60:END>
```

TEST 60 が終了すると、自動的に TEST 70 に進みます。

2-3-3-7. TEST 70 (UNIT ID SW)

モニター画面に次の文字が表示されます。

```
>> 70: UNIT ID SW TEST
-00000
-00001
```

AMP ID SW の ID1、ID2、ID4、ID8、ID16 を順次 ON に切り替えます。
モニター画面に次の文字が表示されます。

```
>> 70: UNIT ID SW TEST
-00000
-00001
-00011
-00111
-01111
-11111
```

TEST 70 が OK の場合は、モニター画面に次の文字が表示されます。

```
-----<TEST70:END>
```

TEST 70 が終了すると、自動的に TEST 80 に進みます。

2-3-3-8. TEST 80 (MONITOR)

モニター画面に次の文字が表示され、判定が自動的に行われます。

```
>> 80: MONITOR TEST
TEMP(CH A): 29 C --<OK>
TEMP(CH B): 28 C --<OK>
Vpre(CH A): 0.67 V --<OK>
Vpre(CH B): 0.65 V --<OK>
VSP(CH A) : 29.95 V --<OK>
VSP(CH B) : 30.28 V --<OK>
ISP(CH A) : 3.37 V --<OK>
ISP(CH B) : 3.30 V --<OK>
```

TEST 80 が OK の場合は、モニター画面に次の文字が表示されます。

```
-----<TEST80:OK>
```

TEST 80 が終了すると、自動的に TEST 90 に進みます。

2-3-3-9. TEST 90 (CLIP)

モニター画面に次の文字が表示されます。

```
>> 90: CLIP TEST
Waiting for CLIP=NONE... (CH A)
Waiting for CLIP=NONE... (CH B)
-----<TEST90:OK>
```

負荷抵抗をはずし、入力端子に 1kHz、11.0dB の正弦波を入力します。
TEST 90 が OK の場合は、モニター画面に次の文字が表示されます。

```
Waiting for CLIP=ON... (CH A)
Waiting for CLIP=ON... (CH B)
-----<TEST90:OK>
```

2-4. 判定

自動検査結果がすべて OK の場合は、モニター画面に次の文字が表示されます。

```
-----<TEST ALL:OK>
```

自動検査結果のいずれかが NG の場合は、下記のように NG となった検査項目が表示されます。
(下記は TEST 40 と TEST 80 の結果が NG となった場合)

```
----->>>TEST ALL:NG!<<<
-----<TEST40:NG>
-----<TEST80:NG>
```

<参考>

下記は DATA PORT 検査の各項目を個別に行う場合の手順です。

1. 準備

「2-1. 準備」の項に示す手順と同様

2. 設定

「2-2. 設定」の項に示す手順と同様

3. 検査

「2-3-1. 初期設定」の項に示す初期設定を行い、REMOTE および MODEL ID 検査を行います。その後、Windows PC キーボードを使用して検査を行う TEST 番号を入力します。これにより DATA PORT 検査の各項目を個別に行うことができます。

3. BRIDGE モード時の検査

3-1. 準備

入力アッテネーター	Aチャンネルのみ作動、最大
入力端子	XLR-3-31タイプ、2番：ホット、1、3番：アース
MODE SW	BRIDGE
HPF SW	OFF
出力端子	Aチャンネル+、Bチャンネル+を使用
DATA PORT	使用しない
AMP ID SW	1、2、4、8、16、T OFF
負荷抵抗	8Ω+8Ω 無誘導抵抗、電力容量：1kW以上
測定器の接続	グラウンドをフローティングし、負荷抵抗の midpoint に接続する

3-2. 検査

3-2-1. 利得

入力端子に1kHz、-10.0dBuの正弦波を入力したとき、+22.1 ± 1.0dBの出力電圧を得ることを確認します。

3-2-2. 周波数特性

入力端子に20Hz、1kHz、20kHz、-10.0dBuの正弦波を入力したときの出力電圧が、1kHzの出力電圧を基準に20Hzで0.0 ± 0.5dB以内、20kHzで-0.5 ± 0.5dB以内であることを確認します。

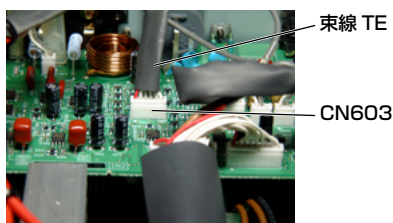
3-2-3. 全高調波歪率特性

入力端子に1kHzの高品位正弦波を入力して下表の出力を得たときの全高調波歪率が、1%以下であることを確認します。この検査は30秒以内に終了してください。

PC9501N
41.2dBu

4. LED点灯検査

CN603から束線TEを引き抜き、POWER SWを投入します。このとき、PROTECTION LEDおよびTEMP LEDが赤色に点灯し、POWER LEDが緑色に点灯することを確認します。またファンが高速で回転することを確認します。検査終了後はすみやかに電源を切り、束線TEをCN603に接続してください。



5. 工場出荷時の設定

入力アッテネーター	∞ (半時計方向に絞り切り)
HPF SW	OFF
MODE SW	STEREO
AMP ID SW	OFF

6. その他

- 0dB=0.775Vとします。
- ノイズレベルの測定には、DINオーディオフィルターを使用してください。

POWER AMPLIFIER

PC9501N

PARTS LIST

■ CONTENTS (目次)

OVERALL ASSEMBLY (総組立).....	2
ELECTRICAL PARTS (電気部品).....	6

Notes : DESTINATION ABBREVIATIONS

A: Australian model	M: South African model
B: British model	O: Chinese model
C: Canadian model	Q: South-east Asia model
D: German model	T: Taiwan model
E: European model	U: U.S.A. model
F: French model	V: General export model (110V)
H: North European model	W: General export model (220V)
I: Indonesian model	N,X: General export model
J: Japanese model	Y: Export model
K: Korean model	

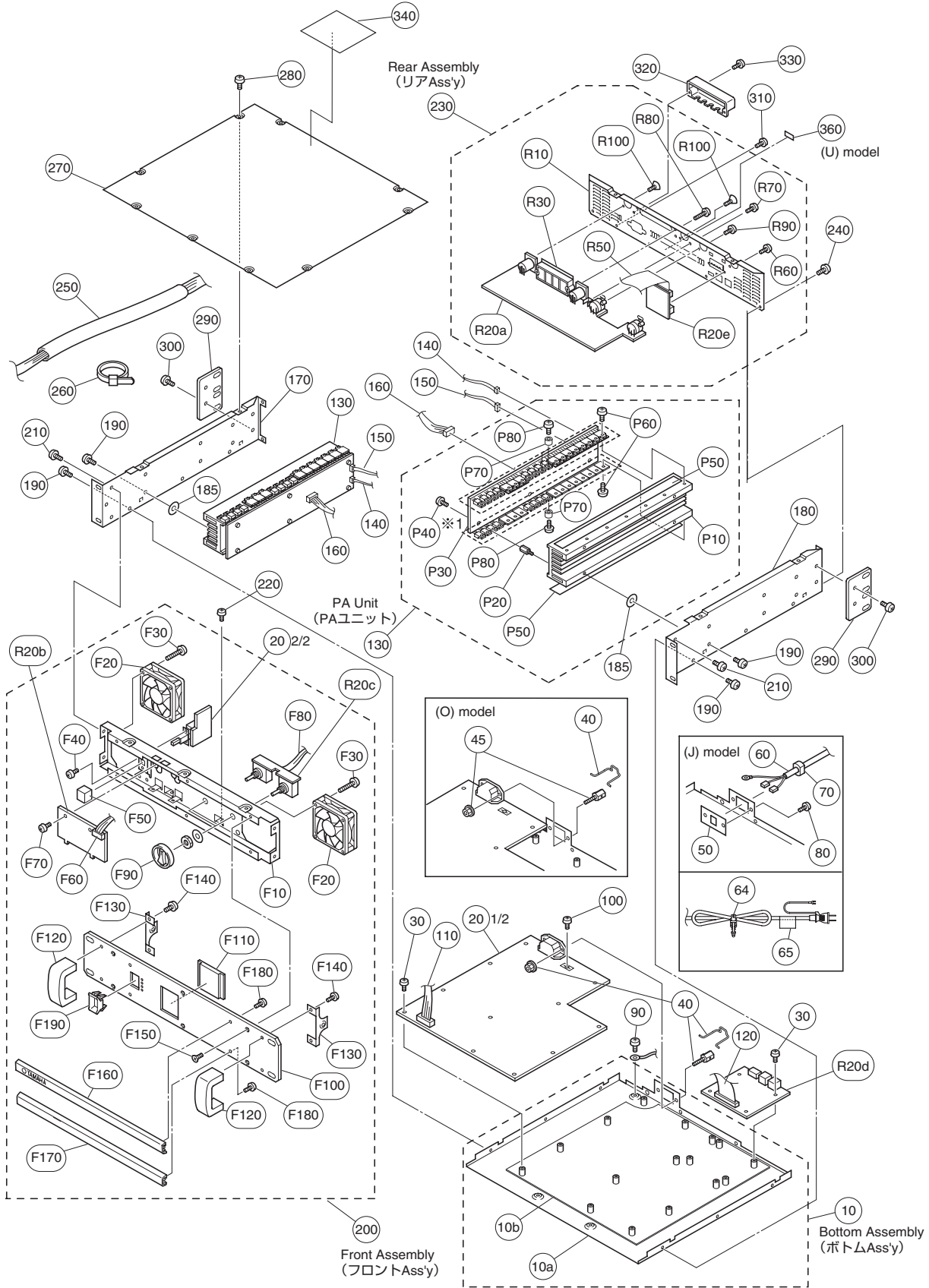
■ WARNING (注意)

Components having special characteristics are marked \triangle and must be replaced with parts having specification equal to those originally installed.

\triangle 印の部品は、安全を維持するために重要な部品です。交換する場合は、安全のために必ず指定の部品をご使用ください。

- The numbers "QTY" show quantities for each unit.
- The parts with "--" in "PART NO." are not available as spare parts.
- This mark "}" in the REMARKS column means these parts are interchangeable.
- The second letter of the shaded () part number is O, not zero.
- The second letter of the shaded () part number is I, not one.
- 部品価格ランクは、変更になることがあります。
- QTY 欄に記載されている数字は、各ユニット当たりの使用個数です。
- PART NO. が "--" の部品は、サービス用部品として準備されておりません。
- REMARKS 欄の「}」マークの部品は、併用部品です。
- 網掛けの付いた PART NO. の 2 番目の文字は「ゼロ」ではなく、「オー」です。
- 網掛けの付いた PART NO. の 2 番目の文字は「イチ」ではなく、「アイ」です。

OVERALL ASSEMBLY (総組立)



※ 1: Details on pair transistors are not included in the ELECTRICAL PARTS section. For details, refer to the list under "PA UNIT".
 ※ 1: ペアトランジスターはPAユニットの構成部品になっていますので、電気部品にはリストが入っていません。部品番号はPAユニットに記載されています。

REF NO.	PART NO.	DESCRIPTION	部 品 名	REMARKS	QTY	RANK
		OVERALL ASSEMBLY		PC9501N		
	--	Overall Assembly	総組立	J (WD61120)		
	--	Overall Assembly	総組立	U,V (WD61130)		
	--	Overall Assembly	総組立	H,W (WD61140)		
	--	Overall Assembly	総組立	B (WD61150)		
	--	Overall Assembly	総組立	A (WD61160)		
	--	Overall Assembly	総組立	K (WD61170)		
	--	Overall Assembly	総組立	T (WD61180)		
	--	Overall Assembly	総組立	O (WD61190)		
* 10	WE741700	Bottom Assembly	ボトムアッセンブリ			
10a	--	Bottom Chassis	PC-N			(WD61940)
* 10b	WE736200	Damper	LR0012A			
* 20	WD517900	Circuit Board	PS10J	J		
* 20	WD518200	Circuit Board	PS10U	U,V,T		
* 20	WD518300	Circuit Board	PS10H	H,B,W,K,O		
* 20	WD518400	Circuit Board	PS10A	A		
* 30	EP600190	Bind Head Tapping Screw-B	3x8 MFZN2BL	＋バインドBタイト	15	01
* 40	V9305700	I/O Rock	JUL	I/Oロック		08
* 40	V9305800	I/O Rock	CE BS	I/Oロック		08
* 40	V5600800	I/O Rock	BS CE	I/Oロック		07
45	V5600300	Support	KYOUTSUU	サポート	2	05
50	--	AC Angle	PC-N	ACアングル		(WD61960)
△ 60	V9842200	AC Cord	2.0x3	電源コード		08
64	V3662800	Cord Strap	CS-180	コードストラップ		01
65	--	Label		注意コードラベル		(WA72810)
70	VV103100	Cord Strain Relief	SR-6P1	コードストッパー		01
80	EP600190	Bind Head Tapping Screw-B	3x8 MFZN2BL	＋バインドBタイト	2	01
90	VP156800	Bind Head Screw	A4x8 MFZN2BL	＋バインド小ネジ		01
90	EG340360	Bind Head Screw	4x8 MFZN2BL	＋バインド小ネジ		01
100	EP600190	Bind Head Tapping Screw-B	3x8 MFZN2BL	＋バインドBタイト		01
* 110	VN667700	Connector Assembly	PH&PH 9P 350L	束線#28		
120	MF137060	Connector Assembly	37P 60mm P=1.25	カード電線C&C	2	02
* 130	WD616900	PA Unit	PC9501N J COMMON	PAユニット		
* 140	WD522000	Connector Assembly	IN	束線IN	2	
* 150	WD522100	Connector Assembly	IN3	束線IN3	2	
* 160	WD522300	Connector Assembly	TE	束線TE	2	
* 170	WD620000	Side Cover L Painted	PAINTED	サイドカバーL塗装		
* 180	WD620100	Side Cover R Painted	PAINTED	サイドカバーR塗装		
* 185	VP367000	Flat Washer	4x9x0.8 MFZN2BL	平座金みがき丸	12	01
190	VR779900	Bonding Tapping Screw-B	4x8 MFZN2BL	ボンディングBタイト	18	01
200	--	Front Assembly	PC9501N J COMMON	フロントアッセンブリ		(WD61740)
210	VR779900	Bonding Tapping Screw-B	4x8 MFZN2BL	ボンディングBタイト	6	01
220	EP600190	Bind Head Tapping Screw-B	3x8 MFZN2BL	＋バインドBタイト	2	01
230	--	Rear Assembly	PC9501N : COMMON	リアアッセンブリ		(WD72570)
240	VR779900	Bonding Tapping Screw-B	4x8 MFZN2BL	ボンディングBタイト	6	01
250	--	Tube	BLACK D=18	スミチューブ		(WD62850)
* 260	CB069250	Cord Holder	BK-1	インシュロックタイ	11	01
270	WD620300	Top Cover Painted	PAINTED	トップカバー塗装		
* 280	VR779900	Bonding Tapping Screw-B	4x8 MFZN2BL	ボンディングBタイト	9	01
* 290	WD620500	Rear Angle Painted	PAINTED	リアアングル塗装	2	
300	EG340190	Bind Head Tapping Screw-B	4x8 MFZN2BL	＋バインドBタイト	4	01
310	VP156800	Bind Head Screw	A4x8 MFZN2BL	＋バインド小ネジ		01
* 320	WD628900	Speaker Terminal Cover	PC-N PRINTED	S Pターミナルカバー		
330	EP600190	Bind Head Tapping Screw-B	3x8 MFZN2BL	＋バインドBタイト	2	01
340	--	Label	PC9501N-J	ラベル		(WD63160)
340	--	Label	PC9501N-U	ラベル		(WD63190)
340	--	Label	PC9501N-H	ラベル		(WD63200)
340	--	Label	PC9501N-A	ラベル		(WD63210)
340	--	Label	PC9501N-K	ラベル		(WD63220)
340	--	Label	PC9501N-K	ラベル		(WD63230)
340	--	Label	PC9501N-CHN	ラベル		(WD63230)
360	--	Label	DATE CODE	ラベル		
		ACCESSORIES				
* 1	V8246400	AC Cord	01 SJT 14AWGX3	付属品 電源コード		09
* 1	V8246500	AC Cord	H05VV-F 3X1.00	電源コード		06
* 1	WE743900	AC Cord	BS H05VV-F3X1.00	電源コード		B
* 1	WC901300	AC Cord	CHN 3 2.5m	電源コード		O
* 1	WD611000	Security Cover Assembly	PC-N	S/Cアッセンブリ		10
* 1	V4559800	Mini Lug Terminal 3P	MC100-50803	ミニ端子台3P	2	04
		FRONT ASSEMBLY				
* F10	WD620600	Front Assembly	PC9501N J COMMON	フロントアッセンブリ		(WD61740)
* F20	V8746700	Front Chassis	PC-N	フロントシャーシ		
		Fan	FBA08A24H1TZ	DCファン	2	09

*: New Parts

RANK: Japan only

REF NO.	PART NO.	DESCRIPTION	部 品 名	REMARKS	QTY	RANK
F30	VT229100	Bind Head Screw	4x30 MFZN2BL	+ バインド小ネジ	4	01
F40	E6330360	Bind Head Screw	3x6 MFZN2B	+ バインド小ネジ	2	01
F50	VL812900	Power Switch Knob	XL700	P S W ノブ	1	03
F60	WD521900	Connector Assembly	PH&PH 11P 310L	束線#28	2	01
F70	EP600190	Bind Head Tapping Screw-B	3x8 MFZN2BL	+ バインドBタイト	2	01
F80	--	Connector Assembly	ATT	束線A T T		
F90	WD629800	Attenuation Knob, Printed	PRINTED	アッテネーターノブ	2	
F100	WD620900	Front Panel	PRINTED	フロントパネル印刷		
F110	WD630100	Window, Printed	PRINTED	ウインドウ印刷		
F120	WD622500	Handle	PAINTED	ハンドル2U塗装	2	
F130	WD621000	Angle,Handle	PC-N	ハンドルアングル	2	
F140	VU688000	Bind Head Screw	SP 5x16 MFZN2BL	+ バインド小ネジ	4	01
F150	VA221200	Flat Head Screw	4x8 MFZN2BL	+ 皿小ネジ	6	01
F160	WD621900	Front Cover	PRINTED	フロントカバー印刷		
F170	WD621800	Front Cover	ANODIZED	フロントカバー処理		
F180	EP600190	Bind Head Tapping Screw-B	3x8 MFZN2BL	+ バインドBタイト	4	01
F190	VL813000	Power Switch Escutcheon	XL700	P S W エスカッション		03
	--	REAR ASSEMBLY				
	--	Rear Assembly	PC9501N : COMMON	リア A s s ' y		
				リア A s s ' y		(WD72570)
R10	WD621300	Rear Panel	PRINTED	リアパネル印刷		
R20	--	Circuit Board	IN10	シートIN10		
R20a	AA62610	Circuit Board	IN10 1/5	シートIN10 1/5		(WD52010)(X5707B0)
R20b	AA62620	Circuit Board	IN10 2/5	シートIN10 2/5		(X5707B0)
R20c	AA62630	Circuit Board	IN10 3/5	シートIN10 3/5		(X5707B0)
R20d	AA62640	Circuit Board	IN10 4/5	シートIN10 4/5		(X5707B0)
R20e	AA62650	Circuit Board	IN10 5/5	シートIN10 5/5		(X5707B0)
R30	--	Earth Film	PC-N	アースフィルム		(WD63020)
R50	MF135060	Connector Assembly	35P 60mm P=1.25	カード電線C&C		01
R60	VC990500	Pan Head Screw	2.6x6 MFZN2BL	+ ナベ小ネジ	2	01
R70	VN413300	Bonding Tapping Screw-B	3x8 MFZN2BL	ボンディングBタイト		01
R80	VQ074600	Bind Head Tapping Screw-B	3x12 MFZN2BL	+ バインドBタイト	2	01
R90	VB096700	Bind Head Tapping Screw-B	2.6x8 MFZN2BL	+ バインドBタイト	4	01
R100	EP600790	Flat Head Tapping Screw-B	3x8 MFZN2BL	+ 皿Bタイト	4	01
	WD616900	PA UNIT		P A ユニット		
P10	--	PA Unit	PC9501N J COMMON	P A ユニット		
P20	VD807400	Heat Sink	PC-N	ヒートシンクPA		(WD62150)
P30	AA69320	Support	H=7.5 B=5.5	支柱	6	01
			PA10	シートPA10		(X5704B0)
P40	E6330360	Bind Head Screw	3x6 MFZN2B	+ バインド小ネジ	6	01
P50	V8414800	Insulation Sheet	TBM51W T=0.15	放熱シート	2	04
P60	VB763800	Bind Head Screw	SP 3x12 MFZN2Y	+ バインド小ネジ	33	01
P70	WA009200	Insulation Bushing	2.6M	絶縁ブッシュ	3	
P80	E6320240	Bind Head Screw	SP 2.6x8 MFZN2Y	+ バインド小ネジ	3	01
D234	V4816400	Diode Stack	FMU-22U 10A 200V	ダイオードスタック		03
D235	V4816400	Diode Stack	FMU-22U 10A 200V	ダイオードスタック		03
D241	V6351700	Diode	SF20L60U	ダイオード		06
D242	V6351700	Diode	SF20L60U	ダイオード		06
IC201	X0670A00	IC	LM35DT	I C T O 2 2 0		05
				Temperature Sensor		
Q212	VQ547200	Transistor	2SA1837 (HFE)	トランジスタ		03
Q228	V9764500	FET	2SK3004 : ST	F E T		04
Q229	V9764500	FET	2SK3004 : ST	F E T		04
Q230	V9764500	FET	2SK3004 : ST	F E T		04
Q231	V9764500	FET	2SK3004 : ST	F E T		04
Q232	V9764500	FET	2SK3004 : ST	F E T		04
Q233	V9764500	FET	2SK3004 : ST	F E T		04
Q234N	WD552500	Pair Transistor	2SA1009/2SC2333-AZ	ペアトランジスタ		05
Q234P	WD552500	Pair Transistor	2SA1009/2SC2333-AZ	ペアトランジスタ		05
Q235N	V8094900	Pair Transistor	A1492AC3856A(260)	ペアトランジスタ		05
Q235P	V8094900	Pair Transistor	A1492AC3856A(260)	ペアトランジスタ		05
Q236N	V8094900	Pair Transistor	A1492AC3856A(260)	ペアトランジスタ		05
Q236P	V8094900	Pair Transistor	A1492AC3856A(260)	ペアトランジスタ		05
Q237N	V8094900	Pair Transistor	A1492AC3856A(260)	ペアトランジスタ		05
Q237P	V8094900	Pair Transistor	A1492AC3856A(260)	ペアトランジスタ		05
Q238N	V8094900	Pair Transistor	A1492AC3856A(260)	ペアトランジスタ		05
Q238P	V8094900	Pair Transistor	A1492AC3856A(260)	ペアトランジスタ		05
Q239N	V8094900	Pair Transistor	A1492AC3856A(260)	ペアトランジスタ		05
Q239P	V8094900	Pair Transistor	A1492AC3856A(260)	ペアトランジスタ		05
Q240N	V8094900	Pair Transistor	A1492AC3856A(260)	ペアトランジスタ		05
Q240P	V8094900	Pair Transistor	A1492AC3856A(260)	ペアトランジスタ		05
Q241N	V8094900	Pair Transistor	A1492AC3856A(260)	ペアトランジスタ		05
Q241P	V8094900	Pair Transistor	A1492AC3856A(260)	ペアトランジスタ		05
Q242N	VR732800	Pair Transistor	A1859A/C4883A	ペアトランジスタ		04
Q242P	VR732800	Pair Transistor	A1859A/C4883A	ペアトランジスタ		04

*: New Parts

RANK: Japan only

REF NO.	PART NO.	DESCRIPTION	部 品 名	REMARKS	QTY	RANK
Q243N	V8094900	Pair Transistor	A1492AC3856A(260)	ペアトランジスタ		05
Q243P	V8094900	Pair Transistor	A1492AC3856A(260)	ペアトランジスタ		05
Q244N	V8094900	Pair Transistor	A1492AC3856A(260)	ペアトランジスタ		05
Q244P	V8094900	Pair Transistor	A1492AC3856A(260)	ペアトランジスタ		05
Q245N	V8094900	Pair Transistor	A1492AC3856A(260)	ペアトランジスタ		05
Q245P	V8094900	Pair Transistor	A1492AC3856A(260)	ペアトランジスタ		05

*: New Parts

RANK: Japan only

■ ELECTRICAL PARTS (電気部品)

REF NO.	PART NO.	DESCRIPTION	部 品 名	REMARKS	QTY	RANK
		ELECTRICAL PARTS	電 気 部 品	PC9501N		
	--	Circuit Board	シ ー ト I N 1 0	(WD52010)(X5707B0)		
*	AAX62610	Circuit Board	シ ー ト I N 1 0 1 / 5	(X5707B0)		
*	AAX62620	Circuit Board	シ ー ト I N 1 0 2 / 5	(X5707B0)		
*	AAX62630	Circuit Board	シ ー ト I N 1 0 3 / 5	(X5707B0)		
*	AAX62640	Circuit Board	シ ー ト I N 1 0 4 / 5	(X5707B0)		
*	AAX62650	Circuit Board	シ ー ト I N 1 0 5 / 5	(X5707B0)		
*	AAX69320	Circuit Board	シ ー ト P A 1 0	(X5704B0)		
*	WD517900	Circuit Board	シ ー ト P S 1 0	J (X5689B0)		
*	WD518200	Circuit Board	シ ー ト P S 1 0	U,V,T (X5689B0)		
*	WD518300	Circuit Board	シ ー ト P S 1 0	H,B,W,K,O (X5689B0)		
*	WD518400	Circuit Board	シ ー ト P S 1 0	A (X5689B0)		
	--	Circuit Board	シ ー ト I N 1 0	(WD52010)(X5707B0)		
*	AAX62610	Circuit Board	シ ー ト I N 1 0 1 / 5	(X5707B0)		
*	AAX62620	Circuit Board	シ ー ト I N 1 0 2 / 5	(X5707B0)		
*	AAX62630	Circuit Board	シ ー ト I N 1 0 3 / 5	(X5707B0)		
*	AAX62640	Circuit Board	シ ー ト I N 1 0 4 / 5	(X5707B0)		
*	AAX62650	Circuit Board	シ ー ト I N 1 0 5 / 5	(X5707B0)		
C401	US064100	Ceramic Capacitor-B(chip)	チ ッ プ セ ラ (B)			01
-405	US064100	Ceramic Capacitor-B(chip)	チ ッ プ セ ラ (B)			01
C406	UR847100	Electrolytic Cap.	ケ ミ コ ン			01
C407	US064100	Ceramic Capacitor-B(chip)	チ ッ プ セ ラ (B)			01
-411	US064100	Ceramic Capacitor-B(chip)	チ ッ プ セ ラ (B)			01
C412	US061220	Ceramic Capacitor-CH(chip)	チ ッ プ セ ラ (C H)			01
C413	US061220	Ceramic Capacitor-CH(chip)	チ ッ プ セ ラ (C H)			01
C414	US064100	Ceramic Capacitor-B(chip)	チ ッ プ セ ラ (B)			01
C415	US064100	Ceramic Capacitor-B(chip)	チ ッ プ セ ラ (B)			01
C416	US061220	Ceramic Capacitor-CH(chip)	チ ッ プ セ ラ (C H)			01
C417	US061220	Ceramic Capacitor-CH(chip)	チ ッ プ セ ラ (C H)			01
C418	US064100	Ceramic Capacitor-B(chip)	チ ッ プ セ ラ (B)			01
C419	US064100	Ceramic Capacitor-B(chip)	チ ッ プ セ ラ (B)			01
C420	US061560	Ceramic Capacitor-CH(chip)	チ ッ プ セ ラ (C H)			01
-423	US061560	Ceramic Capacitor-CH(chip)	チ ッ プ セ ラ (C H)			01
C424	UR847100	Electrolytic Cap.	ケ ミ コ ン			01
C425	VR169000	Monolithic Mylar Capcitor	積 層 マ イ ラ ー コ ン			01
C426	VR169000	Monolithic Mylar Capcitor	積 層 マ イ ラ ー コ ン			01
C427	VR168500	Monolithic Mylar Capcitor	積 層 マ イ ラ ー コ ン			01
C428	VR168500	Monolithic Mylar Capcitor	積 層 マ イ ラ ー コ ン			01
C429	US061560	Ceramic Capacitor-CH(chip)	チ ッ プ セ ラ (C H)			01
C430	US061560	Ceramic Capacitor-CH(chip)	チ ッ プ セ ラ (C H)			01
C431	UR866470	Electrolytic Cap.	ケ ミ コ ン			01
-434	UR866470	Electrolytic Cap.	ケ ミ コ ン			01
C435	US064100	Ceramic Capacitor-B(chip)	チ ッ プ セ ラ (B)			01
C436	UR847220	Electrolytic Cap.	ケ ミ コ ン			01
C437	US064100	Ceramic Capacitor-B(chip)	チ ッ プ セ ラ (B)			01
C438	UR847220	Electrolytic Cap.	ケ ミ コ ン			01
C439	US061100	Ceramic Capacitor-CH(chip)	チ ッ プ セ ラ (C H)			01
C440	UU267220	Electrolytic Cap. FW	ケ ミ コ ン F W			
*	C441	UU267220	Electrolytic Cap. FW	ケ ミ コ ン F W		
C442	UR866470	Electrolytic Cap.	ケ ミ コ ン			01
C443	UR866470	Electrolytic Cap.	ケ ミ コ ン			01
C444	US063220	Ceramic Capacitor-B(chip)	チ ッ プ セ ラ (B)			01
C445	US063220	Ceramic Capacitor-B(chip)	チ ッ プ セ ラ (B)			01
C446	US061560	Ceramic Capacitor-CH(chip)	チ ッ プ セ ラ (C H)			01
C447	US061560	Ceramic Capacitor-CH(chip)	チ ッ プ セ ラ (C H)			01
C448	US064100	Ceramic Capacitor-B(chip)	チ ッ プ セ ラ (B)			01
C449	US064100	Ceramic Capacitor-B(chip)	チ ッ プ セ ラ (B)			01
C450	US063220	Ceramic Capacitor-B(chip)	チ ッ プ セ ラ (B)			01
C451	US063220	Ceramic Capacitor-B(chip)	チ ッ プ セ ラ (B)			01
C452	US064100	Ceramic Capacitor-B(chip)	チ ッ プ セ ラ (B)			01
C453	US064100	Ceramic Capacitor-B(chip)	チ ッ プ セ ラ (B)			01
C601	UR848220	Electrolytic Cap.	ケ ミ コ ン			01
C602	FZ005200	Mylar Capacitor	フ ィ ル ム コ ン			01
-605	FZ005200	Mylar Capacitor	フ ィ ル ム コ ン			01
C606	UR866100	Electrolytic Cap.	ケ ミ コ ン			01
C607	UR848100	Electrolytic Cap.	ケ ミ コ ン			01
C608	WD707400	Ceramic Capacitor B	セ ラ コ ン (B)			
-611	WD707400	Ceramic Capacitor B	セ ラ コ ン (B)			
C612	US063100	Ceramic Capacitor-B(chip)	チ ッ プ セ ラ (B)			01

*: New Parts

RANK: Japan only

REF NO.	PART NO.	DESCRIPTION	部 品 名	REMARKS	QTY	RANK
C613	UR866100	Electrolytic Cap.	1.0 50V	ケ ミ コ ン		01
C614	WD707800	Ceramic Capacitor B	2200P 1KV K RX TP	セ ラ コ ン(B)		
C615	WD707800	Ceramic Capacitor B	2200P 1KV K RX TP	セ ラ コ ン(B)		
C616	US063100	Ceramic Capacitor-B(chip)	1000P 50V K	チ ッ プ セ ラ(B)		01
C617	UR847100	Electrolytic Cap.	10 25V	ケ ミ コ ン		01
C618	UR847100	Electrolytic Cap.	10 25V	ケ ミ コ ン		01
C619	US145100	Ceramic Capacitor-F(chip)	0.1 25V Z	チ ッ プ セ ラ(F)		01
C620	US064100	Ceramic Capacitor-B(chip)	0.01 50V K	チ ッ プ セ ラ(B)		01
C621	US064100	Ceramic Capacitor-B(chip)	0.01 50V K	チ ッ プ セ ラ(B)		01
C622	US145100	Ceramic Capacitor-F(chip)	0.1 25V Z	チ ッ プ セ ラ(F)		01
C623	US064100	Ceramic Capacitor-B(chip)	0.01 50V K	チ ッ プ セ ラ(B)		01
-627	US064100	Ceramic Capacitor-B(chip)	0.01 50V K	チ ッ プ セ ラ(B)		01
C628	UR848100	Electrolytic Cap.	100 25V	ケ ミ コ ン		01
C629	UR848100	Electrolytic Cap.	100 25V	ケ ミ コ ン		01
C630	US064100	Ceramic Capacitor-B(chip)	0.01 50V K	チ ッ プ セ ラ(B)		01
C631	US064100	Ceramic Capacitor-B(chip)	0.01 50V K	チ ッ プ セ ラ(B)		01
C632	UA653180	Mylar Capacitor	1800P 50V J	マ イ ラ ー コ ン		01
C633	UA653180	Mylar Capacitor	1800P 50V J	マ イ ラ ー コ ン		01
C634	US064100	Ceramic Capacitor-B(chip)	0.01 50V K	チ ッ プ セ ラ(B)		01
C635	UA654470	Mylar Capacitor	0.047 50V J	マ イ ラ ー コ ン		01
C636	UA654470	Mylar Capacitor	0.047 50V J	マ イ ラ ー コ ン		01
C637	US064100	Ceramic Capacitor-B(chip)	0.01 50V K	チ ッ プ セ ラ(B)		01
C638	US064100	Ceramic Capacitor-B(chip)	0.01 50V K	チ ッ プ セ ラ(B)		01
C639	US063100	Ceramic Capacitor-B(chip)	1000P 50V K	チ ッ プ セ ラ(B)		01
C640	UR847470	Electrolytic Cap.	47 25V	ケ ミ コ ン		01
C641	UR847330	Electrolytic Cap.	33 25V	ケ ミ コ ン		01
C642	UR847330	Electrolytic Cap.	33 25V	ケ ミ コ ン		01
C643	UR866100	Electrolytic Cap.	1.0 50V	ケ ミ コ ン		01
C644	UR866100	Electrolytic Cap.	1.0 50V	ケ ミ コ ン		01
C645	V3152100	Ceramic Capacitor-CH(chip)	100P 50V J	チ ッ プ セ ラ(C H)		01
C646	V3152100	Ceramic Capacitor-CH(chip)	100P 50V J	チ ッ プ セ ラ(C H)		01
C647	UR847470	Electrolytic Cap.	47 25V	ケ ミ コ ン		01
C650	US063100	Ceramic Capacitor-B(chip)	1000P 50V K	チ ッ プ セ ラ(B)		01
C701	US064100	Ceramic Capacitor-B(chip)	0.01 50V K	チ ッ プ セ ラ(B)		01
C702	UF046470	Electrolytic Cap. (chip)	4.7 25V	チ ッ プ ケ ミ コ ン		01
C703	US064100	Ceramic Capacitor-B(chip)	0.01 50V K	チ ッ プ セ ラ(B)		01
C704	UF046470	Electrolytic Cap. (chip)	4.7 25V	チ ッ プ ケ ミ コ ン		01
C705	UF046470	Electrolytic Cap. (chip)	4.7 25V	チ ッ プ ケ ミ コ ン		01
C706	UF066100	Electrolytic Cap. (chip)	1.0 50V	チ ッ プ ケ ミ コ ン		01
C707	US064100	Ceramic Capacitor-B(chip)	0.01 50V K	チ ッ プ セ ラ(B)		01
C708	UF046470	Electrolytic Cap. (chip)	4.7 25V	チ ッ プ ケ ミ コ ン		01
C709	UF046470	Electrolytic Cap. (chip)	4.7 25V	チ ッ プ ケ ミ コ ン		01
C710	UF066100	Electrolytic Cap. (chip)	1.0 50V	チ ッ プ ケ ミ コ ン		01
C801	US061330	Ceramic Capacitor-CH(chip)	33P 50V J	チ ッ プ セ ラ(C H)		01
C802	US061330	Ceramic Capacitor-CH(chip)	33P 50V J	チ ッ プ セ ラ(C H)		01
* C803	US145100	Ceramic Capacitor-F(chip)	0.1 25V Z	チ ッ プ セ ラ(F)		01
C804	V5851000	Ceramic Capacitor-CH(chip)	470P 50V J	チ ッ プ セ ラ(C H)		01
C806	UR847470	Electrolytic Cap.	47 25V	ケ ミ コ ン		01
C807	US145100	Ceramic Capacitor-F(chip)	0.1 25V Z	チ ッ プ セ ラ(F)		01
-809	US145100	Ceramic Capacitor-F(chip)	0.1 25V Z	チ ッ プ セ ラ(F)		01
C810	V3152100	Ceramic Capacitor-CH(chip)	100P 50V J	チ ッ プ セ ラ(C H)		01
C811	US145100	Ceramic Capacitor-F(chip)	0.1 25V Z	チ ッ プ セ ラ(F)		01
C812	US145100	Ceramic Capacitor-F(chip)	0.1 25V Z	チ ッ プ セ ラ(F)		01
C813	UR847470	Electrolytic Cap.	47 25V	ケ ミ コ ン		01
C814	US145100	Ceramic Capacitor-F(chip)	0.1 25V Z	チ ッ プ セ ラ(F)		01
C815	US063220	Ceramic Capacitor-B(chip)	2200P 50V K	チ ッ プ セ ラ(B)		01
-822	US063220	Ceramic Capacitor-B(chip)	2200P 50V K	チ ッ プ セ ラ(B)		01
C823	US145100	Ceramic Capacitor-F(chip)	0.1 25V Z	チ ッ プ セ ラ(F)		01
-825	US145100	Ceramic Capacitor-F(chip)	0.1 25V Z	チ ッ プ セ ラ(F)		01
C826	UR847470	Electrolytic Cap.	47 25V	ケ ミ コ ン		01
C827	US145100	Ceramic Capacitor-F(chip)	0.1 25V Z	チ ッ プ セ ラ(F)		01
C828	UR847470	Electrolytic Cap.	47 25V	ケ ミ コ ン		01
C829	US145100	Ceramic Capacitor-F(chip)	0.1 25V Z	チ ッ プ セ ラ(F)		01
C901	US064100	Ceramic Capacitor-B(chip)	0.01 50V K	チ ッ プ セ ラ(B)		01
-908	US064100	Ceramic Capacitor-B(chip)	0.01 50V K	チ ッ プ セ ラ(B)		01
C909	V3159300	Monolithic Mylar Capcitor	ECQ-V1H155JL3	積 層 マ イ ラ ー コ ン		02
C910	V3159300	Monolithic Mylar Capcitor	ECQ-V1H155JL3	積 層 マ イ ラ ー コ ン		02
C911	US064100	Ceramic Capacitor-B(chip)	0.01 50V K	チ ッ プ セ ラ(B)		01
-914	US064100	Ceramic Capacitor-B(chip)	0.01 50V K	チ ッ プ セ ラ(B)		01
C915	VU838100	Monolithic Mylar Capcitor	ECQ-V1H105JL3	積 層 マ イ ラ ー コ ン		01
-918	VU838100	Monolithic Mylar Capcitor	ECQ-V1H105JL3	積 層 マ イ ラ ー コ ン		01
C919	UN847100	Electrolytic Cap.-BP	10 25V	B P ケ ミ コ ン		01
C920	UN847100	Electrolytic Cap.-BP	10 25V	B P ケ ミ コ ン		01
CN401	VQ046400	Connector, FFC	52044 35P SE	F F C コ ネ ク タ ー		01
CN402	VQ048400	Connector, FFC	52045 35P TE	F F C コ ネ ク タ ー		01

*: New Parts

RANK: Japan only

REF NO.	PART NO.	DESCRIPTION	部 品 名	REMARKS	QTY	RANK
CN403	VB389900	Connector	PH 3P TE	コネクタベースポスト		01
CN404	VB389900	Connector	PH 3P TE	コネクタベースポスト		01
CN405	VQ046600	Connector, FFC	52044 37P SE	F F C コネクタ		01
CN406	VB390300	Connector	PH 7P TE	コネクタベースポスト		01
CN407	VB390300	Connector	PH 7P TE	コネクタベースポスト		01
CN601	VB390700	Connector	PH 11P TE	コネクタベースポスト		01
CN602	VB390500	Connector	PH 9P TE	コネクタベースポスト		03
CN603	VB390200	Connector	PH 6P TE	コネクタベースポスト		01
CN604	VB390200	Connector	PH 6P TE	コネクタベースポスト		01
CN605	VZ005700	Fasten Terminal	TP82223-22	ファストン端子		01
-608	VZ005700	Fasten Terminal	TP82223-22	ファストン端子		01
CN609	VB389800	Connector	PH 2P TE	コネクタベースポスト		01
CN610	VB389800	Connector	PH 2P TE	コネクタベースポスト		01
CN701	VB389600	Connector	PH 11P SE	コネクタベースポスト		01
CN801	VQ048600	Connector, FFC	52045 37P TE	F F C コネクタ		01
D401	VT332900	Diode	1SS355 TE-17	ダイオード		01
-411	VT332900	Diode	1SS355 TE-17	ダイオード		01
D601	VT332900	Diode	1SS355 TE-17	ダイオード		01
-603	VT332900	Diode	1SS355 TE-17	ダイオード		01
D605	VT332900	Diode	1SS355 TE-17	ダイオード		01
-615	VT332900	Diode	1SS355 TE-17	ダイオード		01
D701	VU996600	Zener Diode	MA8130-M 13.0V	ツェナーダイオード		01
D702	VT332900	Diode	1SS355 TE-17	ダイオード		01
D705	VT332900	Diode	1SS355 TE-17	ダイオード		01
D801	VT332900	Diode	1SS355 TE-17	ダイオード		01
-820	VT332900	Diode	1SS355 TE-17	ダイオード		01
D901	VT332900	Diode	1SS355 TE-17	ダイオード		01
-912	VT332900	Diode	1SS355 TE-17	ダイオード		01
D914	VT332900	Diode	1SS355 TE-17	ダイオード		01
-925	VT332900	Diode	1SS355 TE-17	ダイオード		01
EM801	VV056900	Noise Filter	ZJSR5101-223TA	ノイズフィルター-EM I		01
* IC401	X6317A00	IC	M5238AFP OP AMP	アンプ I C フラット	OP AMP	
IC402	X3505A00	IC	NJM2068M-D(TE2)	アンプ I C S O P	OP AMP	02
-407	X3505A00	IC	NJM2068M-D(TE2)	アンプ I C S O P	OP AMP	02
IC408	X2101A00	IC	TC9413AP	I C	VOLUME	06
* IC409	X5042A00	IC	NJM13600M(TE2) OPA	アンプ I C D M P	OP AMP	
IC410	X3505A00	IC	NJM2068M-D(TE2)	アンプ I C S O P	OP AMP	02
* IC601	X5804A00	IC	NJM4558M-TE2	アンプ I C	OP AMP	
* -606	X5804A00	IC	NJM4558M-TE2	アンプ I C	OP AMP	
IC701	X0654A00	IC	LB1409M	I C	LED DRIVER	05
IC702	X0654A00	IC	LB1409M	I C	LED DRIVER	05
* IC801	X5719B00	IC	HD64F7044F28V WTF	I C	CPU	
IC802	X2155A00	IC	DS36276M	I C	TRANSCEIVER	06
IC803	XP226A00	IC	IC-PST591DMT	I C	SYSTEM RESET	03
IC804	XY806A00	IC	TC7WH14FU	I C	INVERTER	02
IC805	XY959A00	IC	74VHC125SJX	ロジック I C S O P	BUFFER	02
IC901	X3505A00	IC	NJM2068M-D(TE2)	アンプ I C S O P	OP AMP	02
-906	X3505A00	IC	NJM2068M-D(TE2)	アンプ I C S O P	OP AMP	02
JK401	V9234300	XML Connector	JACK NC3FBH1	キャノンコネクタ	INPUT A	06
JK402	V9234300	XML Connector	JACK NC3FBH1	キャノンコネクタ	INPUT B	06
JK403	V4177800	Mini Lug Terminal	ME060-50806	ミニ端子台 6 P	INPUT	
JK801	V8244900	Modular Jack	52018-8845	モジュラージャック 8 P	DATA PORT2	04
JK802	V8244900	Modular Jack	52018-8845	モジュラージャック 8 P	DATA PORT1	04
* K401	WD656100	Terminal Plate	PC-N	ターミナル金具		
* K601	WD656200	Ground Plate	PC-N	G N D 金具		
L601	V8937400	Coil	RZ-001/SPR 21mm1.5	空芯コイル 1.5 uH		
L602	V8937400	Coil	RZ-001/SPR 21mm1.5	空芯コイル 1.5 uH		
L603	V8937500	Coil	RZ-001 7.5T 0.5uH	空芯コイル 0.5 uH		
L604	V8937500	Coil	RZ-001 7.5T 0.5uH	空芯コイル 0.5 uH		
L802	VS740100	Chip Inductance	BLM21B751S 2125	チップインダクタ		03
L804	VS740100	Chip Inductance	BLM21B751S 2125	チップインダクタ		03
-838	VS740100	Chip Inductance	BLM21B751S 2125	チップインダクタ		03
LD701	V8181400	LED Level Meter	DC-6G3Y1HWA	L E D レベルメーター	LEVEL METER A	05
LD702	VT942200	LED	SLP-135B-51 ST-TP	L E D	TEMP	01
LD703	VT942200	LED	SLP-135B-51 ST-TP	L E D	PROTECT	01
LD704	VR080300	LED	SLR-342MG3F GREEN	L E D	REMOTE	01
LD705	V8181400	LED Level Meter	DC-6G3Y1HWA	L E D レベルメーター	LEVEL METER B	05
LD706	VZ059800	LED	SLP-581D-37 RE/GR	2 色 L E D	POWER/STAND-BY	02
Q401	VV556500	Transistor	2SA1037AK Q,R,S	トランジスタ		01
Q402	VV556500	Transistor	2SA1037AK Q,R,S	トランジスタ		01
Q403	VV556400	Transistor	2SC2412K Q,R,S	トランジスタ		01
Q404	VV655000	Digital Transistor	DTA114EKA TP	デジタルトランジスタ		01
Q405	VV655400	Digital Transistor	DTC114EKA TP	デジタルトランジスタ		01
Q406	VV556500	Transistor	2SA1037AK Q,R,S	トランジスタ		01
Q407	VV556500	Transistor	2SA1037AK Q,R,S	トランジスタ		01

*: New Parts

RANK: Japan only

REF NO.	PART NO.	DESCRIPTION	部 品 名	REMARKS	QTY	RANK
Q408	VV556400	Transistor	2SC2412K Q,R,S	ト ラ ン ジ ス タ		01
Q409	VV655000	Digital Transistor	DTA114EKA TP	デ ジ タ ル ト ラ ン ジ ス タ		01
Q410	VV655400	Digital Transistor	DTC114EKA TP	デ ジ タ ル ト ラ ン ジ ス タ		01
Q411	VV655000	Digital Transistor	DTA114EKA TP	デ ジ タ ル ト ラ ン ジ ス タ		01
-413	VV655000	Digital Transistor	DTA114EKA TP	デ ジ タ ル ト ラ ン ジ ス タ		01
Q414	VV655400	Digital Transistor	DTC114EKA TP	デ ジ タ ル ト ラ ン ジ ス タ		01
-416	VV655400	Digital Transistor	DTC114EKA TP	デ ジ タ ル ト ラ ン ジ ス タ		01
Q417	VV655000	Digital Transistor	DTA114EKA TP	デ ジ タ ル ト ラ ン ジ ス タ		01
Q418	VD303700	Transistor	2SC3326 A,B TE85R	ト ラ ン ジ ス タ		01
Q419	VV655400	Digital Transistor	DTC114EKA TP	デ ジ タ ル ト ラ ン ジ ス タ		01
Q420	VD303700	Transistor	2SC3326 A,B TE85R	ト ラ ン ジ ス タ		01
Q421	VV655400	Digital Transistor	DTC114EKA TP	デ ジ タ ル ト ラ ン ジ ス タ		01
Q422	VV655000	Digital Transistor	DTA114EKA TP	デ ジ タ ル ト ラ ン ジ ス タ		01
Q423	VV655000	Digital Transistor	DTA114EKA TP	デ ジ タ ル ト ラ ン ジ ス タ		01
Q601	VV655000	Digital Transistor	DTA114EKA TP	デ ジ タ ル ト ラ ン ジ ス タ		01
Q602	VV655400	Digital Transistor	DTC114EKA TP	デ ジ タ ル ト ラ ン ジ ス タ		01
Q603	VV556500	Transistor	2SA1037AK Q,R,S	ト ラ ン ジ ス タ		01
Q604	VV655000	Digital Transistor	DTA114EKA TP	デ ジ タ ル ト ラ ン ジ ス タ		01
Q605	VV655400	Digital Transistor	DTC114EKA TP	デ ジ タ ル ト ラ ン ジ ス タ		01
Q606	VV655400	Digital Transistor	DTC114EKA TP	デ ジ タ ル ト ラ ン ジ ス タ		01
Q607	VV655000	Digital Transistor	DTA114EKA TP	デ ジ タ ル ト ラ ン ジ ス タ		01
Q608	VV655000	Digital Transistor	DTA114EKA TP	デ ジ タ ル ト ラ ン ジ ス タ		01
Q609	VV655400	Digital Transistor	DTC114EKA TP	デ ジ タ ル ト ラ ン ジ ス タ		01
-613	VV655400	Digital Transistor	DTC114EKA TP	デ ジ タ ル ト ラ ン ジ ス タ		01
Q614	VV556400	Transistor	2SC2412K Q,R,S	ト ラ ン ジ ス タ		01
Q615	VV556400	Transistor	2SC2412K Q,R,S	ト ラ ン ジ ス タ		01
Q616	VV655000	Digital Transistor	DTA114EKA TP	デ ジ タ ル ト ラ ン ジ ス タ		01
Q617	VV655000	Digital Transistor	DTA114EKA TP	デ ジ タ ル ト ラ ン ジ ス タ		01
Q618	VV556400	Transistor	2SC2412K Q,R,S	ト ラ ン ジ ス タ		01
Q619	VV655000	Digital Transistor	DTA114EKA TP	デ ジ タ ル ト ラ ン ジ ス タ		01
Q620	VV556500	Transistor	2SA1037AK Q,R,S	ト ラ ン ジ ス タ		01
Q621	VV556400	Transistor	2SC2412K Q,R,S	ト ラ ン ジ ス タ		01
Q622	VV556400	Transistor	2SC2412K Q,R,S	ト ラ ン ジ ス タ		01
Q623	VV655400	Digital Transistor	DTC114EKA TP	デ ジ タ ル ト ラ ン ジ ス タ		01
Q624	VV556400	Transistor	2SC2412K Q,R,S	ト ラ ン ジ ス タ		01
Q625	VV655400	Digital Transistor	DTC114EKA TP	デ ジ タ ル ト ラ ン ジ ス タ		01
Q626	VV556500	Transistor	2SA1037AK Q,R,S	ト ラ ン ジ ス タ		01
Q627	VV655400	Digital Transistor	DTC114EKA TP	デ ジ タ ル ト ラ ン ジ ス タ		01
Q628	VV655400	Digital Transistor	DTC114EKA TP	デ ジ タ ル ト ラ ン ジ ス タ		01
Q629	VV556400	Transistor	2SC2412K Q,R,S	ト ラ ン ジ ス タ		01
Q630	VV556500	Transistor	2SA1037AK Q,R,S	ト ラ ン ジ ス タ		01
Q631	VV556400	Transistor	2SC2412K Q,R,S	ト ラ ン ジ ス タ		01
Q632	VV655400	Digital Transistor	DTC114EKA TP	デ ジ タ ル ト ラ ン ジ ス タ		01
-635	VV655400	Digital Transistor	DTC114EKA TP	デ ジ タ ル ト ラ ン ジ ス タ		01
Q636	VV655000	Digital Transistor	DTA114EKA TP	デ ジ タ ル ト ラ ン ジ ス タ		01
Q637	VV655000	Digital Transistor	DTA114EKA TP	デ ジ タ ル ト ラ ン ジ ス タ		01
Q701	VV556400	Transistor	2SC2412K Q,R,S	ト ラ ン ジ ス タ		01
-708	VV556400	Transistor	2SC2412K Q,R,S	ト ラ ン ジ ス タ		01
Q709	V4096100	Transistor	2SC4614 S,T	ト ラ ン ジ ス タ		02
Q710	VV556400	Transistor	2SC2412K Q,R,S	ト ラ ン ジ ス タ		01
Q711	V2797600	Transistor	2SA1993 E,F	ト ラ ン ジ ス タ		01
Q713	VV556400	Transistor	2SC2412K Q,R,S	ト ラ ン ジ ス タ		01
-721	VV556400	Transistor	2SC2412K Q,R,S	ト ラ ン ジ ス タ		01
Q722	V2797600	Transistor	2SA1993 E,F	ト ラ ン ジ ス タ		01
Q723	VV655400	Digital Transistor	DTC114EKA TP	デ ジ タ ル ト ラ ン ジ ス タ		01
R401	RD357100	Carbon Resistor (chip)	10K 63M J	チ ッ プ 抵 抗		01
R402	RD356220	Carbon Resistor (chip)	2.2K 63M J	チ ッ プ 抵 抗		01
R403	RD356220	Carbon Resistor (chip)	2.2K 63M J	チ ッ プ 抵 抗		01
R404	RD355100	Carbon Resistor (chip)	100 63M J	チ ッ プ 抵 抗		01
R405	RD357220	Carbon Resistor (chip)	22K 63M J	チ ッ プ 抵 抗		01
R406	RD357220	Carbon Resistor (chip)	22K 63M J	チ ッ プ 抵 抗		01
R407	RD356300	Carbon Resistor (chip)	3.0K 63M J	チ ッ プ 抵 抗		01
R408	RD356100	Carbon Resistor (chip)	1.0K 63M J	チ ッ プ 抵 抗		01
R409	RD357220	Carbon Resistor (chip)	22K 63M J	チ ッ プ 抵 抗		01
R410	RD357220	Carbon Resistor (chip)	22K 63M J	チ ッ プ 抵 抗		01
R411	RD355330	Carbon Resistor (chip)	330 63M J	チ ッ プ 抵 抗		01
R412	RD357110	Carbon Resistor (chip)	11K 63M J	チ ッ プ 抵 抗		01
R413	RD357560	Carbon Resistor (chip)	56K 63M J	チ ッ プ 抵 抗		01
R414	RD357220	Carbon Resistor (chip)	22K 63M J	チ ッ プ 抵 抗		01
R416	RD357220	Carbon Resistor (chip)	22K 63M J	チ ッ プ 抵 抗		01
* R417	WE670400	Carbon Resistor (chip)	10K 1/10W G	チ ッ プ 抵 抗		01
* -420	WE670400	Carbon Resistor (chip)	10K 1/10W G	チ ッ プ 抵 抗		01
R421	RD356300	Carbon Resistor (chip)	3.0K 63M J	チ ッ プ 抵 抗		01
R422	RD356100	Carbon Resistor (chip)	1.0K 63M J	チ ッ プ 抵 抗		01
R423	RD357220	Carbon Resistor (chip)	22K 63M J	チ ッ プ 抵 抗		01

*: New Parts

RANK: Japan only

REF NO.	PART NO.	DESCRIPTION	部 品 名	REMARKS	QTY	RANK
* R424	WE670400	Carbon Resistor (chip)	10K 1/10W G	チ ッ プ 抵 抗		
* R425	WE670400	Carbon Resistor (chip)	10K 1/10W G	チ ッ プ 抵 抗		
R426	RD357220	Carbon Resistor (chip)	22K 63M J	チ ッ プ 抵 抗		01
* R427	WE670400	Carbon Resistor (chip)	10K 1/10W G	チ ッ プ 抵 抗		
* R428	WE670400	Carbon Resistor (chip)	10K 1/10W G	チ ッ プ 抵 抗		
R429	RD355330	Carbon Resistor (chip)	330 63M J	チ ッ プ 抵 抗		01
R430	RD357110	Carbon Resistor (chip)	11K 63M J	チ ッ プ 抵 抗		01
R431	RD357560	Carbon Resistor (chip)	56K 63M J	チ ッ プ 抵 抗		01
R432	RD357220	Carbon Resistor (chip)	22K 63M J	チ ッ プ 抵 抗		01
R433	RD354180	Carbon Resistor (chip)	18 63M J	チ ッ プ 抵 抗		01
R434	RD354180	Carbon Resistor (chip)	18 63M J	チ ッ プ 抵 抗		01
R435	RF357180	Carbon Resistor (chip)	18K D 1608	チ ッ プ 抵 抗		
R436	RF357180	Carbon Resistor (chip)	18K D 1608	チ ッ プ 抵 抗		
R437	RF357560	Carbon Resistor (chip)	56K D 1608	チ ッ プ 抵 抗		
R438	RF357560	Carbon Resistor (chip)	56K D 1608	チ ッ プ 抵 抗		
R439	RD354180	Carbon Resistor (chip)	18 63M J	チ ッ プ 抵 抗		01
R440	RD354180	Carbon Resistor (chip)	18 63M J	チ ッ プ 抵 抗		01
R442	RD355560	Carbon Resistor (chip)	560 63M J	チ ッ プ 抵 抗		01
R443	RD358100	Carbon Resistor (chip)	100K 63M J	チ ッ プ 抵 抗		01
R444	RF356470	Carbon Resistor (chip)	4.7K D 1608	チ ッ プ 抵 抗		01
R445	RF356470	Carbon Resistor (chip)	4.7K D 1608	チ ッ プ 抵 抗		01
R446	RD356270	Carbon Resistor (chip)	2.7K 63M J	チ ッ プ 抵 抗		01
R447	RD356270	Carbon Resistor (chip)	2.7K 63M J	チ ッ プ 抵 抗		01
R448	RF356470	Carbon Resistor (chip)	4.7K D 1608	チ ッ プ 抵 抗		01
R449	RF356470	Carbon Resistor (chip)	4.7K D 1608	チ ッ プ 抵 抗		01
R450	RD354180	Carbon Resistor (chip)	18 63M J	チ ッ プ 抵 抗		01
R451	RD354180	Carbon Resistor (chip)	18 63M J	チ ッ プ 抵 抗		01
R453	RD355560	Carbon Resistor (chip)	560 63M J	チ ッ プ 抵 抗		01
R454	RD358100	Carbon Resistor (chip)	100K 63M J	チ ッ プ 抵 抗		01
R455	RF356470	Carbon Resistor (chip)	4.7K D 1608	チ ッ プ 抵 抗		01
R456	RF356470	Carbon Resistor (chip)	4.7K D 1608	チ ッ プ 抵 抗		01
R457	RD354180	Carbon Resistor (chip)	18 63M J	チ ッ プ 抵 抗		01
R458	RD354180	Carbon Resistor (chip)	18 63M J	チ ッ プ 抵 抗		01
R459	RD358100	Carbon Resistor (chip)	100K 63M J	チ ッ プ 抵 抗		01
R460	RD358100	Carbon Resistor (chip)	100K 63M J	チ ッ プ 抵 抗		01
R461	RD354180	Carbon Resistor (chip)	18 63M J	チ ッ プ 抵 抗		01
R462	RD354180	Carbon Resistor (chip)	18 63M J	チ ッ プ 抵 抗		01
R463	RD357300	Carbon Resistor (chip)	30K 63M J	チ ッ プ 抵 抗		01
R464	RF356470	Carbon Resistor (chip)	4.7K D 1608	チ ッ プ 抵 抗		01
R465	RD356270	Carbon Resistor (chip)	2.7K 63M J	チ ッ プ 抵 抗		01
R466	RF356470	Carbon Resistor (chip)	4.7K D 1608	チ ッ プ 抵 抗		01
R467	RD354180	Carbon Resistor (chip)	18 63M J	チ ッ プ 抵 抗		01
* R468	WE457300	Carbon Resistor	330 1/3W F	力 ー ボ ン 抵 抗		
* R469	WE457300	Carbon Resistor	330 1/3W F	力 ー ボ ン 抵 抗		
R471	RD350000	Carbon Resistor (chip)	0 63M J	チ ッ プ 抵 抗		01
R473	RD350000	Carbon Resistor (chip)	0 63M J	チ ッ プ 抵 抗		01
R475	RD350000	Carbon Resistor (chip)	0 63M J	チ ッ プ 抵 抗		01
R477	RD350000	Carbon Resistor (chip)	0 63M J	チ ッ プ 抵 抗		01
R478	RD350000	Carbon Resistor (chip)	0 63M J	チ ッ プ 抵 抗		01
R481	RD350000	Carbon Resistor (chip)	0 63M J	チ ッ プ 抵 抗		01
R482	RD350000	Carbon Resistor (chip)	0 63M J	チ ッ プ 抵 抗		01
R484	RD358100	Carbon Resistor (chip)	100K 63M J	チ ッ プ 抵 抗		01
R485	RD358100	Carbon Resistor (chip)	100K 63M J	チ ッ プ 抵 抗		01
R486	RD355820	Carbon Resistor (chip)	820 63M J	チ ッ プ 抵 抗		01
R487	RD355820	Carbon Resistor (chip)	820 63M J	チ ッ プ 抵 抗		01
R488	RF357150	Carbon Resistor (chip)	15K D 1608	チ ッ プ 抵 抗		01
R489	RF357150	Carbon Resistor (chip)	15K D 1608	チ ッ プ 抵 抗		01
R490	RF357120	Carbon Resistor (chip)	12K D 1608	チ ッ プ 抵 抗		01
R491	RF357120	Carbon Resistor (chip)	12K D 1608	チ ッ プ 抵 抗		01
R492	RD357200	Carbon Resistor (chip)	20K 63M J	チ ッ プ 抵 抗		01
R493	RD357200	Carbon Resistor (chip)	20K 63M J	チ ッ プ 抵 抗		01
R494	RD358390	Carbon Resistor (chip)	390K 63M J	チ ッ プ 抵 抗		01
R495	RD358390	Carbon Resistor (chip)	390K 63M J	チ ッ プ 抵 抗		01
R496	RD357390	Carbon Resistor (chip)	39K 63M J	チ ッ プ 抵 抗		01
R497	RD357390	Carbon Resistor (chip)	39K 63M J	チ ッ プ 抵 抗		01
R498	RD355100	Carbon Resistor (chip)	100 63M J	チ ッ プ 抵 抗		01
-501	RD355100	Carbon Resistor (chip)	100 63M J	チ ッ プ 抵 抗		01
R502	RD356470	Carbon Resistor (chip)	4.7K 63M J	チ ッ プ 抵 抗		01
R601	VR147600	Metal Oxide Film Resistor	4.7 3W J	酸 化 金 属 被 膜 抵 抗		01
R602	VR147600	Metal Oxide Film Resistor	4.7 3W J	酸 化 金 属 被 膜 抵 抗		01
R603	RD357300	Carbon Resistor (chip)	30K 63M J	チ ッ プ 抵 抗		01
R604	RD355220	Carbon Resistor (chip)	220 63M J	チ ッ プ 抵 抗		01
R605	VR147600	Metal Oxide Film Resistor	4.7 3W J	酸 化 金 属 被 膜 抵 抗		01
R606	VR147600	Metal Oxide Film Resistor	4.7 3W J	酸 化 金 属 被 膜 抵 抗		01
R607	RD357470	Carbon Resistor (chip)	47K 63M J	チ ッ プ 抵 抗		01

*: New Parts

RANK: Japan only

REF NO.	PART NO.	DESCRIPTION	部 品 名	REMARKS	QTY	RANK
R608	HV753470	Flame Proof C.Resistor	4.7 1/4W J	不 燃 化 力 ー ボ ン 抵 抗		01
R609	HV753470	Flame Proof C.Resistor	4.7 1/4W J	不 燃 化 力 ー ボ ン 抵 抗		01
R610	RD356470	Carbon Resistor (chip)	4.7K 63M J	チ ッ プ 抵 抗		01
R611	RD355220	Carbon Resistor (chip)	220 63M J	チ ッ プ 抵 抗		01
R612	RF357360	Carbon Resistor (chip)	36K D 1608	チ ッ プ 抵 抗		01
R613	RF357470	Carbon Resistor (chip)	47K D 1608	チ ッ プ 抵 抗		01
R614	RF356430	Carbon Resistor (chip)	4.3K D 1608	チ ッ プ 抵 抗		01
R615	RF356430	Carbon Resistor (chip)	4.3K D 1608	チ ッ プ 抵 抗		01
R616	RF357360	Carbon Resistor (chip)	36K D 1608	チ ッ プ 抵 抗		01
R617	RF357470	Carbon Resistor (chip)	47K D 1608	チ ッ プ 抵 抗		01
R618	HV754220	Flame Proof C.Resistor	22 1/4W J	不 燃 化 力 ー ボ ン 抵 抗		01
R619	HV754220	Flame Proof C.Resistor	22 1/4W J	不 燃 化 力 ー ボ ン 抵 抗		01
R620	RD358100	Carbon Resistor (chip)	100K 63M J	チ ッ プ 抵 抗		01
R621	RD356100	Carbon Resistor (chip)	1.0K 63M J	チ ッ プ 抵 抗		01
R622	RD356470	Carbon Resistor (chip)	4.7K 63M J	チ ッ プ 抵 抗		01
R623	RD357680	Carbon Resistor (chip)	68K 63M J	チ ッ プ 抵 抗		01
-628	RD357680	Carbon Resistor (chip)	68K 63M J	チ ッ プ 抵 抗		01
R629	RD357300	Carbon Resistor (chip)	30K 63M J	チ ッ プ 抵 抗		01
R630	RD356100	Carbon Resistor (chip)	1.0K 63M J	チ ッ プ 抵 抗		01
R631	RD357680	Carbon Resistor (chip)	68K 63M J	チ ッ プ 抵 抗		01
R632	RD356470	Carbon Resistor (chip)	4.7K 63M J	チ ッ プ 抵 抗		01
R633	RD357470	Carbon Resistor (chip)	47K 63M J	チ ッ プ 抵 抗		01
R637	RD356470	Carbon Resistor (chip)	4.7K 63M J	チ ッ プ 抵 抗		01
R638	RD357100	Carbon Resistor (chip)	10K 63M J	チ ッ プ 抵 抗		01
R639	RF355240	Carbon Resistor (chip)	240 D 1608	チ ッ プ 抵 抗		01
R640	RF355240	Carbon Resistor (chip)	240 D 1608	チ ッ プ 抵 抗		01
R641	RF356220	Carbon Resistor (chip)	2.2K D 1608	チ ッ プ 抵 抗		01
R642	RF356220	Carbon Resistor (chip)	2.2K D 1608	チ ッ プ 抵 抗		01
R643	RD359100	Carbon Resistor (chip)	1.0M 63M J	チ ッ プ 抵 抗		01
R644	RD359100	Carbon Resistor (chip)	1.0M 63M J	チ ッ プ 抵 抗		01
R646	RD357100	Carbon Resistor (chip)	10K 63M J	チ ッ プ 抵 抗		01
R647	RF356470	Carbon Resistor (chip)	4.7K D 1608	チ ッ プ 抵 抗		01
R648	RF356470	Carbon Resistor (chip)	4.7K D 1608	チ ッ プ 抵 抗		01
R649	RD356300	Carbon Resistor (chip)	3.0K 63M J	チ ッ プ 抵 抗		01
R650	RD356300	Carbon Resistor (chip)	3.0K 63M J	チ ッ プ 抵 抗		01
R651	RD357240	Carbon Resistor (chip)	24K 63M J	チ ッ プ 抵 抗		01
R652	RD356470	Carbon Resistor (chip)	4.7K 63M J	チ ッ プ 抵 抗		01
R654	RD357100	Carbon Resistor (chip)	10K 63M J	チ ッ プ 抵 抗		01
R656	RD357100	Carbon Resistor (chip)	10K 63M J	チ ッ プ 抵 抗		01
R657	RD357100	Carbon Resistor (chip)	10K 63M J	チ ッ プ 抵 抗		01
R658	RD354180	Carbon Resistor (chip)	18 63M J	チ ッ プ 抵 抗		01
R659	RD357100	Carbon Resistor (chip)	10K 63M J	チ ッ プ 抵 抗		01
R660	RD357180	Carbon Resistor (chip)	18K 63M J	チ ッ プ 抵 抗		01
R661	RD356130	Carbon Resistor (chip)	1.3K 63M J	チ ッ プ 抵 抗		01
R662	RD357330	Carbon Resistor (chip)	33K 63M J	チ ッ プ 抵 抗		01
R663	RD357300	Carbon Resistor (chip)	30K 63M J	チ ッ プ 抵 抗		01
R664	RD357330	Carbon Resistor (chip)	33K 63M J	チ ッ プ 抵 抗		01
R665	RD354180	Carbon Resistor (chip)	18 63M J	チ ッ プ 抵 抗		01
R666	RD357100	Carbon Resistor (chip)	10K 63M J	チ ッ プ 抵 抗		01
R667	RD358560	Carbon Resistor (chip)	560K 63M J	チ ッ プ 抵 抗		01
R668	RD359100	Carbon Resistor (chip)	1.0M 63M J	チ ッ プ 抵 抗		01
R669	RD358220	Carbon Resistor (chip)	220K 63M J	チ ッ プ 抵 抗		01
R670	RD358560	Carbon Resistor (chip)	560K 63M J	チ ッ プ 抵 抗		01
R671	RD359100	Carbon Resistor (chip)	1.0M 63M J	チ ッ プ 抵 抗		01
R672	RD358220	Carbon Resistor (chip)	220K 63M J	チ ッ プ 抵 抗		01
R673	RD358560	Carbon Resistor (chip)	560K 63M J	チ ッ プ 抵 抗		01
R674	RD358560	Carbon Resistor (chip)	560K 63M J	チ ッ プ 抵 抗		01
R675	RD357300	Carbon Resistor (chip)	30K 63M J	チ ッ プ 抵 抗		01
R676	RD357100	Carbon Resistor (chip)	10K 63M J	チ ッ プ 抵 抗		01
R677	RD357100	Carbon Resistor (chip)	10K 63M J	チ ッ プ 抵 抗		01
R678	RD357240	Carbon Resistor (chip)	24K 63M J	チ ッ プ 抵 抗		01
R679	RD357240	Carbon Resistor (chip)	24K 63M J	チ ッ プ 抵 抗		01
R680	RD355220	Carbon Resistor (chip)	220 63M J	チ ッ プ 抵 抗		01
R681	RD355220	Carbon Resistor (chip)	220 63M J	チ ッ プ 抵 抗		01
R682	RD356220	Carbon Resistor (chip)	2.2K 63M J	チ ッ プ 抵 抗		01
R683	RD359100	Carbon Resistor (chip)	1.0M 63M J	チ ッ プ 抵 抗		01
R684	RD359100	Carbon Resistor (chip)	1.0M 63M J	チ ッ プ 抵 抗		01
R701	RD358100	Carbon Resistor (chip)	100K 63M J	チ ッ プ 抵 抗		01
-708	RD358100	Carbon Resistor (chip)	100K 63M J	チ ッ プ 抵 抗		01
R709	RD356100	Carbon Resistor (chip)	1.0K 63M J	チ ッ プ 抵 抗		01
R710	RD358100	Carbon Resistor (chip)	100K 63M J	チ ッ プ 抵 抗		01
R711	RD355100	Carbon Resistor (chip)	100 63M J	チ ッ プ 抵 抗		01
* R712	RA556100	Carbon Resistor (chip)	1.0K 1/10W F	チ ッ プ 抵 抗		01
R713	RD356220	Carbon Resistor (chip)	2.2K 63M J	チ ッ プ 抵 抗		01
R714	RD357200	Carbon Resistor (chip)	20K 63M J	チ ッ プ 抵 抗		01

*: New Parts

RANK: Japan only

REF NO.	PART NO.	DESCRIPTION	部 品 名	REMARKS	QTY	RANK
R715	RD355220	Carbon Resistor (chip) 220 63M J	チ ッ プ 抵 抗			01
R716	RD357100	Carbon Resistor (chip) 10K 63M J	チ ッ プ 抵 抗			01
R717	RD357220	Carbon Resistor (chip) 22K 63M J	チ ッ プ 抵 抗			01
R718	RD357220	Carbon Resistor (chip) 22K 63M J	チ ッ プ 抵 抗			01
R720	RD357100	Carbon Resistor (chip) 10K 63M J	チ ッ プ 抵 抗			01
R721	RF357110	Carbon Resistor (chip) 11K D 1608	チ ッ プ 抵 抗			01
R723	RF358100	Carbon Resistor (chip) 100K D 1608	チ ッ プ 抵 抗			01
R724	RD356150	Carbon Resistor (chip) 1.5K 63M J	チ ッ プ 抵 抗			01
-726	RD356150	Carbon Resistor (chip) 1.5K 63M J	チ ッ プ 抵 抗			01
R727	RD357180	Carbon Resistor (chip) 18K 63M J	チ ッ プ 抵 抗			01
R728	RD358100	Carbon Resistor (chip) 100K 63M J	チ ッ プ 抵 抗			01
-731	RD358100	Carbon Resistor (chip) 100K 63M J	チ ッ プ 抵 抗			01
* R732	RA556150	Carbon Resistor (chip) 1.5K 1/10W F	チ ッ プ 抵 抗			01
* -734	RA556150	Carbon Resistor (chip) 1.5K 1/10W F	チ ッ プ 抵 抗			01
R735	RD358100	Carbon Resistor (chip) 100K 63M J	チ ッ プ 抵 抗			01
R736	RD358100	Carbon Resistor (chip) 100K 63M J	チ ッ プ 抵 抗			01
R737	RD355560	Carbon Resistor (chip) 560 63M J	チ ッ プ 抵 抗			01
R738	RD358100	Carbon Resistor (chip) 100K 63M J	チ ッ プ 抵 抗			01
R739	RD358100	Carbon Resistor (chip) 100K 63M J	チ ッ プ 抵 抗			01
R740	RD355560	Carbon Resistor (chip) 560 63M J	チ ッ プ 抵 抗			01
R741	RD358100	Carbon Resistor (chip) 100K 63M J	チ ッ プ 抵 抗			01
* R742	RD355100	Carbon Resistor (chip) 100 63M J	チ ッ プ 抵 抗			01
R743	RA556100	Carbon Resistor (chip) 1.0K 1/10W F	チ ッ プ 抵 抗			01
R744	RD356220	Carbon Resistor (chip) 2.2K 63M J	チ ッ プ 抵 抗			01
R745	RD357200	Carbon Resistor (chip) 20K 63M J	チ ッ プ 抵 抗			01
R746	RD355220	Carbon Resistor (chip) 220 63M J	チ ッ プ 抵 抗			01
R747	RD357100	Carbon Resistor (chip) 10K 63M J	チ ッ プ 抵 抗			01
R748	RD357220	Carbon Resistor (chip) 22K 63M J	チ ッ プ 抵 抗			01
R749	RD357360	Carbon Resistor (chip) 36K 63M J	チ ッ プ 抵 抗			01
R751	RD357220	Carbon Resistor (chip) 22K 63M J	チ ッ プ 抵 抗			01
R754	RF357110	Carbon Resistor (chip) 11K D 1608	チ ッ プ 抵 抗			01
R756	RF358100	Carbon Resistor (chip) 100K D 1608	チ ッ プ 抵 抗			01
R758	RD356150	Carbon Resistor (chip) 1.5K 63M J	チ ッ プ 抵 抗			01
-760	RD356150	Carbon Resistor (chip) 1.5K 63M J	チ ッ プ 抵 抗			01
R761	RD357180	Carbon Resistor (chip) 18K 63M J	チ ッ プ 抵 抗			01
R763	RD357100	Carbon Resistor (chip) 10K 63M J	チ ッ プ 抵 抗			01
R767	RF355160	Carbon Resistor (chip) 160 D 1608	チ ッ プ 抵 抗			01
R768	RF355160	Carbon Resistor (chip) 160 D 1608	チ ッ プ 抵 抗			01
R769	RD356100	Carbon Resistor (chip) 1.0K 63M J	チ ッ プ 抵 抗			01
R770	RD356470	Carbon Resistor (chip) 4.7K 63M J	チ ッ プ 抵 抗			01
R771	RD355680	Carbon Resistor (chip) 680 63M J	チ ッ プ 抵 抗			01
R801	RD355330	Carbon Resistor (chip) 330 63M J	チ ッ プ 抵 抗			01
R802	RD356330	Carbon Resistor (chip) 3.3K 63M J	チ ッ プ 抵 抗			01
R803	RD355220	Carbon Resistor (chip) 220 63M J	チ ッ プ 抵 抗			01
R804	RD356470	Carbon Resistor (chip) 4.7K 63M J	チ ッ プ 抵 抗			01
R805	RD155220	Carbon Resistor (chip) 220 1/4W J TP	チ ッ プ 抵 抗			01
R806	RD356100	Carbon Resistor (chip) 1.0K 63M J	チ ッ プ 抵 抗			01
-813	RD356100	Carbon Resistor (chip) 1.0K 63M J	チ ッ プ 抵 抗			01
R814	RD357470	Carbon Resistor (chip) 47K 63M J	チ ッ プ 抵 抗			01
-820	RD357470	Carbon Resistor (chip) 47K 63M J	チ ッ プ 抵 抗			01
R821	RD355100	Carbon Resistor (chip) 100 63M J	チ ッ プ 抵 抗			01
R822	RD357100	Carbon Resistor (chip) 10K 63M J	チ ッ プ 抵 抗			01
R823	RD155220	Carbon Resistor (chip) 220 1/4W J TP	チ ッ プ 抵 抗			01
R824	RD357470	Carbon Resistor (chip) 47K 63M J	チ ッ プ 抵 抗			01
-827	RD357470	Carbon Resistor (chip) 47K 63M J	チ ッ プ 抵 抗			01
R828	RD355100	Carbon Resistor (chip) 100 63M J	チ ッ プ 抵 抗			01
-835	RD355100	Carbon Resistor (chip) 100 63M J	チ ッ プ 抵 抗			01
R836	RD355220	Carbon Resistor (chip) 220 63M J	チ ッ プ 抵 抗			01
R837	RD356470	Carbon Resistor (chip) 4.7K 63M J	チ ッ プ 抵 抗			01
R838	RD357470	Carbon Resistor (chip) 47K 63M J	チ ッ プ 抵 抗			01
R901	RF357470	Carbon Resistor (chip) 47K D 1608	チ ッ プ 抵 抗			01
R902	RF357470	Carbon Resistor (chip) 47K D 1608	チ ッ プ 抵 抗			01
R903	RD357100	Carbon Resistor (chip) 10K 63M J	チ ッ プ 抵 抗			01
R904	RD357100	Carbon Resistor (chip) 10K 63M J	チ ッ プ 抵 抗			01
R905	RF357470	Carbon Resistor (chip) 47K D 1608	チ ッ プ 抵 抗			01
-912	RF357470	Carbon Resistor (chip) 47K D 1608	チ ッ プ 抵 抗			01
R913	RD357100	Carbon Resistor (chip) 10K 63M J	チ ッ プ 抵 抗			01
R914	RD357100	Carbon Resistor (chip) 10K 63M J	チ ッ プ 抵 抗			01
R915	RF357160	Carbon Resistor (chip) 16K D 1608	チ ッ プ 抵 抗			01
R916	RF357160	Carbon Resistor (chip) 16K D 1608	チ ッ プ 抵 抗			01
R919	RF357470	Carbon Resistor (chip) 47K D 1608	チ ッ プ 抵 抗			01
R920	RF357470	Carbon Resistor (chip) 47K D 1608	チ ッ プ 抵 抗			01
R921	RD357100	Carbon Resistor (chip) 10K 63M J	チ ッ プ 抵 抗			01
R922	RD357100	Carbon Resistor (chip) 10K 63M J	チ ッ プ 抵 抗			01
R923	RF357470	Carbon Resistor (chip) 47K D 1608	チ ッ プ 抵 抗			01

*: New Parts

RANK: Japan only

REF NO.	PART NO.	DESCRIPTION	部 品 名	REMARKS	QTY	RANK
-930	RF357470	Carbon Resistor (chip)	47K D 1608	チ ッ プ 抵 抗		01
R931	RD357100	Carbon Resistor (chip)	10K 63M J	チ ッ プ 抵 抗		01
R932	RD357100	Carbon Resistor (chip)	10K 63M J	チ ッ プ 抵 抗		01
R933	RF357330	Carbon Resistor (chip)	33K D 1608	チ ッ プ 抵 抗		01
R934	RF357330	Carbon Resistor (chip)	33K D 1608	チ ッ プ 抵 抗		01
R937	RF357470	Carbon Resistor (chip)	47K D 1608	チ ッ プ 抵 抗		01
R938	RF357470	Carbon Resistor (chip)	47K D 1608	チ ッ プ 抵 抗		01
R939	RD357100	Carbon Resistor (chip)	10K 63M J	チ ッ プ 抵 抗		01
R940	RD357100	Carbon Resistor (chip)	10K 63M J	チ ッ プ 抵 抗		01
R941	RF357470	Carbon Resistor (chip)	47K D 1608	チ ッ プ 抵 抗		01
-948	RF357470	Carbon Resistor (chip)	47K D 1608	チ ッ プ 抵 抗		01
R949	RD357100	Carbon Resistor (chip)	10K 63M J	チ ッ プ 抵 抗		01
R950	RD357100	Carbon Resistor (chip)	10K 63M J	チ ッ プ 抵 抗		01
R951	RF357750	Carbon Resistor (chip)	75K D 1608	チ ッ プ 抵 抗		01
R952	RF357750	Carbon Resistor (chip)	75K D 1608	チ ッ プ 抵 抗		01
R955	RD354100	Carbon Resistor (chip)	10 63M J	チ ッ プ 抵 抗		01
-960	RD354100	Carbon Resistor (chip)	10 63M J	チ ッ プ 抵 抗		01
RA802	RE047470	Resistor Array	47Kx4	抵 抗 ア レ イ		01
-805	RE047470	Resistor Array	47Kx4	抵 抗 ア レ イ		01
RA807	RE047470	Resistor Array	47Kx4	抵 抗 ア レ イ		01
RA809	RE047470	Resistor Array	47Kx4	抵 抗 ア レ イ		01
RA811	RE045100	Resistor Array	100x4	抵 抗 ア レ イ		01
RY401	WB170800	Relay	DC NA-12W-K	リ レ - 1 2 V		04
-403	WB170800	Relay	DC NA-12W-K	リ レ - 1 2 V		04
SP601	VZ956900	Speaker Terminal	STB-403AU 4P	ス ピ ー カ ー 端 子	SPEAKER	06
SP602	V8181700	Receptacle	NL4MD-H	レ セ プ タ ク ル 4 P	A CH	06
SP603	V8181700	Receptacle	NL4MD-H	レ セ プ タ ク ル 4 P	B CH	06
SW401	V6024900	Slide Switch	SSSF043NA1-YL	ス ラ イ ド S W	MODE	03
SW402	VR972100	Slide Switch	SSSF021500	ス ラ イ ド S W	HPF /20Hz	02
SW801	V8243300	Dip Switch	RPL-06	デ ィ ッ プ S W	AMP ID	03
SW802	VK705800	Slide Switch	SSS2 2-2	ス ラ イ ド S W	(RESERVE)	02
VR401	VR150500	Rotary Variable Resistor	5K RK271112	ロ ー タ リ ー V R	VOLUME A	07
VR402	VR150500	Rotary Variable Resistor	5K RK271112	ロ ー タ リ ー V R	VOLUME B	07
VR702	VA785900	Trimmer Potentiometer	B 1K 3P SERH0	半 固 定 V R	LEVEL METER ADJ.A	01
VR704	VA785900	Trimmer Potentiometer	B 1K 3P SERH0	半 固 定 V R	LEVEL METER ADJ.B	01
X801	V8249200	Quartz Crystal Unit	6.4512MHz AT-49	水 晶 振 動 子		03
					(X5704B0)	
	AAX69320	Circuit Board	PA10	シ ー ト P A 1 0		
C201	UA653150	Mylar Capacitor	1500P 50V J	マ イ ラ ー コ ン		01
C202	VR147100	Electrolytic Cap.	2.2 200V	ケ ミ コ ン		01
C203	VR147100	Electrolytic Cap.	2.2 200V	ケ ミ コ ン		01
C204	UU228220	Electrolytic Cap. FW	220 10V	ケ ミ コ ン F W		01
C205	FU451100	Mica Capacitor	10P 500V D	マ イ カ コ ン		01
C206	UA353220	Mylar Capacitor	2200P 50V J	マ イ ラ ー コ ン		01
C207	UR847100	Electrolytic Cap.	10 25V	ケ ミ コ ン		01
C208	FG644100	Ceramic Capacitor F	0.01 50V Z	セ ラ コ ン (F)		01
C209	FU451220	Mica Capacitor	22P 500V J	マ イ カ コ ン		01
C210	FU451220	Mica Capacitor	22P 500V J	マ イ カ コ ン		01
C211	UR896470	Electrolytic Cap.	4.7 100V	ケ ミ コ ン		01
C212	UR896470	Electrolytic Cap.	4.7 100V	ケ ミ コ ン		01
C213	FG644100	Ceramic Capacitor F	0.01 50V Z	セ ラ コ ン (F)		01
C214	FG644100	Ceramic Capacitor F	0.01 50V Z	セ ラ コ ン (F)		01
C215	UA353750	Mylar Capacitor	7500P 50V J	マ イ ラ ー コ ン		01
C216	UA353750	Mylar Capacitor	7500P 50V J	マ イ ラ ー コ ン		01
C217	WD724600	Ceramic Capacitor SL	22P 1KV J RX TP	セ ラ コ ン (S L)		01
C218	WD724600	Ceramic Capacitor SL	22P 1KV J RX TP	セ ラ コ ン (S L)		01
C219	VR147100	Electrolytic Cap.	2.2 200V	ケ ミ コ ン		01
C220	VR147100	Electrolytic Cap.	2.2 200V	ケ ミ コ ン		01
C221	WD707800	Ceramic Capacitor B	2200P 1KV K RX TP	セ ラ コ ン (B)		05
C222	V5097700	Mylar Capacitor	3.3 250V K	フ ィ ル ム コ ン		05
C223	V5097700	Mylar Capacitor	3.3 250V K	フ ィ ル ム コ ン		05
C224	VR147100	Electrolytic Cap.	2.2 200V	ケ ミ コ ン		01
C225	VR147100	Electrolytic Cap.	2.2 200V	ケ ミ コ ン		01
C226	WD707800	Ceramic Capacitor B	2200P 1KV K RX TP	セ ラ コ ン (B)		01
-228	WD707800	Ceramic Capacitor B	2200P 1KV K RX TP	セ ラ コ ン (B)		01
C229	WD552700	Electrolytic Cap. GU	220 200.0V	ケ ミ コ ン G U		01
C230	WD552700	Electrolytic Cap. GU	220 200.0V	ケ ミ コ ン G U		01
C231	WD707800	Ceramic Capacitor B	2200P 1KV K RX TP	セ ラ コ ン (B)		01
C232	UR866100	Electrolytic Cap.	1.0 50V	ケ ミ コ ン		01
C233	UA353750	Mylar Capacitor	7500P 50V J	マ イ ラ ー コ ン		01
C234	WD706500	Ceramic Capacitor SL	100P 1KV J RX TP	セ ラ コ ン (S L)		01
C235	WD706500	Ceramic Capacitor SL	100P 1KV J RX TP	セ ラ コ ン (S L)		01
CN201	VB389900	Connector	PH 3P TE	コ ネ ク タ ベ ー ス ポ ス ト		01
CN202	VB390200	Connector	PH 6P TE	コ ネ ク タ ベ ー ス ポ ス ト		01
CN203	VB858100	Connector	PH 2P SE	コ ネ ク タ ベ ー ス ポ ス ト		01

*: New Parts

RANK: Japan only

REF NO.	PART NO.	DESCRIPTION	部 品 名	REMARKS	QTY	RANK
CN204	VB858100	Connector	PH 2P SE	コネクタベースポスト		01
CN205	VB389800	Connector	PH 2P TE	コネクタベースポスト		01
D201	VD631600	Diode	1SS133,176,HSS104	ダイオード		01
-204	VD631600	Diode	1SS133,176,HSS104	ダイオード		01
D206	VQ469600	Diode	HSS82	ダイオード		01
D207	VQ469600	Diode	HSS82	ダイオード		01
D208	VG438100	Zener Diode	MTZ J 6.2C 6.2V	ツェナーダイオード		01
D209	VG438100	Zener Diode	MTZ J 6.2C 6.2V	ツェナーダイオード		01
D210	VQ469600	Diode	HSS82	ダイオード		01
D211	VQ469600	Diode	HSS82	ダイオード		01
D212	VD631600	Diode	1SS133,176,HSS104	ダイオード		01
D214	VD631600	Diode	1SS133,176,HSS104	ダイオード		01
D215	VD631600	Diode	1SS133,176,HSS104	ダイオード		01
D216	WD670200	Zener Diode	HZS2.7NB1TD-E 2.7V	ツェナーダイオード		01
D217	VG436500	Zener Diode	MTZ J 3.9A 3.9V	ツェナーダイオード		01
D218	VD631600	Diode	1SS133,176,HSS104	ダイオード		01
D219	VD631600	Diode	1SS133,176,HSS104	ダイオード		01
D220	VG438900	Zener Diode	MTZ J 8.2B 8.2V	ツェナーダイオード		01
D221	VQ469600	Diode	HSS82	ダイオード		01
D222	VQ469600	Diode	HSS82	ダイオード		01
D223	VG438400	Zener Diode	MTZ J 6.8C 6.8V	ツェナーダイオード		01
D224	VQ308300	Diode	D1NL40	ダイオード		02
D225	VQ469600	Diode	HSS82	ダイオード		01
D226	VQ469600	Diode	HSS82	ダイオード		01
D227	VQ308300	Diode	D1NL40	ダイオード		02
D228	VQ469600	Diode	HSS82	ダイオード		01
D229	VQ469600	Diode	HSS82	ダイオード		01
D230	VU264100	Diode	1SR139-400 T-32 TP	ダイオード		01
-233	VU264100	Diode	1SR139-400 T-32 TP	ダイオード		01
D236	VN478200	Diode	D1NL20U	ダイオード		01
-238	VN478200	Diode	D1NL20U	ダイオード		01
D239	VN771700	Diode	D1NS4	ダイオード		01
D240	VN771700	Diode	D1NS4	ダイオード		01
L201	V8936700	Coil	100uH 15A	コイル		01
L202	V8936700	Coil	100uH 15A	コイル		01
L203	GD900470	Coil	RZ-001 1.5uH	空芯コイル 1.5 uH		01
L204	GD900470	Coil	RZ-001 1.5uH	空芯コイル 1.5 uH		01
Q201	IC1815M0	Transistor	2SC1815 Y,GR	トランジスタ		01
Q202	VR152800	Transistor	2SA1480 E,F	トランジスタ		02
Q203	VR152800	Transistor	2SA1480 E,F	トランジスタ		02
Q204	VU418600	Transistor	2SC3468 D,E	トランジスタ		01
Q205	VR152800	Transistor	2SA1480 E,F	トランジスタ		02
Q206	IC1815M0	Transistor	2SC1815 Y,GR	トランジスタ		01
Q207	IC1815M0	Transistor	2SC1815 Y,GR	トランジスタ		01
Q208	IA101590	Transistor	2SA1015 O,Y	トランジスタ		01
Q209	V8093300	Transistor	2SA1924	トランジスタ		02
Q211	V8093400	Transistor	2SC3425	トランジスタ		03
Q213	VR152900	Transistor	2SC3790 E,F	トランジスタ		02
Q214	VR152800	Transistor	2SA1480 E,F	トランジスタ		02
Q217	VR152800	Transistor	2SA1480 E,F	トランジスタ		02
Q218	VR152900	Transistor	2SC3790 E,F	トランジスタ		02
Q219	V8093400	Transistor	2SC3425	トランジスタ		03
Q220	V8093300	Transistor	2SA1924	トランジスタ		02
Q221	VU418600	Transistor	2SC3468 D,E	トランジスタ		01
Q222	VU418400	Transistor	2SA1371 D,E	トランジスタ		01
Q223	V4096000	Transistor	2SA1770 S,T	トランジスタ		03
Q224	V4096100	Transistor	2SC4614 S,T	トランジスタ		02
Q225	V4096000	Transistor	2SA1770 S,T	トランジスタ		03
Q226	VI242900	Transistor	2SA1020-Y(TPE6) Y	トランジスタ		01
Q227	VI242900	Transistor	2SA1020-Y(TPE6) Y	トランジスタ		01
R201	HB026120	Metal Film Resistor	1.2K 1/4W F	金属被膜抵抗		01
R202	HF457240	Carbon Resistor	24K 1/4W J	カーボン抵抗		01
R203	HB026120	Metal Film Resistor	1.2K 1/4W F	金属被膜抵抗		01
R204	HF455560	Carbon Resistor	560 1/4W J	カーボン抵抗		01
R205	HF458330	Carbon Resistor	330K 1/4W J	カーボン抵抗		01
R206	HF455560	Carbon Resistor	560 1/4W J	カーボン抵抗		01
R207	HF457100	Carbon Resistor	10K 1/4W J	カーボン抵抗		01
R208	HF455560	Carbon Resistor	560 1/4W J	カーボン抵抗		01
R209	WE457600	Carbon Resistor	12K 1/3W F	カーボン抵抗		01
R210	WE457600	Carbon Resistor	12K 1/3W F	カーボン抵抗		01
R212	HF457120	Carbon Resistor	12K 1/4W J	カーボン抵抗		01
R213	HF457120	Carbon Resistor	12K 1/4W J	カーボン抵抗		01
R214	HF457360	Carbon Resistor	36K 1/4W J	カーボン抵抗		01
R215	HF455200	Carbon Resistor	200 1/4W J	カーボン抵抗		01
R216	HF455220	Carbon Resistor	220 1/4W J	カーボン抵抗		01

*: New Parts

RANK: Japan only

REF NO.	PART NO.	DESCRIPTION	部 品 名	REMARKS	QTY	RANK
R218	HF457360	Carbon Resistor	36K 1/4W J	力 ー ボ ン 抵 抗		01
R219	HF454750	Carbon Resistor	75 1/4W J	力 ー ボ ン 抵 抗		01
R220	HF457360	Carbon Resistor	36K 1/4W J	力 ー ボ ン 抵 抗		01
R223	HF455160	Carbon Resistor	160 1/4W J	力 ー ボ ン 抵 抗		01
R224	HV755470	Flame Proof C.Resistor	470 1/4W J	不 燃 化 力 ー ボ ン 抵 抗		01
R225	HV755470	Flame Proof C.Resistor	470 1/4W J	不 燃 化 力 ー ボ ン 抵 抗		01
R226	HF455160	Carbon Resistor	160 1/4W J	力 ー ボ ン 抵 抗		01
R228	HF455130	Carbon Resistor	130 1/4W J	力 ー ボ ン 抵 抗		01
R229	HF456180	Carbon Resistor	1.8K 1/4W J	力 ー ボ ン 抵 抗		01
R230	HF457160	Carbon Resistor	16K 1/4 J AX TP	力 ー ボ ン 抵 抗		01
* R231	HB028680	Metal Film Resistor	680K 1/4 F AX TP	金 属 被 膜 抵 抗		
R232	HB028100	Metal Film Resistor	100K 1/4 F AX TP	金 属 被 膜 抵 抗		
R233	HB027200	Metal Film Resistor	20K 1/4 F AX TP	金 属 被 膜 抵 抗		
R234	HB027200	Metal Film Resistor	20K 1/4 F AX TP	金 属 被 膜 抵 抗		
* R235	HB028680	Metal Film Resistor	680K 1/4 F AX TP	金 属 被 膜 抵 抗		
R236	HB028100	Metal Film Resistor	100K 1/4 F AX TP	金 属 被 膜 抵 抗		
R237	HF457160	Carbon Resistor	16K 1/4 J AX TP	力 ー ボ ン 抵 抗		01
R244	HF457680	Carbon Resistor	68K 1/4W J	力 ー ボ ン 抵 抗		01
-247	HF457680	Carbon Resistor	68K 1/4W J	力 ー ボ ン 抵 抗		01
R248	HV755220	Flame Proof C.Resistor	220 1/4W J	不 燃 化 力 ー ボ ン 抵 抗		01
R249	HV755220	Flame Proof C.Resistor	220 1/4W J	不 燃 化 力 ー ボ ン 抵 抗		01
R252	HF457220	Carbon Resistor	22K 1/4W J	力 ー ボ ン 抵 抗		01
R253	HF457220	Carbon Resistor	22K 1/4W J	力 ー ボ ン 抵 抗		01
R254	HV755270	Flame Proof C.Resistor	270 1/4W J	不 燃 化 力 ー ボ ン 抵 抗		01
R255	HV755270	Flame Proof C.Resistor	270 1/4W J	不 燃 化 力 ー ボ ン 抵 抗		01
R256	HV755330	Flame Proof C.Resistor	330 1/4W J	不 燃 化 力 ー ボ ン 抵 抗		01
R257	HV755330	Flame Proof C.Resistor	330 1/4W J	不 燃 化 力 ー ボ ン 抵 抗		01
R258	HV755470	Flame Proof C.Resistor	470 1/4W J	不 燃 化 力 ー ボ ン 抵 抗		01
R259	HV755470	Flame Proof C.Resistor	470 1/4W J	不 燃 化 力 ー ボ ン 抵 抗		01
R260	HV754220	Flame Proof C.Resistor	22 1/4W J	不 燃 化 力 ー ボ ン 抵 抗		01
-265	HV754220	Flame Proof C.Resistor	22 1/4W J	不 燃 化 力 ー ボ ン 抵 抗		01
R266	V4833200	Wire Wound Resistor	0.22 5W K	セ メ ン ト 抵 抗		01
R267	V4833200	Wire Wound Resistor	0.22 5W K	セ メ ン ト 抵 抗		01
R268	HV754220	Flame Proof C.Resistor	22 1/4W J	不 燃 化 力 ー ボ ン 抵 抗		01
-271	HV754220	Flame Proof C.Resistor	22 1/4W J	不 燃 化 力 ー ボ ン 抵 抗		01
R272	V4833200	Wire Wound Resistor	0.22 5W K	セ メ ン ト 抵 抗		01
R273	V4833200	Wire Wound Resistor	0.22 5W K	セ メ ン ト 抵 抗		01
R274	HV754220	Flame Proof C.Resistor	22 1/4W J	不 燃 化 力 ー ボ ン 抵 抗		01
-277	HV754220	Flame Proof C.Resistor	22 1/4W J	不 燃 化 力 ー ボ ン 抵 抗		01
R278	V4833200	Wire Wound Resistor	0.22 5W K	セ メ ン ト 抵 抗		01
R279	V4833200	Wire Wound Resistor	0.22 5W K	セ メ ン ト 抵 抗		01
R280	HV754220	Flame Proof C.Resistor	22 1/4W J	不 燃 化 力 ー ボ ン 抵 抗		01
-283	HV754220	Flame Proof C.Resistor	22 1/4W J	不 燃 化 力 ー ボ ン 抵 抗		01
R284	V4833200	Wire Wound Resistor	0.22 5W K	セ メ ン ト 抵 抗		01
R285	V4833200	Wire Wound Resistor	0.22 5W K	セ メ ン ト 抵 抗		01
R286	HV754220	Flame Proof C.Resistor	22 1/4W J	不 燃 化 力 ー ボ ン 抵 抗		01
-289	HV754220	Flame Proof C.Resistor	22 1/4W J	不 燃 化 力 ー ボ ン 抵 抗		01
R290	V4833200	Wire Wound Resistor	0.22 5W K	セ メ ン ト 抵 抗		01
R291	V4833200	Wire Wound Resistor	0.22 5W K	セ メ ン ト 抵 抗		01
R292	HV754220	Flame Proof C.Resistor	22 1/4W J	不 燃 化 力 ー ボ ン 抵 抗		01
-295	HV754220	Flame Proof C.Resistor	22 1/4W J	不 燃 化 力 ー ボ ン 抵 抗		01
R296	V4833200	Wire Wound Resistor	0.22 5W K	セ メ ン ト 抵 抗		01
R297	V4833200	Wire Wound Resistor	0.22 5W K	セ メ ン ト 抵 抗		01
R298	HV754220	Flame Proof C.Resistor	22 1/4W J	不 燃 化 力 ー ボ ン 抵 抗		01
-301	HV754220	Flame Proof C.Resistor	22 1/4W J	不 燃 化 力 ー ボ ン 抵 抗		01
R302	V4833200	Wire Wound Resistor	0.22 5W K	セ メ ン ト 抵 抗		01
R303	V4833200	Wire Wound Resistor	0.22 5W K	セ メ ン ト 抵 抗		01
R304	HF456560	Carbon Resistor	5.6K 1/4W J	力 ー ボ ン 抵 抗		01
R305	HF456560	Carbon Resistor	5.6K 1/4W J	力 ー ボ ン 抵 抗		01
R306	HV754220	Flame Proof C.Resistor	22 1/4W J	不 燃 化 力 ー ボ ン 抵 抗		01
R307	HV756220	Flame Proof C.Resistor	2.2K 1/4W J	不 燃 化 力 ー ボ ン 抵 抗		01
R308	HV756220	Flame Proof C.Resistor	2.2K 1/4W J	不 燃 化 力 ー ボ ン 抵 抗		01
R309	HV754220	Flame Proof C.Resistor	22 1/4W J	不 燃 化 力 ー ボ ン 抵 抗		01
R310	HV755150	Flame Proof C.Resistor	150 1/4W J	不 燃 化 力 ー ボ ン 抵 抗		01
R311	HV755150	Flame Proof C.Resistor	150 1/4W J	不 燃 化 力 ー ボ ン 抵 抗		01
R312	HV753100	Flame Proof C.Resistor	1.0 1/4W J	不 燃 化 力 ー ボ ン 抵 抗		01
R313	HV753100	Flame Proof C.Resistor	1.0 1/4W J	不 燃 化 力 ー ボ ン 抵 抗		01
R314	VZ370200	Wire Wound Resistor	0.1 5W K	セ メ ン ト 抵 抗		01
R315	HV753470	Flame Proof C.Resistor	4.7 1/4W J	不 燃 化 力 ー ボ ン 抵 抗		01
R316	VZ370200	Wire Wound Resistor	0.1 5W K	セ メ ン ト 抵 抗		01
R317	HV753100	Flame Proof C.Resistor	1.0 1/4W J	不 燃 化 力 ー ボ ン 抵 抗		01
R318	HV753100	Flame Proof C.Resistor	1.0 1/4W J	不 燃 化 力 ー ボ ン 抵 抗		01
R319	VZ370200	Wire Wound Resistor	0.1 5W K	セ メ ン ト 抵 抗		01
R320	HV753100	Flame Proof C.Resistor	1.0 1/4W J	不 燃 化 力 ー ボ ン 抵 抗		01
R321	VZ370200	Wire Wound Resistor	0.1 5W K	セ メ ン ト 抵 抗		01

*: New Parts

RANK: Japan only

REF NO.	PART NO.	DESCRIPTION	部 品 名	REMARKS	QTY	RANK
R322	HV753100	Flame Proof C.Resistor	1.0 1/4W J	不 燃 化 力 ー ボ ン 抵 抗		01
-324	HV753100	Flame Proof C.Resistor	1.0 1/4W J	不 燃 化 力 ー ボ ン 抵 抗		01
R325	VZ370200	Wire Wound Resistor	0.1 5W K	セ メ ン ト 抵 抗		01
R326	VZ370200	Wire Wound Resistor	0.1 5W K	セ メ ン ト 抵 抗		01
R327	HV754100	Flame Proof C.Resistor	10 1/4W J	不 燃 化 力 ー ボ ン 抵 抗		01
R328	HV754100	Flame Proof C.Resistor	10 1/4W J	不 燃 化 力 ー ボ ン 抵 抗		01
R329	HV755330	Flame Proof C.Resistor	330 1/4W J	不 燃 化 力 ー ボ ン 抵 抗		01
R330	VC763100	Metal Oxide Film Resistor	4.7K 2W J	酸 化 金 属 被 膜 抵 抗		01
R331	HV755330	Flame Proof C.Resistor	330 1/4W J	不 燃 化 力 ー ボ ン 抵 抗		01
R332	HV755100	Flame Proof C.Resistor	100 1/4W J	不 燃 化 力 ー ボ ン 抵 抗		01
R333	VC763100	Metal Oxide Film Resistor	4.7K 2W J	酸 化 金 属 被 膜 抵 抗		01
R334	HF454220	Carbon Resistor	22 1/4W J	力 ー ボ ン 抵 抗		01
R335	HV754100	Flame Proof C.Resistor	10 1/4W J	不 燃 化 力 ー ボ ン 抵 抗		01
R336	HV755220	Flame Proof C.Resistor	220 1/4W J	不 燃 化 力 ー ボ ン 抵 抗		01
R337	VC763100	Metal Oxide Film Resistor	4.7K 2W J	酸 化 金 属 被 膜 抵 抗		01
R338	HV755470	Flame Proof C.Resistor	470 1/4W J	不 燃 化 力 ー ボ ン 抵 抗		01
R339	HV754100	Flame Proof C.Resistor	10 1/4W J	不 燃 化 力 ー ボ ン 抵 抗		01
R340	HV754100	Flame Proof C.Resistor	10 1/4W J	不 燃 化 力 ー ボ ン 抵 抗		01
R341	HV753470	Flame Proof C.Resistor	4.7 1/4W J	不 燃 化 力 ー ボ ン 抵 抗		01
R342	HV754100	Flame Proof C.Resistor	10 1/4W J	不 燃 化 力 ー ボ ン 抵 抗		01
-345	HV754100	Flame Proof C.Resistor	10 1/4W J	不 燃 化 力 ー ボ ン 抵 抗		01
R346	HV755680	Flame Proof C.Resistor	680 1/4W J	不 燃 化 力 ー ボ ン 抵 抗		01
R347	HV755680	Flame Proof C.Resistor	680 1/4W J	不 燃 化 力 ー ボ ン 抵 抗		01
R348	HV753470	Flame Proof C.Resistor	4.7 1/4W J	不 燃 化 力 ー ボ ン 抵 抗		01
R350	HF455220	Carbon Resistor	220 1/4W J	力 ー ボ ン 抵 抗		01
R351	HF455220	Carbon Resistor	220 1/4W J	力 ー ボ ン 抵 抗		01
R352	HF457120	Carbon Resistor	12K 1/4W J	力 ー ボ ン 抵 抗		01
R353	HF455130	Carbon Resistor	130 1/4W J	力 ー ボ ン 抵 抗		01
R354	HF455160	Carbon Resistor	160 1/4W J	力 ー ボ ン 抵 抗		01
R355	HF457470	Carbon Resistor	47K 1/4W J	力 ー ボ ン 抵 抗		01
RY201	WB170800	Relay	DC NA-12W-K	リ レ ー 1 2 V		04
VR201	VA785800	Trimmer Potentiometer	B 470 3P SERHO	半 固 定 V R	IDLING ADJUSTMENT B	01
VR202	VA785800	Trimmer Potentiometer	B 470 3P SERHO	半 固 定 V R	IDLING ADJUSTMENT A	01
VR203	VA787300	Trimmer Potentiometer	B 220 3P RHEOA	半 固 定 V R	OFFSET ADJUSTMENT	01
W201	---	Connector Assembly	B+	束 線	(WD52280)	
W202	---	Connector Assembly	G	束 線	(WD52290)	
W203	---	Connector Assembly	B-	束 線	(WD52300)	
W204	---	Connector Assembly	OU	束 線	(WD52310)	
*	WD517900	Circuit Board	PS10J	シ ー ト P S 1 0 J	(X5689B0)	
*	WD518200	Circuit Board	PS10U	シ ー ト P S 1 0 U	(X5689B0)	
*	WD518300	Circuit Board	PS10H	シ ー ト P S 1 0 H	(X5689B0)	
*	WD518400	Circuit Board	PS10A	シ ー ト P S 1 0 A	(X5689B0)	
	---	Cord Holder	PLT2.5S	結 束 バ ン ド	(WD58490)	
	EG330380	Bind Head Screw	3x10 MFZN2BL	+ バ イ ン ド 小 ネ ジ		2 16 01
	V8929200	Fuse Holder	CQ-205SPP	ヒ ュ ー ズ ホ ル ダ	J,U,V,T	4
	WC050700	Fuse Clip	CLIP EYF52BCY	ヒ ュ ー ズ ク リ ッ プ	H,B,A,W,K,O	4 01
	---	Insulation Sheet	TBM51W T=0.15	放 熱 シ ー ト	(V874710)	4 01
	---	Connector Assembly	AE	束 線 A E	U,H,B,A,V,W,K,T,O (WD52270)	
	---	H/C-A Assembly	PC-N : COMMON	H / C - A A s s ' y	(WD65580)	2
	---	H/C-B Assembly	PC-N : COMMON	H / C - B A s s ' y	(WD65590)	2
	---	H/C-C Assembly	PC-N : COMMON	H / C - C A s s ' y	(WD65600)	
△	C101	V8638200	Capacitor	規 格 認 定 コ ン		03
	C103	UA355100	Mylar Capacitor	マ イ ラ ー コ ン		01
	C104	UA652470	Mylar Capacitor	マ イ ラ ー コ ン		01
	C105	UR857100	Electrolytic Cap.	ケ ミ コ ン		01
	C106	UA652470	Mylar Capacitor	マ イ ラ ー コ ン		01
	C107	UA652470	Mylar Capacitor	マ イ ラ ー コ ン		01
	C108	FG651220	Ceramic Capacitor SL	セ ラ コ ン (S L)		01
△	C110	V8638200	Capacitor	規 格 認 定 コ ン		03
	C111	UR857100	Electrolytic Cap.	ケ ミ コ ン		01
	C112	UR828470	Electrolytic Cap.	ケ ミ コ ン		01
△	C113	WD090900	Capacitor	規 格 認 定 コ ン		
△	C114	WD090900	Capacitor	規 格 認 定 コ ン		
	C115	UR838100	Electrolytic Cap.	ケ ミ コ ン		01
	C116	UR838100	Electrolytic Cap.	ケ ミ コ ン		01
△	C117	V8638200	Capacitor	規 格 認 定 コ ン		03
	C118	FG651220	Ceramic Capacitor SL	セ ラ コ ン (S L)		01
	C119	FG651220	Ceramic Capacitor SL	セ ラ コ ン (S L)		01
	C120	FG644100	Ceramic Capacitor F	セ ラ コ ン (F)		01
	C121	FG644100	Ceramic Capacitor F	セ ラ コ ン (F)		01
	C122	UR857100	Electrolytic Cap.	ケ ミ コ ン		01
	C123	UR857100	Electrolytic Cap.	ケ ミ コ ン		01
*	C124	WD538400	Electrolytic Cap. LQ	ケ ミ コ ン L Q J		
*	C124	WD538300	Electrolytic Cap. LQ	ケ ミ コ ン L Q	U,H,B,A,V,W,K,T,O	

*: New Parts

RANK: Japan only

REF NO.	PART NO.	DESCRIPTION	部 品 名	REMARKS	QTY	RANK
* C125	WD538400	Electrolytic Cap. LQ	3300 180V SNAP-IN	ケ ミ コ ン L Q	J	
* C125	WD538300	Electrolytic Cap. LQ	2200 200V SNAP-IN	ケ ミ コ ン L Q	J	
* C126	WD538400	Electrolytic Cap. LQ	3300 180V SNAP-IN	ケ ミ コ ン L Q	U,H,B,A,V,W,K,T,O	
* C126	WD538300	Electrolytic Cap. LQ	2200 200V SNAP-IN	ケ ミ コ ン L Q	J	
* C127	WD538400	Electrolytic Cap. LQ	3300 180V SNAP-IN	ケ ミ コ ン L Q	U,H,B,A,V,W,K,T,O	
* C127	WD538300	Electrolytic Cap. LQ	2200 200V SNAP-IN	ケ ミ コ ン L Q	J	
* C128	FG651220	Ceramic Capacitor SL	22P 50V J	セ ラ コ ン(S L)	U,H,B,A,V,W,K,T,O	01
* C129	WD538400	Electrolytic Cap. LQ	3300 180V SNAP-IN	ケ ミ コ ン L Q	J	
* C129	WD538300	Electrolytic Cap. LQ	2200 200V SNAP-IN	ケ ミ コ ン L Q	U,H,B,A,V,W,K,T,O	
* C130	WD538400	Electrolytic Cap. LQ	3300 180V SNAP-IN	ケ ミ コ ン L Q	J	
* C130	WD538300	Electrolytic Cap. LQ	2200 200V SNAP-IN	ケ ミ コ ン L Q	U,H,B,A,V,W,K,T,O	
* C131	WD538400	Electrolytic Cap. LQ	3300 180V SNAP-IN	ケ ミ コ ン L Q	J	
* C131	WD538300	Electrolytic Cap. LQ	2200 200V SNAP-IN	ケ ミ コ ン L Q	U,H,B,A,V,W,K,T,O	
* C132	WD538400	Electrolytic Cap. LQ	3300 180V SNAP-IN	ケ ミ コ ン L Q	J	
* C132	WD538300	Electrolytic Cap. LQ	2200 200V SNAP-IN	ケ ミ コ ン L Q	U,H,B,A,V,W,K,T,O	
C133	FG651220	Ceramic Capacitor SL	22P 50V J	セ ラ コ ン(S L)		01
C134	UR857100	Electrolytic Cap.	10 35V	ケ ミ コ ン		01
C135	UR857100	Electrolytic Cap.	10 35V	ケ ミ コ ン		01
C136	UA355100	Mylar Capacitor	0.10 50V J	マ イ ラ ー コ ン		01
C137	UA355100	Mylar Capacitor	0.10 50V J	マ イ ラ ー コ ン		01
C138	FG644100	Ceramic Capacitor F	0.01 50V Z	セ ラ コ ン(F)		01
C139	FG644100	Ceramic Capacitor F	0.01 50V Z	セ ラ コ ン(F)		01
C140	V9136100	Polypropylene Capacitor	1.2 250V J	P P コ ン	J	
C140	V9135800	Polypropylene Capacitor	1.0 250V J	P P コ ン	U,H,B,A,V,W,K,T,O	02
C141	V9136100	Polypropylene Capacitor	1.2 250V J	P P コ ン	J	
C141	V9135800	Polypropylene Capacitor	1.0 250V J	P P コ ン	U,H,B,A,V,W,K,T,O	02
* C142	WD538500	Electrolytic Cap. PW	10 25V TE	ケ ミ コ ン P W		
* C143	WD538500	Electrolytic Cap. PW	10 25V TE	ケ ミ コ ン P W		
* C155	WD539100	Electrolytic Cap. VK	10000 16V	ケ ミ コ ン V K		
C156	UR858470	Electrolytic Cap.	470 35V	ケ ミ コ ン		01
C157	UR858470	Electrolytic Cap.	470 35V	ケ ミ コ ン		01
C158	UR857100	Electrolytic Cap.	10 35V	ケ ミ コ ン		01
-160	UR857100	Electrolytic Cap.	10 35V	ケ ミ コ ン		01
* C161	WD539200	Electrolytic Cap. PW	100 50V TE	ケ ミ コ ン P W		
* C162	WD539300	Electrolytic Cap. GU	560 200V	ケ ミ コ ン G U		
* -165	WD539300	Electrolytic Cap. GU	560 200V	ケ ミ コ ン G U		
C166	UR867470	Electrolytic Cap.	47 50V	ケ ミ コ ン		01
C167	UR857100	Electrolytic Cap.	10 35V	ケ ミ コ ン		01
-169	UR857100	Electrolytic Cap.	10 35V	ケ ミ コ ン		01
* C170	WD539400	Electrolytic Cap. PW	470 50V ST	ケ ミ コ ン P W		
* C171	WD539400	Electrolytic Cap. PW	470 50V ST	ケ ミ コ ン P W		
* C172	WD539300	Electrolytic Cap. GU	560 200V	ケ ミ コ ン G U		
* -175	WD539300	Electrolytic Cap. GU	560 200V	ケ ミ コ ン G U		
C176	UR867470	Electrolytic Cap.	47 50V	ケ ミ コ ン		01
C177	UR867470	Electrolytic Cap.	47 50V	ケ ミ コ ン		01
C178	UR857100	Electrolytic Cap.	10 35V	ケ ミ コ ン		01
C179	UR857100	Electrolytic Cap.	10 35V	ケ ミ コ ン		01
C180	UR866470	Electrolytic Cap.	4.7 50V	ケ ミ コ ン		01
C185	V7682400	Capacitor	1000P 250V J.U.C.S	規 格 認 定 コ ン K H		01
△ CN101	LB932040	Base Post Connector	VH- 4P TE	ベ ー ス ポ ス ト		01
CN102	VB390500	Connector	PH 9P TE	コ ネ ク タ ベ ー ス ポ ス ト		03
CN103	VB389800	Connector	PH 2P TE	コ ネ ク タ ベ ー ス ポ ス ト		01
CN104	VB389800	Connector	PH 2P TE	コ ネ ク タ ベ ー ス ポ ス ト		01
CN105	VZ005700	Fasten Terminal	TP82223-22	フ ェ ス ト ン 端 子		01
-110	VZ005700	Fasten Terminal	TP82223-22	フ ェ ス ト ン 端 子		01
△ CN111	VZ005700	Fasten Terminal	TP82223-22	フ ェ ス ト ン 端 子	J	01
△ CN112	VZ005700	Fasten Terminal	TP82223-22	フ ェ ス ト ン 端 子	J	01
D101	VR149900	Diode Stack	D25XB60 25A 600V	ダ イ オ ー ド ス タ ッ ク		06
D102	VR149900	Diode Stack	D25XB60 25A 600V	ダ イ オ ー ド ス タ ッ ク		06
D103	V8629800	Diode	AG01A WS	ダ イ オ ー ド		01
D104	V8629800	Diode	AG01A WS	ダ イ オ ー ド		01
D105	VN478200	Diode	D1NL20U	ダ イ オ ー ド		01
-108	VN478200	Diode	D1NL20U	ダ イ オ ー ド		01
D109	V8629700	Diode	RL3A	ダ イ オ ー ド		02
-112	V8629700	Diode	RL3A	ダ イ オ ー ド		02
D113	VU264100	Diode	1SR139-400 T-32 TP	ダ イ オ ー ド		01
-124	VU264100	Diode	1SR139-400 T-32 TP	ダ イ オ ー ド		01
D125	VN399500	Diode Stack	FMU-36S 20.0A 600V	ダ イ オ ー ド ス タ ッ ク		05
D126	V8498700	Diode Stack	FMU-36R 20.0A 600V	ダ イ オ ー ド ス タ ッ ク		04
D127	VN399500	Diode Stack	FMU-36S 20.0A 600V	ダ イ オ ー ド ス タ ッ ク		05
D128	V8498700	Diode Stack	FMU-36R 20.0A 600V	ダ イ オ ー ド ス タ ッ ク		04
D129	VN478200	Diode	D1NL20U	ダ イ オ ー ド		01
-134	VN478200	Diode	D1NL20U	ダ イ オ ー ド		01
D135	VU264100	Diode	1SR139-400 T-32 TP	ダ イ オ ー ド		01
-138	VU264100	Diode	1SR139-400 T-32 TP	ダ イ オ ー ド		01

*: New Parts

RANK: Japan only

REF NO.	PART NO.	DESCRIPTION	部 品 名	REMARKS	QTY	RANK
D139	VN771700	Diode	D1NS4	ダイオード		01
D140	VN771700	Diode	D1NS4	ダイオード		01
D141	VG437700	Zener Diode	MTZ J 5.6B 5.6V	ツェナーダイオード		01
D142	VN478200	Diode	D1NL20U	ダイオード		01
D143	VN478200	Diode	D1NL20U	ダイオード		01
D144	VD631600	Diode	1SS133,176,HSS104	ダイオード		01
-147	VD631600	Diode	1SS133,176,HSS104	ダイオード		01
D148	VG440200	Zener Diode	MTZ J 12.0B 12.0V	ツェナーダイオード		01
F101	V8932000	Fuse	25A JU	ヒューズ	J	03
F101	V8932100	Fuse	20A JU 250V	ヒューズ 250V	U,V,T	03
F101	V5413700	Fuse	TH 10A 250V	ヒューズ 250V	H,B,A,W,K,O	01
F102	V8932000	Fuse	25A JU	ヒューズ	J	03
F102	V8932100	Fuse	20A JU 250V	ヒューズ 250V	U,V,T	03
F102	V5413700	Fuse	TH 10A 250V	ヒューズ 250V	H,B,A,W,K,O	01
IC101	X5952A00	IC	UC3525AN	I C	CONTROL	
IC103	X2382A00	IC	IR2110	I C	DRIVER	06
IC104	X2382A00	IC	IR2110	I C	DRIVER	06
IC105	XD853A00	IC	NJM7815FA	I C	REGULATOR +15V	03
IC106	XD854A00	IC	NJM7915FA	I C	REGULATOR -15V	03
IC107	XJ607A00	IC	NJM7805FA	I C	REGULATOR +5V	02
IC108	XD853A00	IC	NJM7815FA	I C	REGULATOR +15V	03
IC109	XD853A00	IC	NJM7815FA	I C	REGULATOR +15V	03
J101	---	Bus Bar	PC-N	バスバ	J,U,V,T (WD65630)	
J102	---	Bus Bar	PC-N	バスバ	J,U,V,T (WD65630)	
J103	---	Bus Bar	PC-N	バスバ	H,B,A,W,K,O (WD65630)	
J104	---	Bus Bar	PC-N	バスバ	J,U,V,T (WD65630)	
J105	---	Bus Bar	PC-N	バスバ	J,U,V,T (WD65630)	
J106	---	Bus Bar	PC-N	バスバ	H,B,A,W,K,O (WD65630)	
J107	---	Bus Bar	PC-N	バスバ	J,U,V,T (WD65630)	
JK101	V5817000	AC Inlet	HF-301L	A C インレット 3 P	U,H,B,A,V,W,K,T,O	02
K101	BB069510	Land Plate	#6951 A-8	ランド金具		01
L101	V8740400	Coil	SC-15-10JH	コイル	J,U,V,T	
L101	V8929300	Coil	SC-10-20JH	コイル	H,B,A,W,K,O	
L102	V8740400	Coil	SC-15-10JH	コイル	J,U,V,T	
L102	V9708500	Coil	FY10502MREZ	コイル 5 ミリ	H,B,A,W,K,O	10
L103	VR929200	Coil	10uH LH L 08TB100K	コイル 10 uH		01
-108	VR929200	Coil	10uH LH L 08TB100K	コイル 10 uH		01
PH101	V8100500	Photo Coupler	TLP421 GR	フォトカプラ		01
PR101	VL965100	Positive Thermistor	PTH9M04BE222TS2	ポジスタ		04
PR102	VL965100	Positive Thermistor	PTH9M04BE222TS2	ポジスタ		04
Q101	V2797700	Transistor	2SC5395 E,F	トランジスタ		01
Q102	V2797700	Transistor	2SC5395 E,F	トランジスタ		01
Q103	V2797600	Transistor	2SA1993 E,F	トランジスタ		01
Q104	V2797600	Transistor	2SA1993 E,F	トランジスタ		01
Q105	VV911900	Digital Transistor	DTC114ESA-TP	デジタルトランジスタ		01
Q106	V8629500	Transistor	IRG4PC50U	I G B T		08
Q107	V8629500	Transistor	IRG4PC50U	I G B T		08
Q108	VV911900	Digital Transistor	DTC114ESA-TP	デジタルトランジスタ		01
Q109	VD678500	Digital Transistor	DTA114ES	デジタルトランジスタ		01
Q110	VD678500	Digital Transistor	DTA114ES	デジタルトランジスタ		01
Q111	VV911900	Digital Transistor	DTC114ESA-TP	デジタルトランジスタ		01
Q112	VV911900	Digital Transistor	DTC114ESA-TP	デジタルトランジスタ		01
Q113	V8629500	Transistor	IRG4PC50U	I G B T		08
Q114	V8629500	Transistor	IRG4PC50U	I G B T		08
Q115	V2797700	Transistor	2SC5395 E,F	トランジスタ		01
Q116	V2797600	Transistor	2SA1993 E,F	トランジスタ		01
Q117	VC614000	Transistor	1274 R,S ST	トランジスタ		02
Q118	VI242900	Transistor	2SA1020-Y(TPE6) Y	トランジスタ		01
Q119	V2797700	Transistor	2SC5395 E,F	トランジスタ		01
R101	HF457100	Carbon Resistor	10K 1/4W J	カーボン抵抗		01
R102	HF458200	Carbon Resistor	200K 1/4W J	カーボン抵抗		01
R103	HB027180	Metal Film Resistor	18K 1/4W F	金属被膜抵抗		01
R104	HF458200	Carbon Resistor	200K 1/4W J	カーボン抵抗		01
R105	HF456330	Carbon Resistor	3.3K 1/4W J	カーボン抵抗		01
R106	HF456330	Carbon Resistor	3.3K 1/4W J	カーボン抵抗		01
R107	HF455330	Carbon Resistor	330 1/4W J	カーボン抵抗		01
R108	HF456330	Carbon Resistor	3.3K 1/4W J	カーボン抵抗		01
R109	HF456330	Carbon Resistor	3.3K 1/4W J	カーボン抵抗		01
R110	HF458200	Carbon Resistor	200K 1/4W J	カーボン抵抗		01
R111	HF457100	Carbon Resistor	10K 1/4W J	カーボン抵抗		01
R112	HF458100	Carbon Resistor	100K 1/4W J	カーボン抵抗		01
R113	HF458120	Carbon Resistor	120K 1/4W J	カーボン抵抗		01
R114	HF458120	Carbon Resistor	120K 1/4W J	カーボン抵抗		01
R115	HF058240	Carbon Resistor	240K 1/4W J	カーボン抵抗		01
R116	HF058240	Carbon Resistor	240K 1/4W J	カーボン抵抗		01

*: New Parts

RANK: Japan only

REF NO.	PART NO.	DESCRIPTION	部 品 名	REMARKS	QTY	RANK
R117	HF457220	Carbon Resistor	22K 1/4W J	力 ー ボ ン 抵 抗		01
R118	HF456470	Carbon Resistor	4.7K 1/4W J	力 ー ボ ン 抵 抗		01
R119	HF457220	Carbon Resistor	22K 1/4W J	力 ー ボ ン 抵 抗		01
R120	HF456470	Carbon Resistor	4.7K 1/4W J	力 ー ボ ン 抵 抗		01
R121	HF457100	Carbon Resistor	10K 1/4W J	力 ー ボ ン 抵 抗		01
-124	HF457100	Carbon Resistor	10K 1/4W J	力 ー ボ ン 抵 抗		01
R125	HF456470	Carbon Resistor	4.7K 1/4W J	力 ー ボ ン 抵 抗		01
R126	HF457220	Carbon Resistor	22K 1/4W J	力 ー ボ ン 抵 抗		01
R127	HF456470	Carbon Resistor	4.7K 1/4W J	力 ー ボ ン 抵 抗		01
R128	HF457220	Carbon Resistor	22K 1/4W J	力 ー ボ ン 抵 抗		01
△ R129	VN067400	Wire Wound Resistor	6.8 5W K	セ メ ン ト 抵 抗		03
R130	VC766300	Metal Oxide Film Resistor	100K 2W J	酸 化 金 属 被 膜 抵 抗		01
R132	VC766300	Metal Oxide Film Resistor	100K 2W J	酸 化 金 属 被 膜 抵 抗		01
R134	VC766300	Metal Oxide Film Resistor	100K 2W J	酸 化 金 属 被 膜 抵 抗		01
R136	VC766300	Metal Oxide Film Resistor	100K 2W J	酸 化 金 属 被 膜 抵 抗		01
R138	HV753470	Flame Proof C.Resistor	4.7 1/4W J	不 燃 化 力 ー ボ ン 抵 抗		01
R139	HV753470	Flame Proof C.Resistor	4.7 1/4W J	不 燃 化 力 ー ボ ン 抵 抗		01
R140	HV754100	Flame Proof C.Resistor	10 1/4W J	不 燃 化 力 ー ボ ン 抵 抗		01
-143	HV754100	Flame Proof C.Resistor	10 1/4W J	不 燃 化 力 ー ボ ン 抵 抗		01
R144	HF456330	Carbon Resistor	3.3K 1/4W J	力 ー ボ ン 抵 抗		01
R145	HF456330	Carbon Resistor	3.3K 1/4W J	力 ー ボ ン 抵 抗		01
R146	HF456470	Carbon Resistor	4.7K 1/4W J	力 ー ボ ン 抵 抗		01
R147	HF456470	Carbon Resistor	4.7K 1/4W J	力 ー ボ ン 抵 抗		01
R148	VZ370200	Wire Wound Resistor	0.1 5W K	セ メ ン ト 抵 抗		01
-153	VZ370200	Wire Wound Resistor	0.1 5W K	セ メ ン ト 抵 抗		01
R154	HF453680	Carbon Resistor	6.8 1/4W J	力 ー ボ ン 抵 抗		01
R155	HF457220	Carbon Resistor	22K 1/4W J	力 ー ボ ン 抵 抗		01
R156	VZ370200	Wire Wound Resistor	0.1 5W K	セ メ ン ト 抵 抗		01
R157	HF458100	Carbon Resistor	100K 1/4W J	力 ー ボ ン 抵 抗		01
R158	HF458100	Carbon Resistor	100K 1/4W J	力 ー ボ ン 抵 抗		01
R159	VZ370200	Wire Wound Resistor	0.1 5W K	セ メ ン ト 抵 抗		01
R160	HF457820	Carbon Resistor	82K 1/4W J	力 ー ボ ン 抵 抗		01
R161	HF456820	Carbon Resistor	8.2K 1/4W J	力 ー ボ ン 抵 抗		01
R162	HF456820	Carbon Resistor	8.2K 1/4W J	力 ー ボ ン 抵 抗		01
R163	HF455220	Carbon Resistor	220 1/4W J	力 ー ボ ン 抵 抗		01
R164	HF456330	Carbon Resistor	3.3K 1/4W J	力 ー ボ ン 抵 抗		01
R165	HF456130	Carbon Resistor	1.3K 1/4W J	力 ー ボ ン 抵 抗		01
R166	HV753220	Flame Proof C.Resistor	2.2 1/4W J	不 燃 化 力 ー ボ ン 抵 抗		01
R167	HV753220	Flame Proof C.Resistor	2.2 1/4W J	不 燃 化 力 ー ボ ン 抵 抗		01
R168	HF455300	Carbon Resistor	300 1/4W J	力 ー ボ ン 抵 抗		01
R169	HF458200	Carbon Resistor	200K 1/4W J	力 ー ボ ン 抵 抗		01
R170	HF456470	Carbon Resistor	4.7K 1/4W J	力 ー ボ ン 抵 抗		01
R171	HF456470	Carbon Resistor	4.7K 1/4W J	力 ー ボ ン 抵 抗		01
△ R172	VN067400	Wire Wound Resistor	6.8 5W K	セ メ ン ト 抵 抗		03
R173	HV753220	Flame Proof C.Resistor	2.2 1/4W J	不 燃 化 力 ー ボ ン 抵 抗		01
△ RY101	V8755500	Relay	HE1AN-P-DC24V	リ レ		09
△ SW101	VY898100	Push Switch	SDDFA3107U-YL UCS	プ ッ シ ュ S W	POWER	05
△ T101	X2384A00	Power Transformer	J 9V	電 源 ト ラ ン ス	J	06
△ T101	X2385A00	Power Transformer	U 9V	電 源 ト ラ ン ス	U,V,T	06
△ T101	X2386A00	Power Transformer	CE 9V	電 源 ト ラ ン ス	H,B,W,K,O	06
△ T101	X2387A00	Power Transformer	A 9V	電 源 ト ラ ン ス	A	06
△ T102	X2388A00	Power Transformer	J 20V	電 源 ト ラ ン ス	J	07
△ T102	X2389A00	Power Transformer	U 20V	電 源 ト ラ ン ス	U,V,T	07
△ T102	X2390A00	Power Transformer	CE 20V	電 源 ト ラ ン ス	H,B,W,K,O	07
△ T102	X2391A00	Power Transformer	A 20V	電 源 ト ラ ン ス	A	07
△ T103	X2392A00	Power Transformer		電 源 ト ラ ン ス	J	09
△ T103	X2393A00	Power Transformer	A CLASS2	電 源 ト ラ ン ス	U,A,V,T	09
△ T103	X2394A00	Power Transformer	A CLASS2	電 源 ト ラ ン ス	H,B,W,K,O	09
△ T104	X2392A00	Power Transformer		電 源 ト ラ ン ス	J	09
△ T104	X2393A00	Power Transformer	A CLASS2	電 源 ト ラ ン ス	U,A,V,T	09
△ T104	X2394A00	Power Transformer	A CLASS2	電 源 ト ラ ン ス	H,B,W,K,O	09
△ T105	X2583A00	Transformer	TTEI16-01	電 源 ト ラ ン ス	H,B,W,K,O	09
△ TH101	V8630000	Thermistor	M8R210CS 8.2	サ ミ ス タ		01
W101	---	Connector Assembly	PSW	束 線 P S W	(WD52260)	
W102	---	Connector Assembly		束 線	(WD52250)	
W103	---	Connector Assembly	E	束 線	(WD52250)	
	V8746700	Fan	FBA08A24H1TZ	D C フ ァ ン		2 09
	V9842200	AC Cord	2.0x3	電 源 コ ー ド	J	08

*: New Parts

RANK: Japan only

POWER AMPLIFIER

PC9501N

■ CONTENTS (目次)

IC OUTSIDE FIGURE (IC 外形図)	2
BLOCK DIAGRAM (ブロックダイアグラム)	3
WIRING DIAGRAM (基板結線図)	4
OVERALL CIRCUIT DIAGRAM 1/7 (IN10 1/5, IN10 3/5, IN10 5/5)	5
OVERALL CIRCUIT DIAGRAM 2/7 (IN10 1/5).....	6
OVERALL CIRCUIT DIAGRAM 3/7 (IN10 1/5).....	7
OVERALL CIRCUIT DIAGRAM 4/7 (IN10 2/5).....	8
OVERALL CIRCUIT DIAGRAM 5/7 (IN10 4/5).....	9
OVERALL CIRCUIT DIAGRAM 6/7 (PA10)	10
OVERALL CIRCUIT DIAGRAM 7/7 (PS10)	11

• Capacitor (コンデンサー)

(セ):	Ceramic Capacitor (セラコン)
(フ):	Mylar Capacitor (フィルムコン)
(マ):	Mylar Capacitor (マイラーコン)
(マイカ):	Mica Capacitor (マイカコン)
規格認定コン:	Capacitor (規格認定コン)

• Resistor (抵抗)

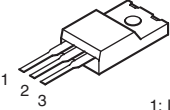
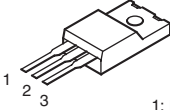
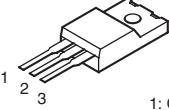
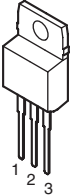
(フ):	Flame Proof C. Resistor (不燃化カーボン抵抗)
(F):	Metal Film Resistor (金属被膜抵抗)
酸金:	Metal Oxide Film Resistor (酸化金属被膜抵抗)
セメント:	Wire Wound Resistor (セメント抵抗)

■ WARNING (注意)

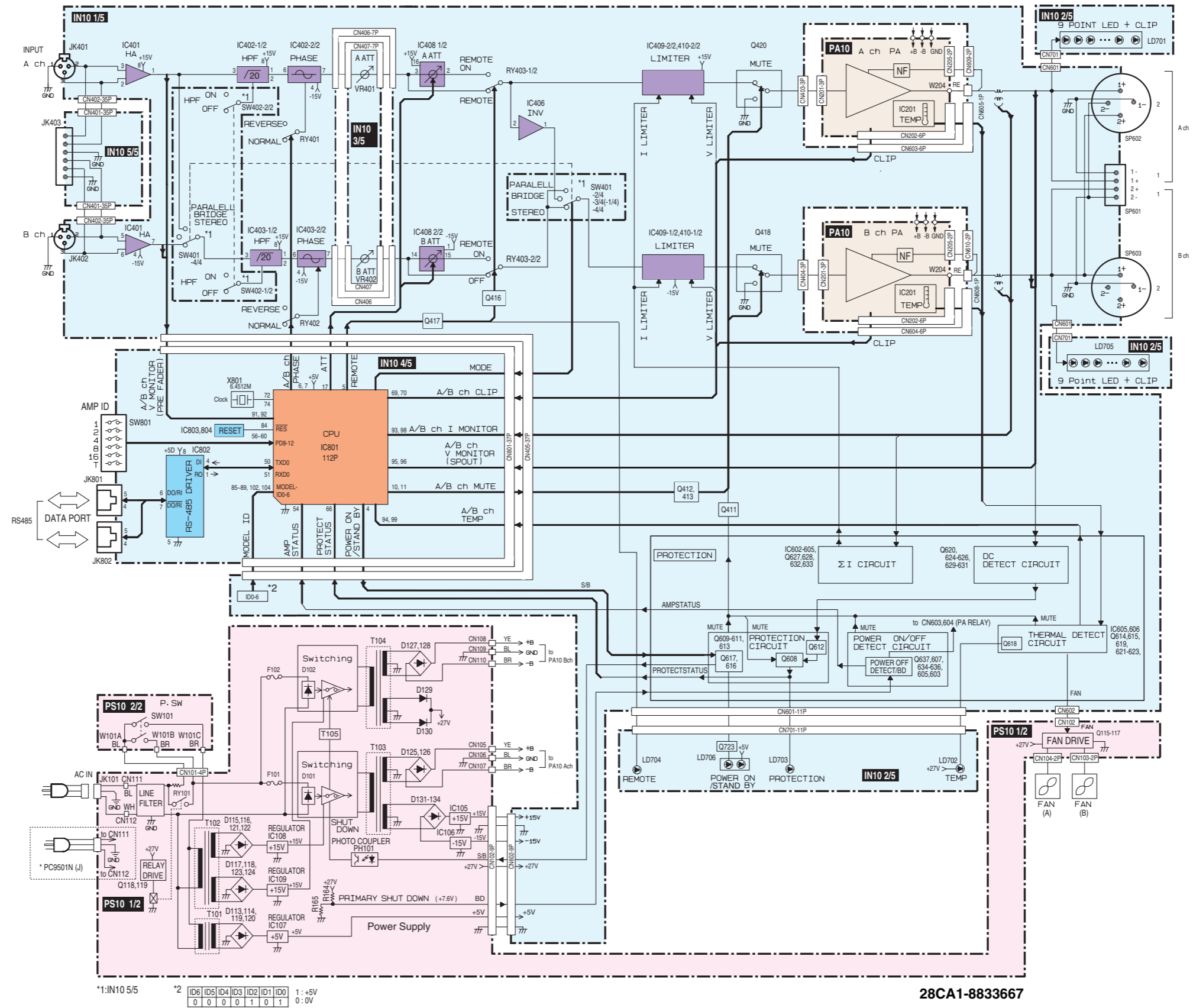
Components having special characteristics are marked \triangle and must be replaced with parts having specification equal to those originally installed.

\triangle 印の部品は、安全を維持するために重要な部品です。交換する場合は、安全のために必ず指定の部品をご使用ください。

■ IC OUTSIDE FIGURE (IC 外形図)

<ul style="list-style-type: none"> • NJM7805FA (XJ607A00) REGULATOR +5V PS10: IC107  <p>1: INPUT 2: GND 3: OUTPUT</p>	<ul style="list-style-type: none"> • NJM7815FA (XD853A00) REGULATOR +15V PS10: IC105, IC108, IC109  <p>1: INPUT 2: GND 3: OUTPUT</p>	<ul style="list-style-type: none"> • NJM7915FA (XD854A00) REGULATOR -15V PS10: IC106  <p>1: COMMON 2: INPUT 3: OUTPUT</p>
<ul style="list-style-type: none"> • LM35DT (X0670A00) Temperature Sensor PA10: IC201  <p>1: +Vs 2: GND 3: V_{OUT}</p>		

■ BLOCK DIAGRAM (ブロックダイアグラム)



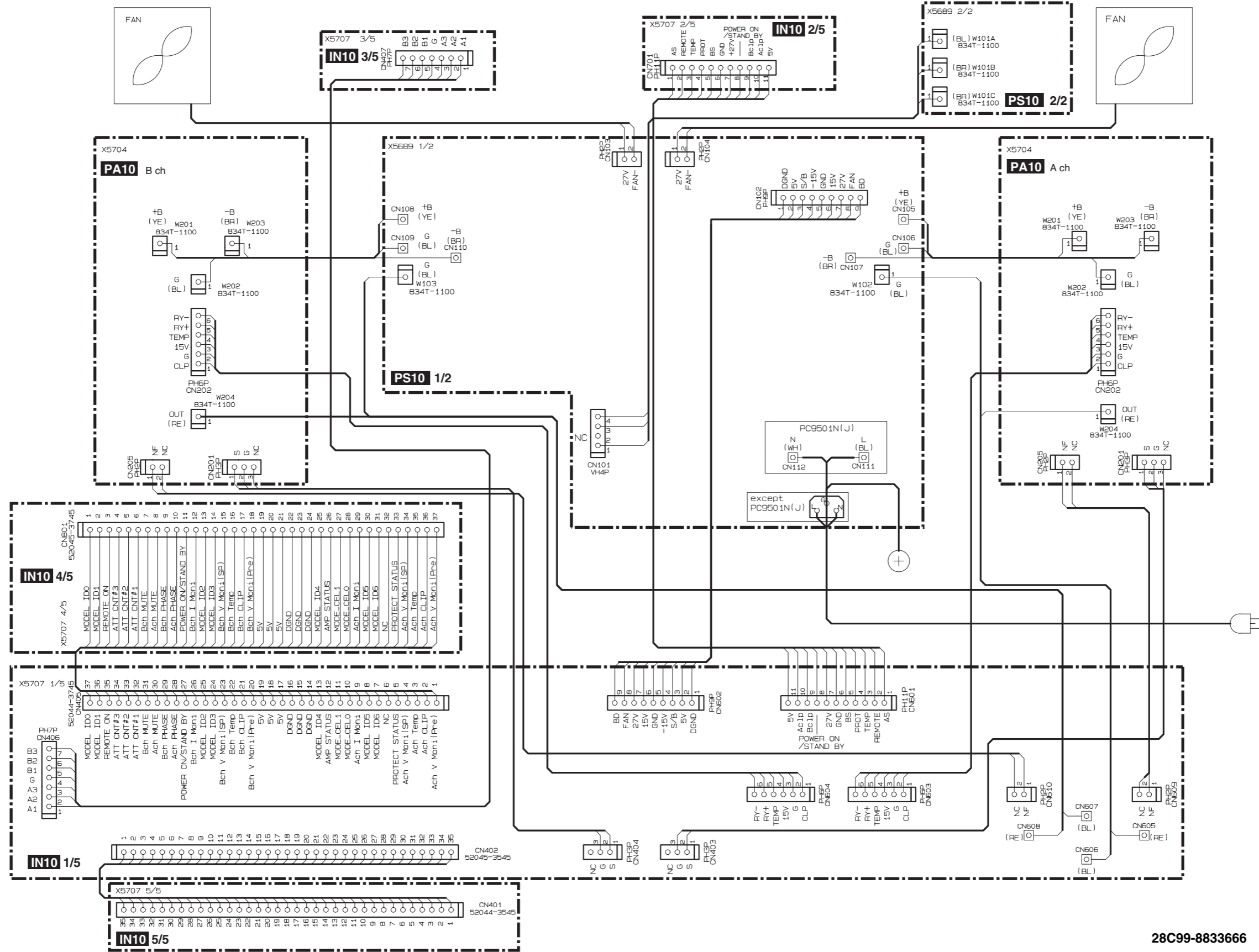
28CA1-8833667

*1: IN10 5/5 *2: ID6 ID5 ID4 ID3 ID2 ID1 ID0 1: +5V 0: 0V

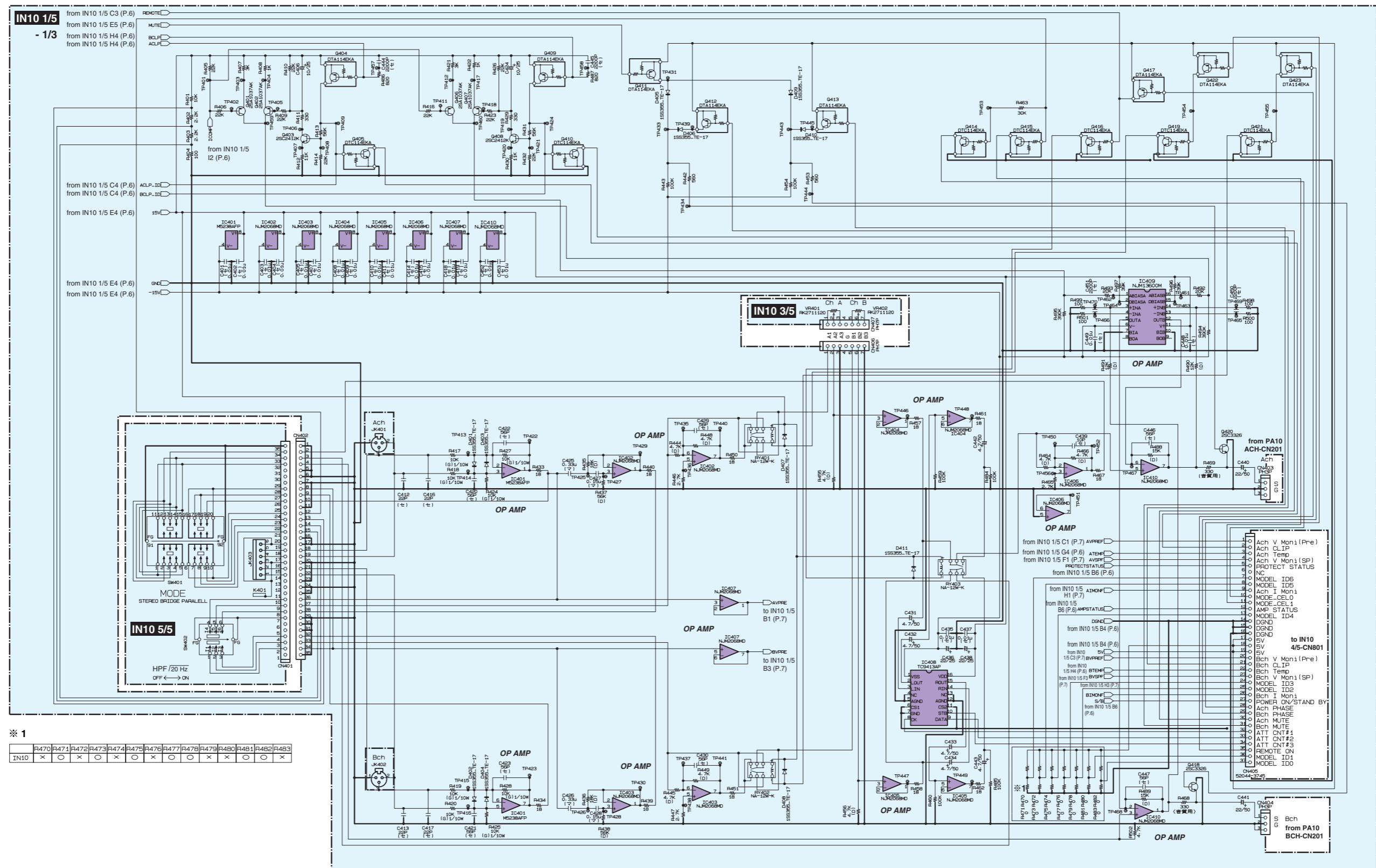
ID6	ID5	ID4	ID3	ID2	ID1	ID0
0	0	0	0	1	0	1

WIRING DIAGRAM (基板結線図)

PC9501N



28C99-8833666



※ 1

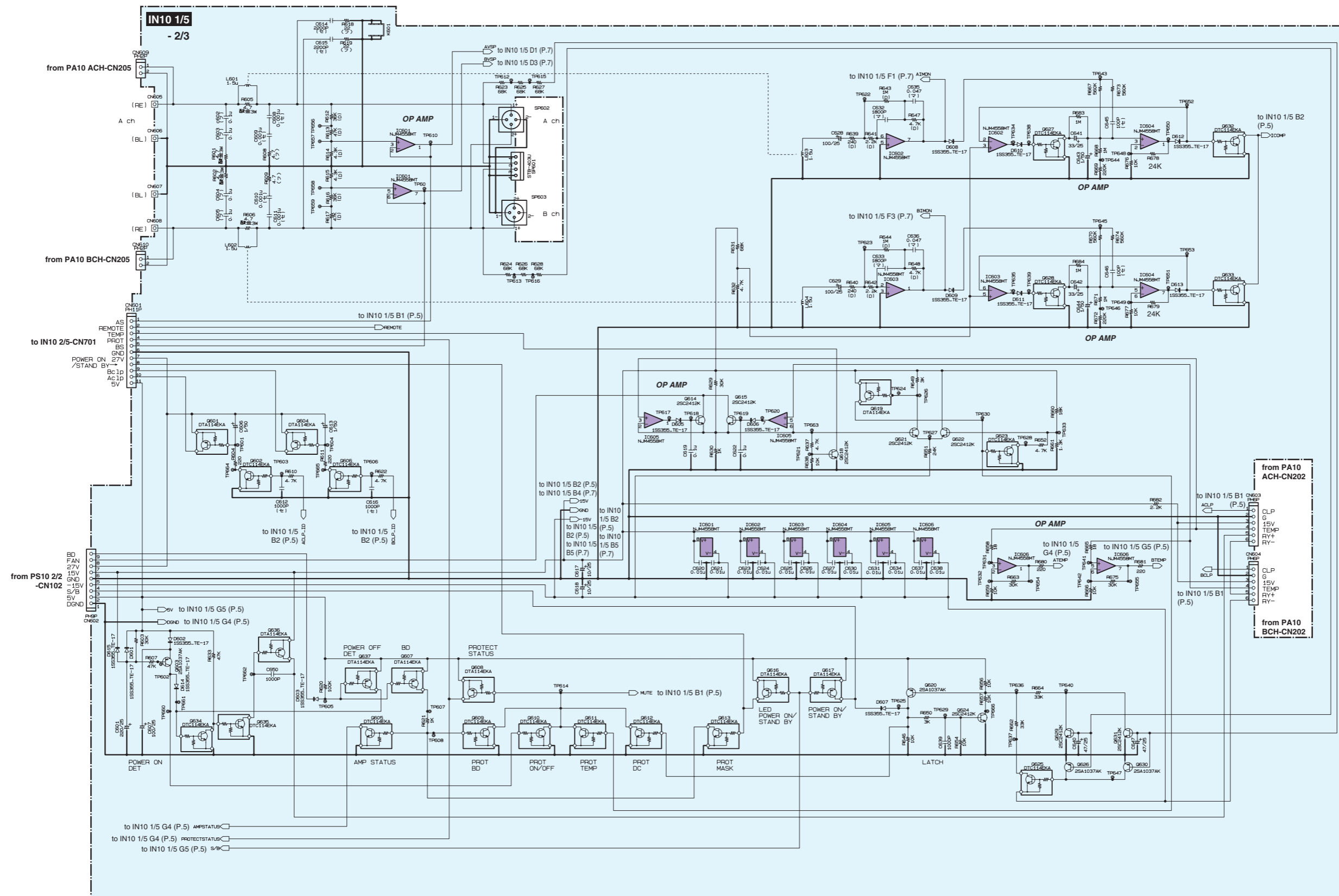
IN10	R470	R471	R472	R473	R474	R475	R476	R477	R478	R479	R480	R481	R482	R483
	X	O	X	O	X	O	X	O	X	O	X	O	X	O

(セ): Ceramic Capacitor (セラコン)
 (マ): Mylar Capacitor (マイラーコン)

Note: See parts list for details of circuit board component parts.
 注: シートの部品詳細はパーツリストをご参照ください。

28CC1-8833662

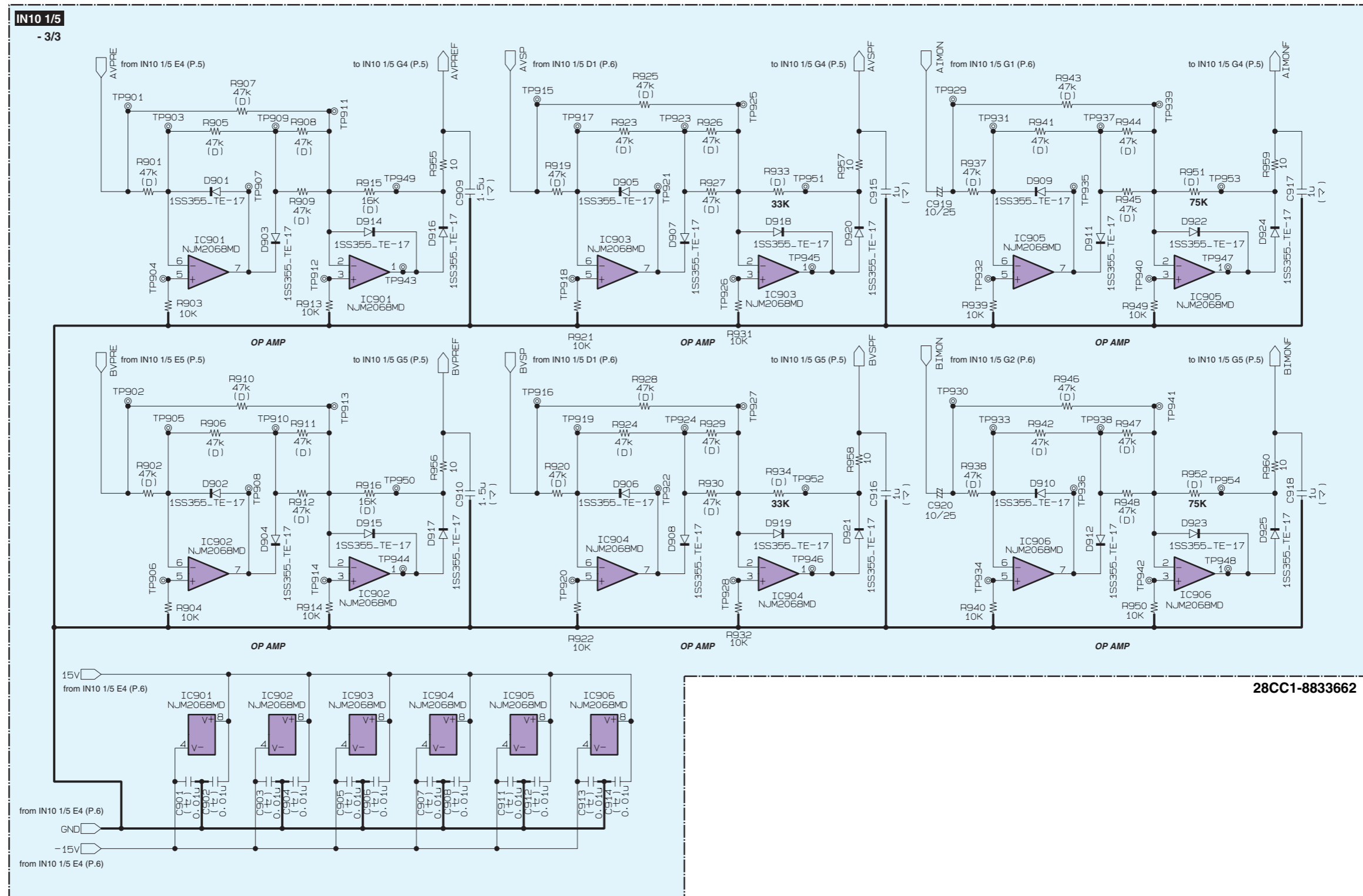
PC9501N OVERALL CIRCUIT DIAGRAM 2/7 (IN10 1/5)



(セ): Ceramic Capacitor (セラコン)
 (フ): Mylar Capacitor (フィルムコン)
 (マ): Mylar Capacitor (マイラーコン)

酸金: Metal Oxide Film Resistor (酸化金属被膜抵抗)
 (フ): Flame Proof C. Resistor (不燃化カーボン抵抗)

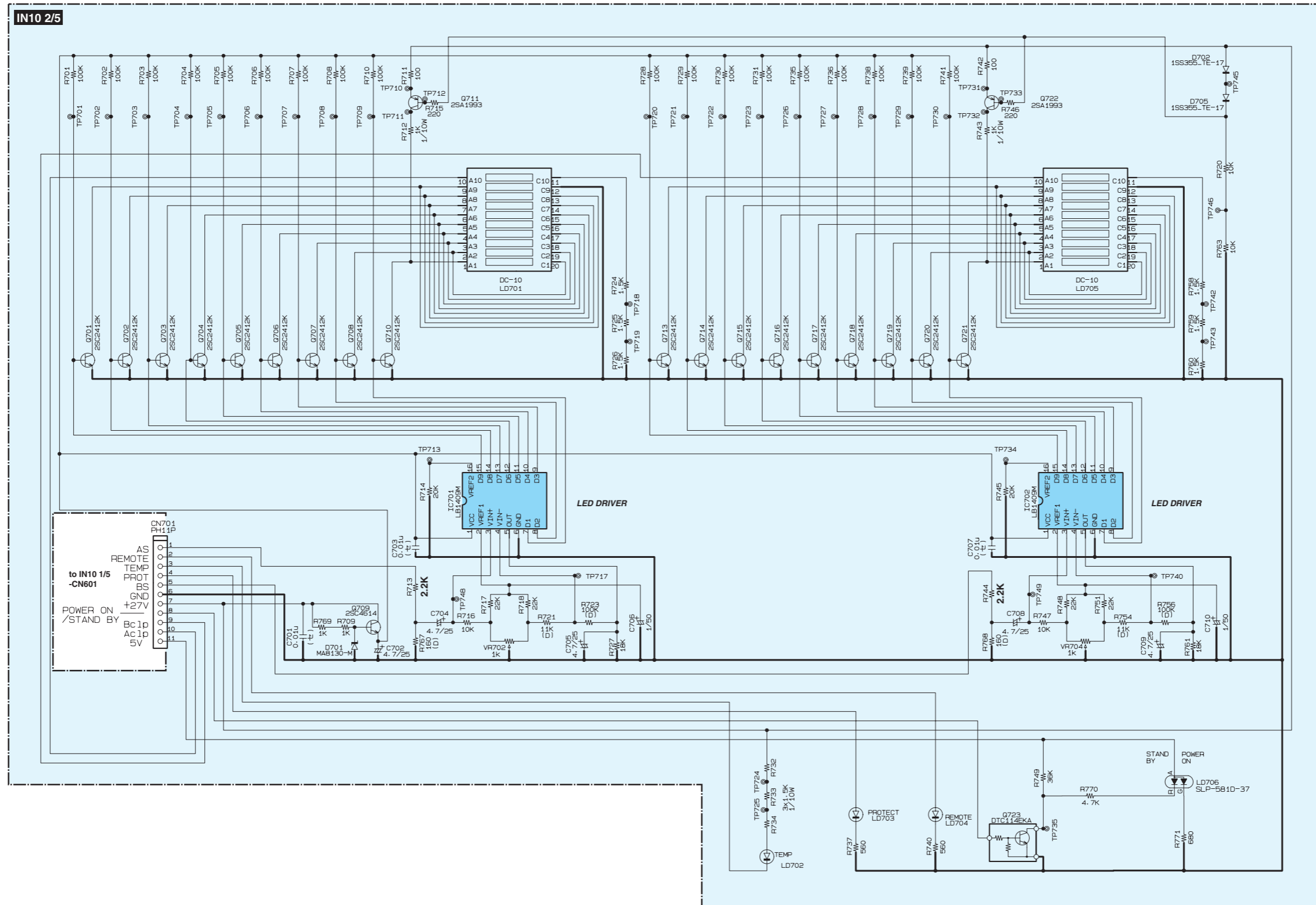
Note: See parts list for details of circuit board component parts. 28CC1-8833662
 注: シートの部品詳細はパーツリストをご参照ください。



(セ): Ceramic Capacitor (セラコン)
 (マ): Mylar Capacitor (マイラーコン)

Note: See parts list for details of circuit board component parts.
 注: シートの部品詳細はパーツリストをご参照ください。

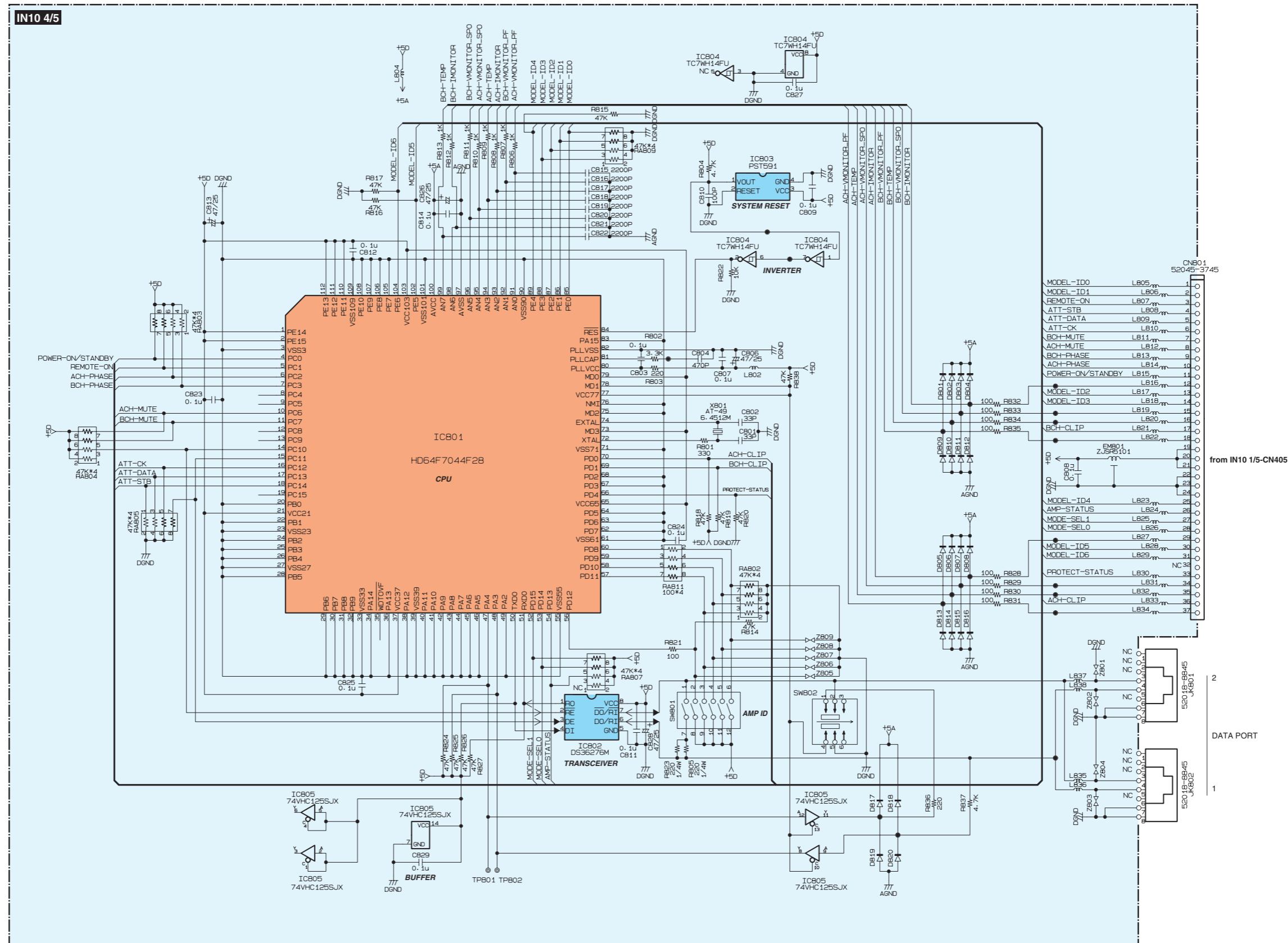
28CC1-8833662



Note: See parts list for details of circuit board component parts.
 注：シートの部品詳細はパーツリストをご参照ください。

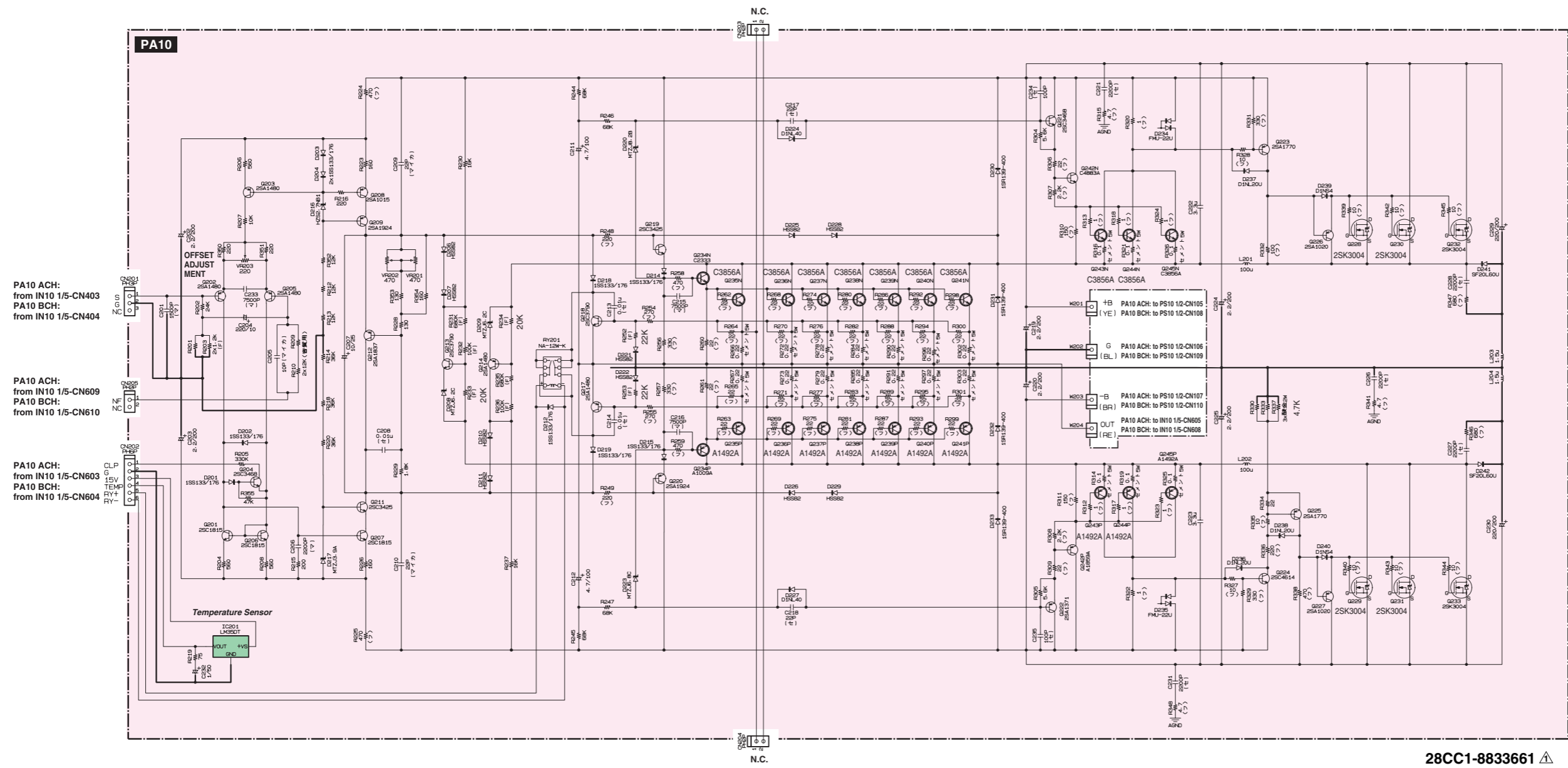
28CC1-8833662△

(セ)：Ceramic Capacitor (セラコン)



Note: See parts list for details of circuit board component parts.
 注：シートの部品詳細はパーツリストをご参照ください。

28CC1-8833662



28CC1-8833661

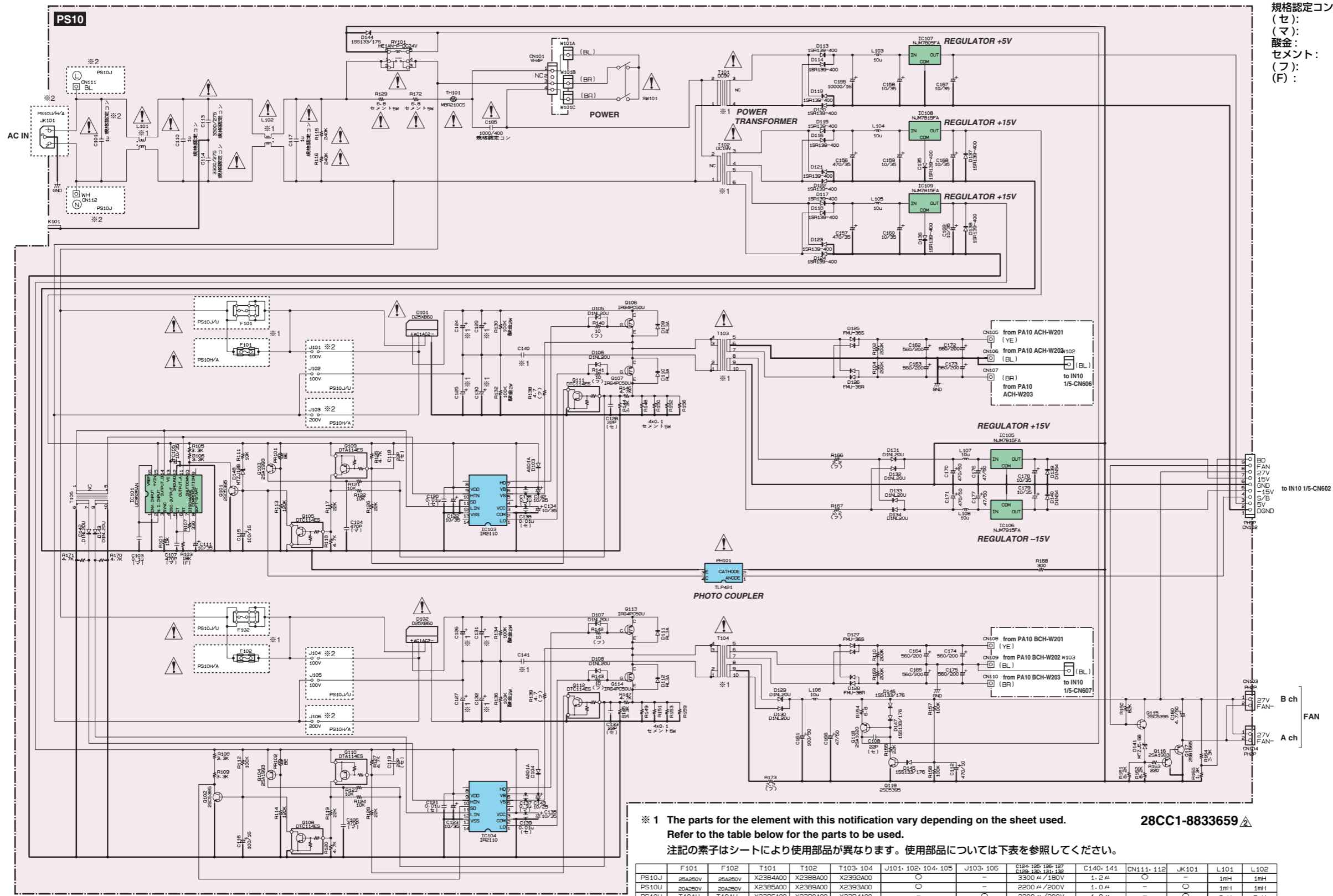
Note: See parts list for details of circuit board component parts.
 注：シートの部品詳細はパーツリストをご参照ください。

• LM35DT(X0670A00)
 Temperature Sensor
 IC201

1: +Vs
 2: GND
 3: Vout

- (セ): Ceramic Capacitor (セラコン)
- (マ): Mylar Capacitor (マイラーコン)
- (マイカ): Mica Capacitor (マイカコン)
- 酸化: Metal Oxide Film Resistor (酸化金属被膜抵抗)
- セメント: Wire Wound Resistor (セメント抵抗)
- (フ): Flame Proof C. Resistor (不燃化カーボン抵抗)
- (F): Metal Film Resistor (金属被膜抵抗)

PC9501N OVERALL CIRCUIT DIAGRAM 7/7 (PS10)



規格認定コン: Capacitor (規格認定コン)
 (セ): Ceramic Capacitor (セラコン)
 (マ): Mylar Capacitor (マイラーコン)
 酸金: Metal Oxide Film Resistor (酸化金属被膜抵抗)
 セメント: Wire Wound Resistor (セメント抵抗)
 (フ): Flame Proof C. Resistor (不燃化カーボン抵抗)
 (F): Metal Film Resistor (金属被膜抵抗)

- NJM7815FA (XD853A00)
REGULATOR +15V
IC105, IC108, IC109
- NJM7805FA (XJ607A00)
REGULATOR +5V
IC107

1: INPUT
2: GND
3: OUTPUT

- NJM7915FA (XD854A00)
REGULATOR -15V
IC106

1: COMMON
2: INPUT
3: OUTPUT

※1 The parts for the element with this notification vary depending on the sheet used. Refer to the table below for the parts to be used. 28CC1-8833659

注記の素子はシートにより使用部品が異なります。使用部品については下表を参照してください。

	F101	F102	T101	T102	T103, 104	J101, 102, 104, 105	J103, 106	C104, 141	CN111, 112	JK101	L101	L102
PS10J	28A250V	28A250V	X2384A00	X2384A00	X2393A00	○	-	3300 μ / 150V	1.2 μ	○	1mH	1mH
PS10U	20A250V	20A250V	X2385A00	X2385A00	X2393A00	○	-	2200 μ / 200V	1.0 μ	○	1mH	1mH
PS10H	T10AH	T10AH	X2386A00	X2390A00	X2394A00	-	○	2200 μ / 200V	1.0 μ	○	2mH	5mH
PS10A	T10AH	T10AH	X2387A00	X2391A00	X2393A00	-	○	2200 μ / 200V	1.0 μ	○	2mH	5mH

Note: See parts list for details of circuit board component parts.
 注: シートの部品詳細はパーツリストをご参照ください。

※2 The element in the dotted area is attached to the sheet indicated in this area.
 破線内の素子は、破線内部に記載されたシートにのみ取り付けられます。